

1

2

3

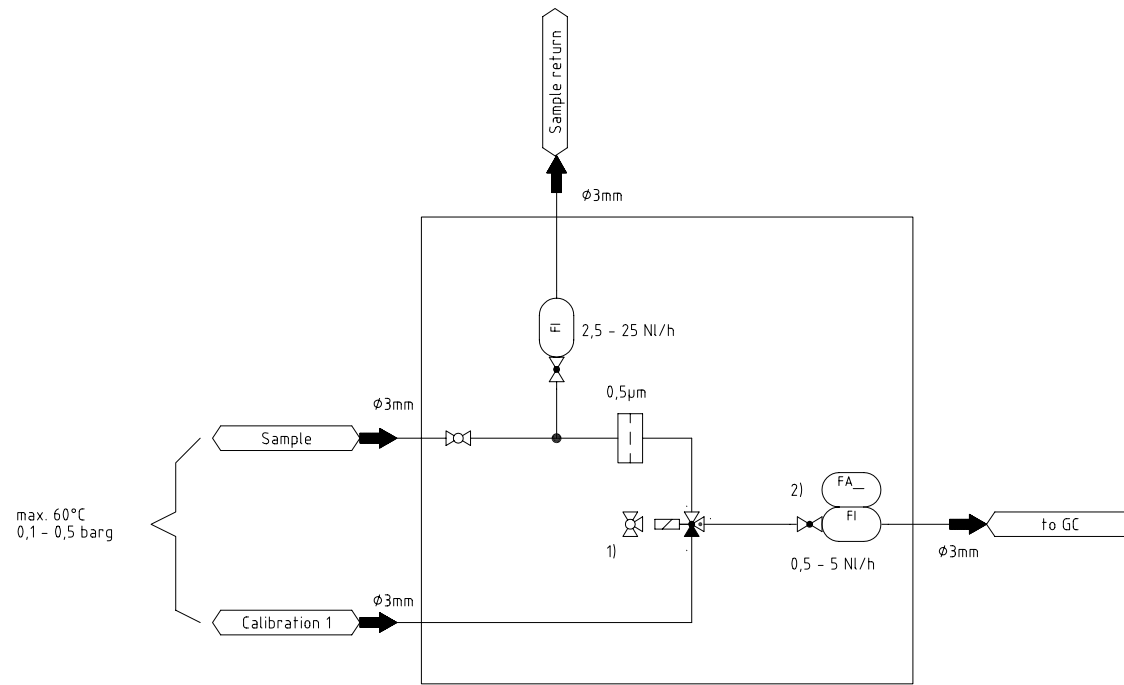
4

5

6

7

8



1) = Option manuell Calibration 7KQ2311-1AB1
 2) = Option without Sample flow alarm 7KQ2311-2AA1

No.	Revision	Date	Name	Date	Name	MicroSAM	SIEMENS	Tubing diagram Sample preparation device 7KQ2311-2AB1	Project No.	= G01		
			Design.	09.10.03	Neumann				Order No.	XX	Drawing No.	-G1
			checked		He				Page	1	4 p.	

1

2

3

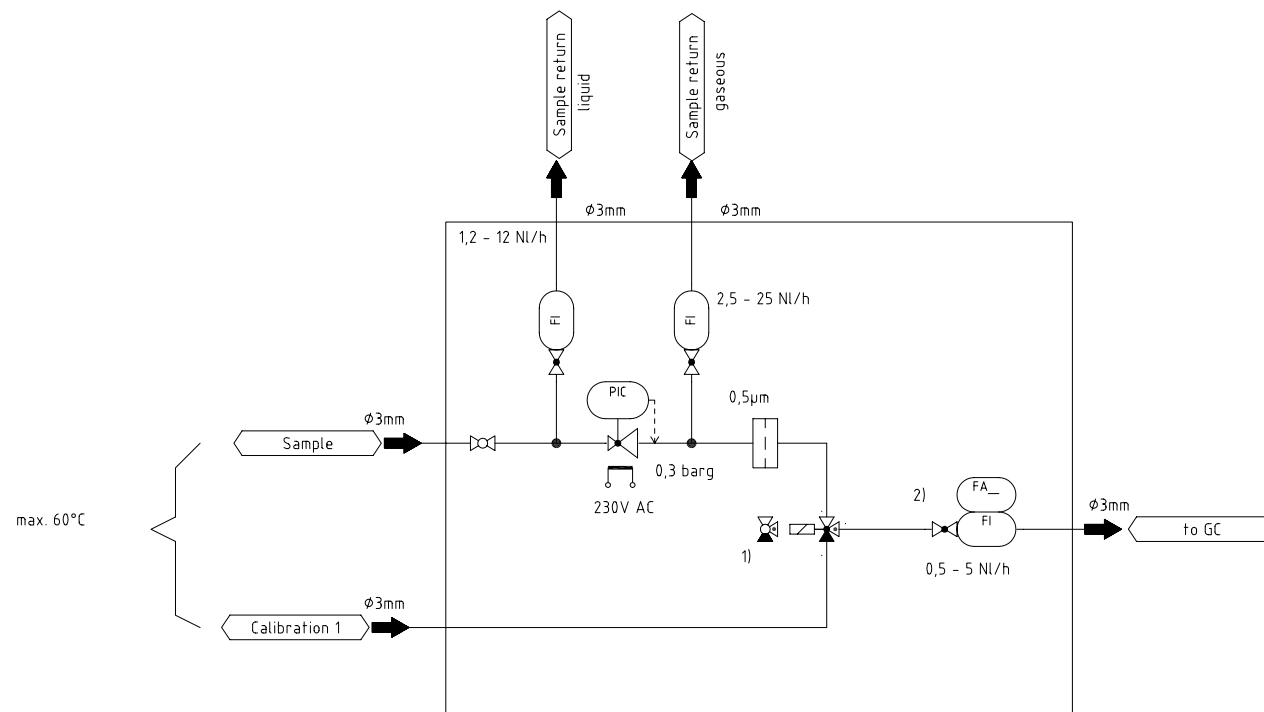
4

5

6

7

8



1) = Option manuell Calibration 7KQ2311-1CB1

2) = Option without Sample flow alarm 7KQ2311-2CA1

No.	Revision	Date	Name	Date	Name
			Design.	09.10.03	Neumann
			checked		He

MicroSAM

SIEMENS

Tubing diagram
Sample preparation device
7KQ2311-2CB1

Project No.

= G01

Order No.

XX

Drawing No.

-G1

Page 2
4. p.

1

2

3

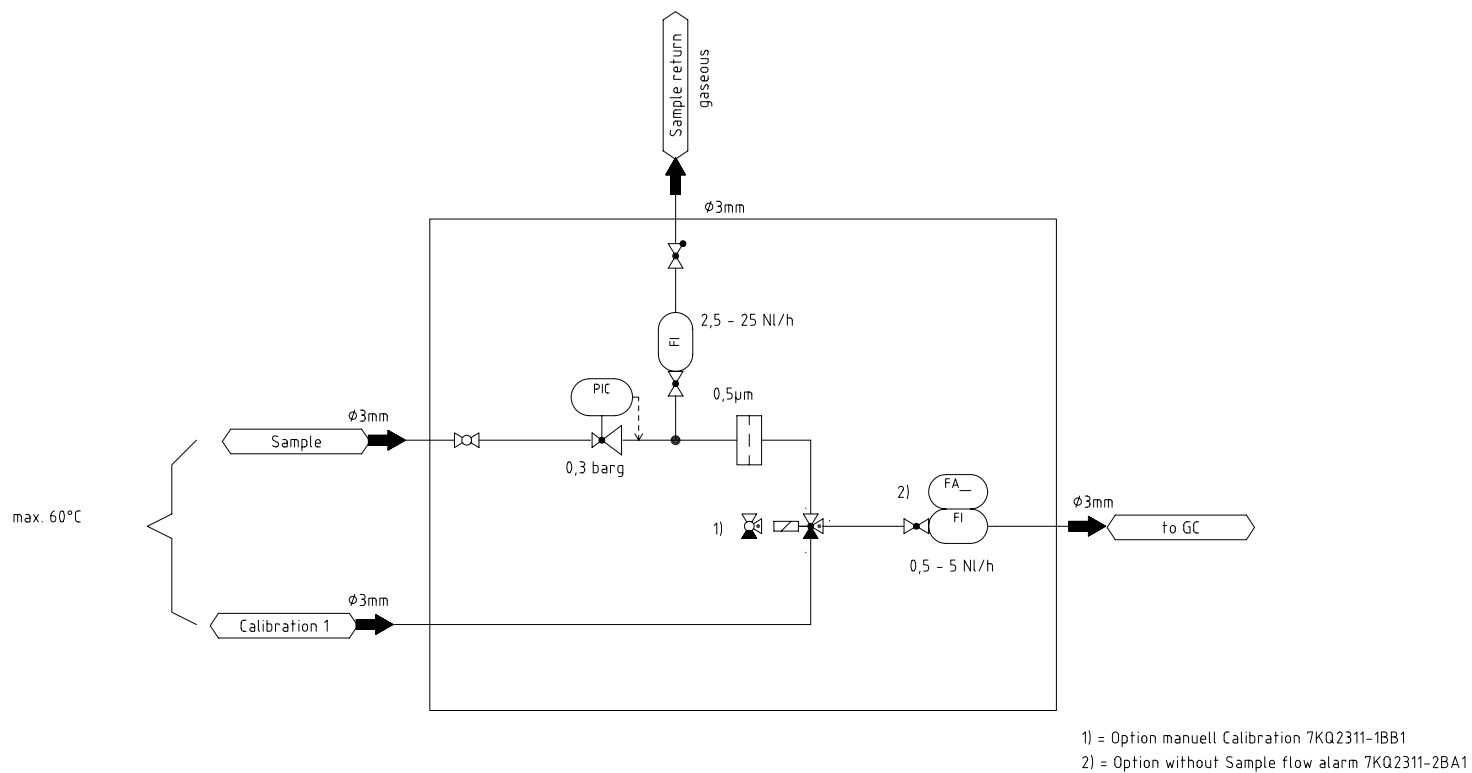
4

5

6

7

8



No.	Revision	Date	Name	Date	Name
			Design.	09.10.03	Neumann
			checked		He

MicroSAM

SIEMENS

Tubing diagram
Sample preparation device
7KQ2311-2BB1

Project No.

= G01

Order No.

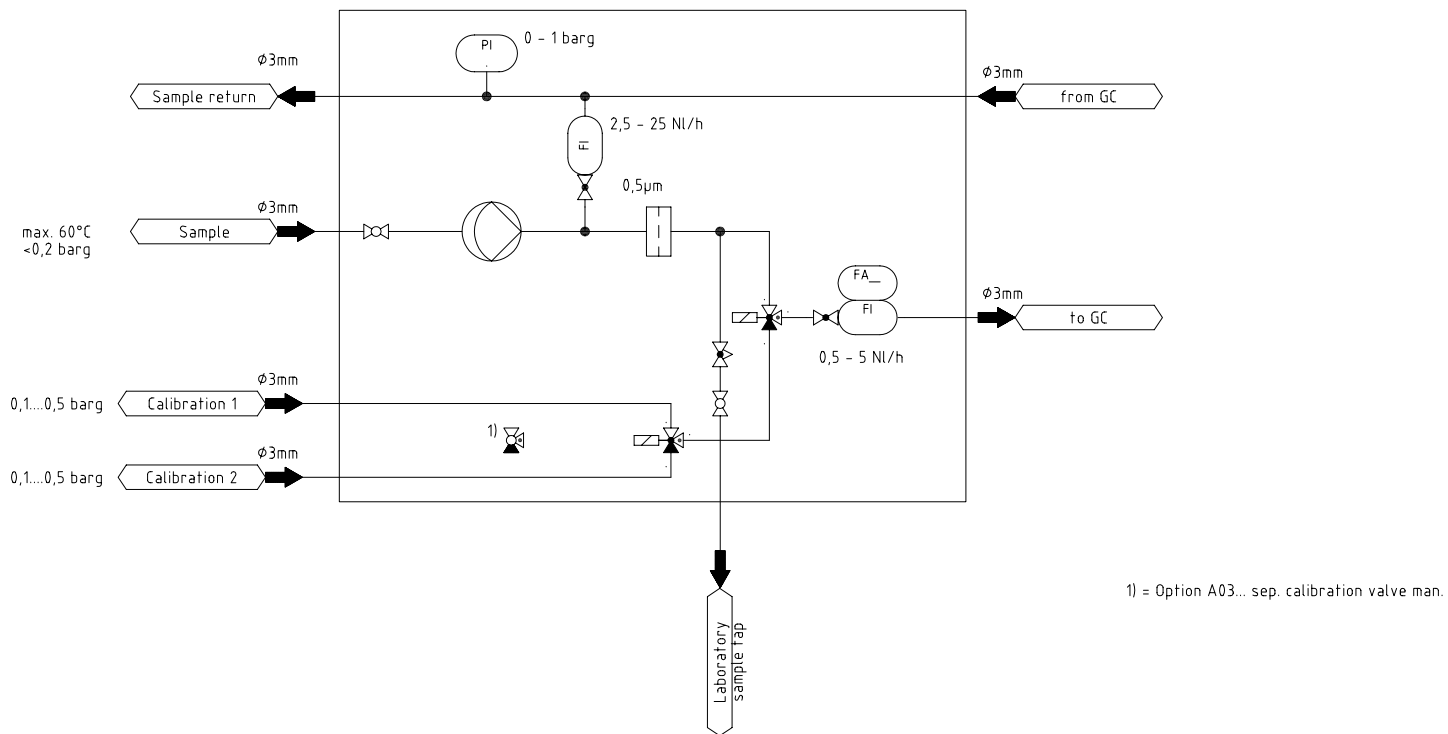
XX

Drawing No.

-G1

Page 3

4. p.



No.	Revision	Date	Name	Date	Name
				09.10.03	Neumann
			checked		He

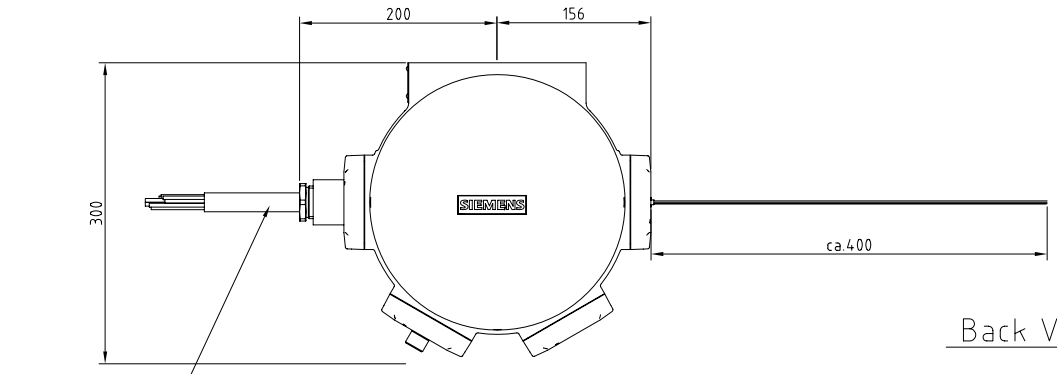
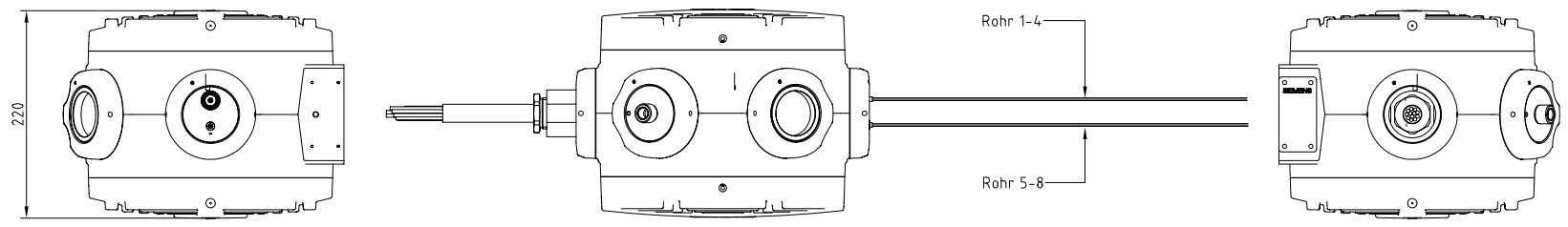
MicroSAM

SIEMENS

Tubing diagram
 Sample preparation device
 7KQ2311-2DB1-Z+A01+A02+A04

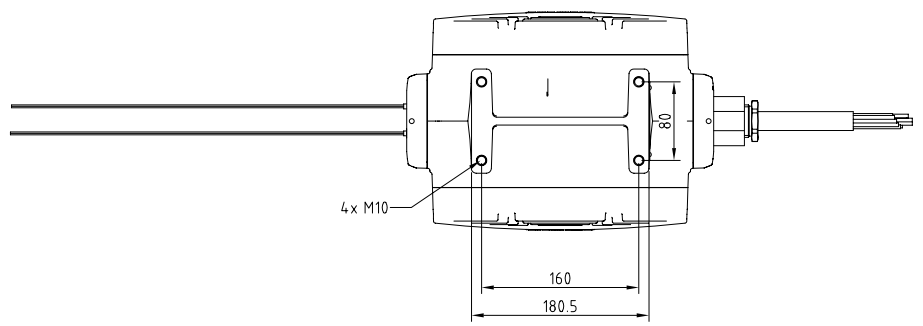
Project No.	= G01	
Order No.	XX	Page 4
Drawing No.	-G1	4. p.

1 2 3 4 5 6 7 8

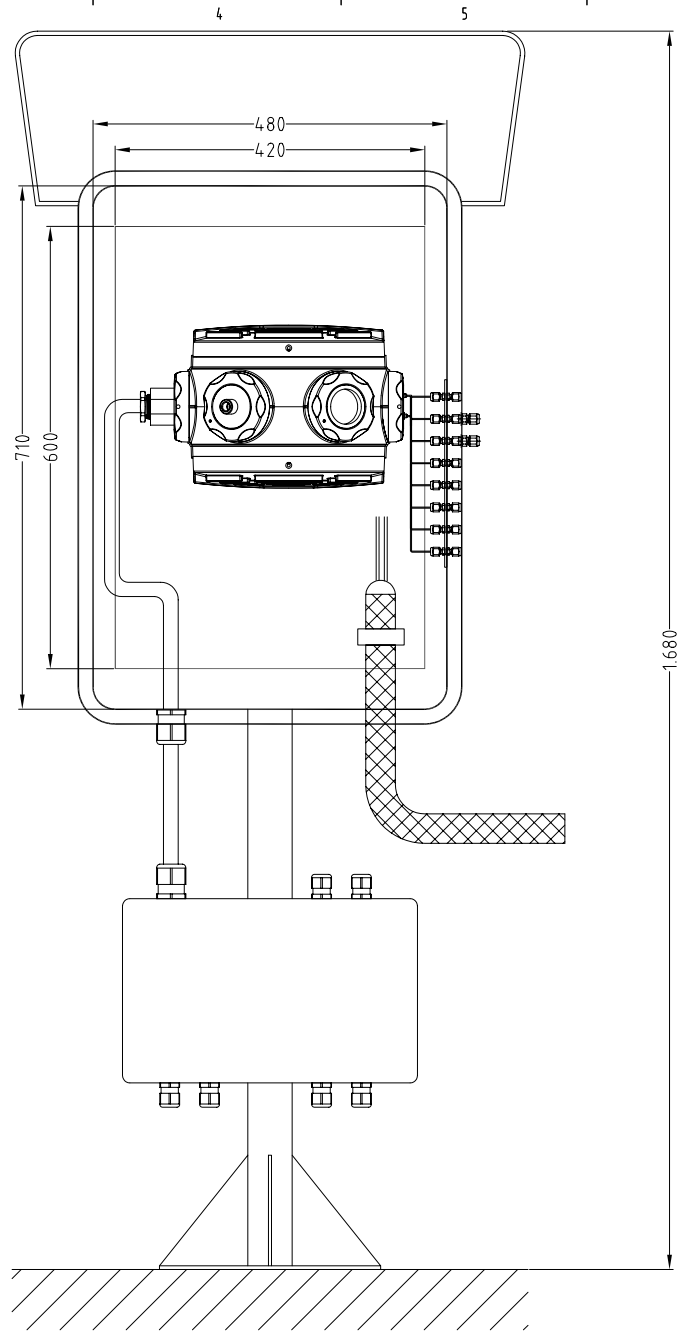


Electr. Cable
L=4000mm

Back View



No.	Revision	Date	Name	Date	Name	MicroSAM	SIEMENS	Layout Micro SAM	Project No.	= L01		
			Design.	09.10.03	Neumann				Order No.	XX	Drawing No.	-A1
			checked		He						Page	1
										7 p.		



No.	Revision	Date	Name	Date	Name
				09.10.03	Neumann
			checked		He

MicroSAM

SIEMENS

Layout
Micro SAM mit Schutzkasten
und Klemmkasten

Project No.	= L01	
Order No.	XX	Page 2
Drawing No.	-A1	7 p.

1

2

3

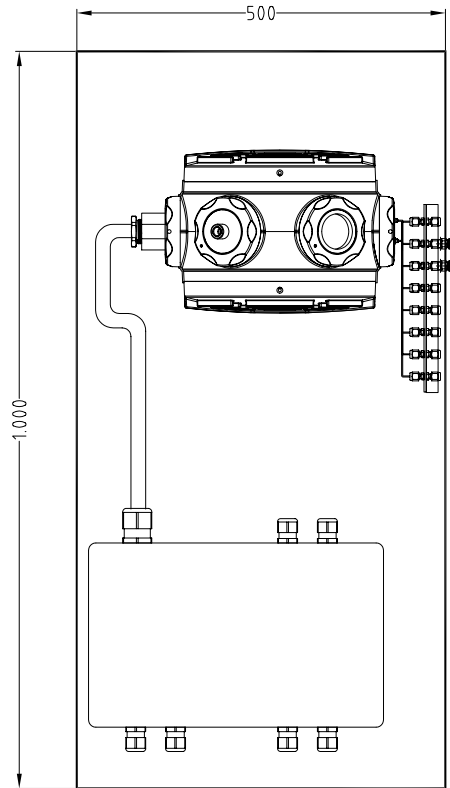
4

5

6

7

8



option pneumat. Connection plate

No.	Revision	Date	Name	Date	Name	MicroSAM	SIEMENS	Layout Micro SAM mit Schutzkasten und Klemmkasten	Project No.	= L01		
			Design.	14.10.03	Neumann				Order No.	XX	Drawing No.	-A1
			checked		He						Page	3
										7 p.		

1

2

3

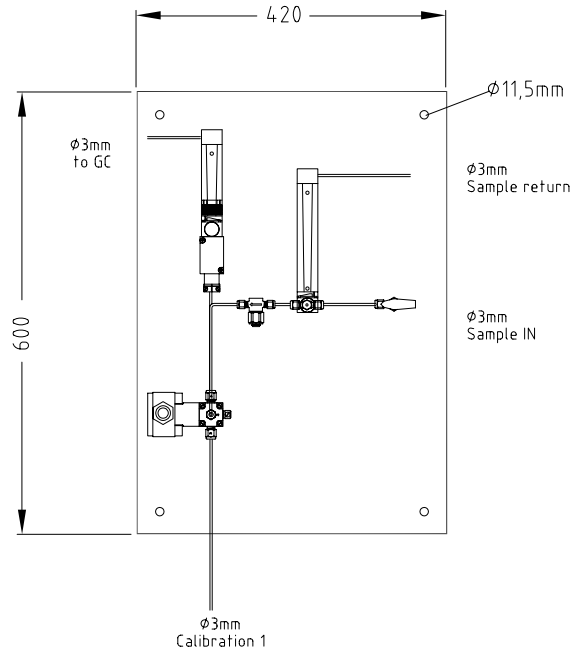
4

5

6

7

8



No.	Revision	Date	Name	Date	Name
			Design.	09.10.03	Neumann
			checked		He

MicroSAM

SIEMENS

Layout
 Sample preparation device
 7KQ2311-2AB1

Project No.

= L01

Order No.

XX

Drawing No.

-A1

Page 4

7 P.

1

2

3

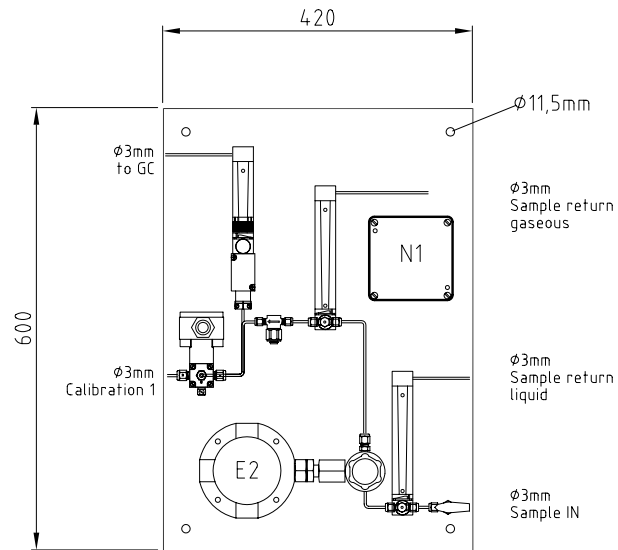
4

5

6

7

8



No.	Revision	Date	Name		Date	Name	MicroSAM	SIEMENS	Layout Sample preparation device 7KQ2311-2CB1	Project No.	= L01		
				Design.	13.10.03	Neumann						Order No.	XX
				checked		He						Drawing No.	-A1
										Page	5		
											7 p.		

1

2

3

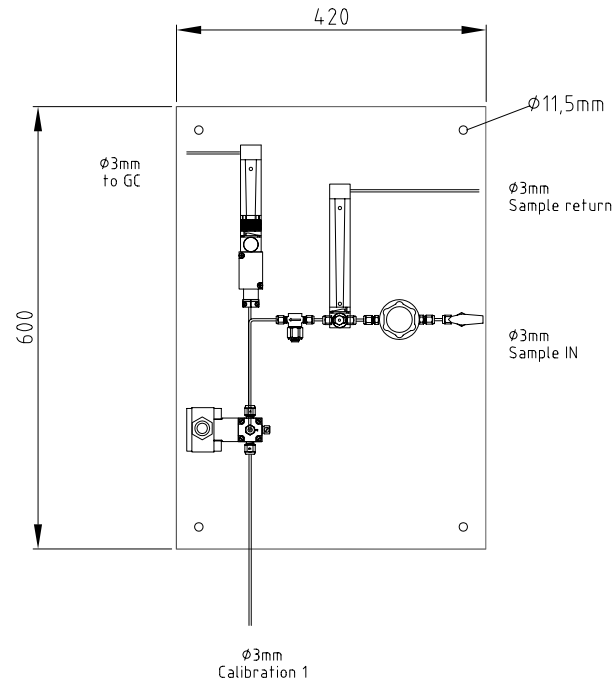
4

5

6

7

8



No.	Revision	Date	Name		Date	Name	MicroSAM	SIEMENS	Layout Sample preparation device 7KQ2311-2BB1	Project No.		= L01	
				Design.	13.10.03	Neumann				Order No.		+	
				checked		He				XX	Drawing No.		-A1
												7 P.	

1

2

3

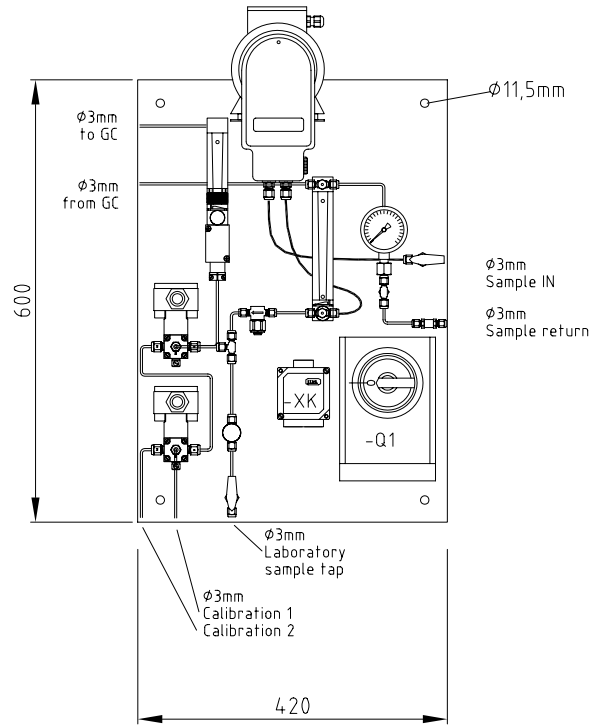
4

5

6

7

8



No.	Revision	Date	Name	Date	Name	MicroSAM	SIEMENS	Layout Sample preparation device 7KQ2311-2DB1-Z+A01+A02+A04	Project No.	= L01		
			Design.	13.10.03	Neumann				Order No.	XX	Drawing No.	-A1
			checked		He				Page	7	7 P.	