

Kit PN 16152-373

15900-667

Rev: 1

September 2004

Mounting a SiPART® PS2 on a Samson 3277 Actuator

Use Installation Kit PN 16152-373 to mount a SiPART PS2 valve positioner, either the standard model or the explosion-proof model shown here, on a Samson 3277 actuator. Refer Figures 1 and 2 and the positioner and actuator installation instructions while performing the installation. The current revision of the positioner instruction is available at the Siemens Internet site. See Contact Information on page 2 for the URL. Key installation instructions are located on page 2 of this instruction.

CAUTION



Do not apply supply pressure to the actuator or the valve positioner during the installation process. Applying supply pressure before the equipment is properly mounted could cause unexpected movement that could lead to personal injury or equipment damage.

CAUTION



Do not exceed the maximum actuator and valve positioner air pressures stated in the manufacturer's literature. Exceeding these ratings could cause personal injury or equipment damage.

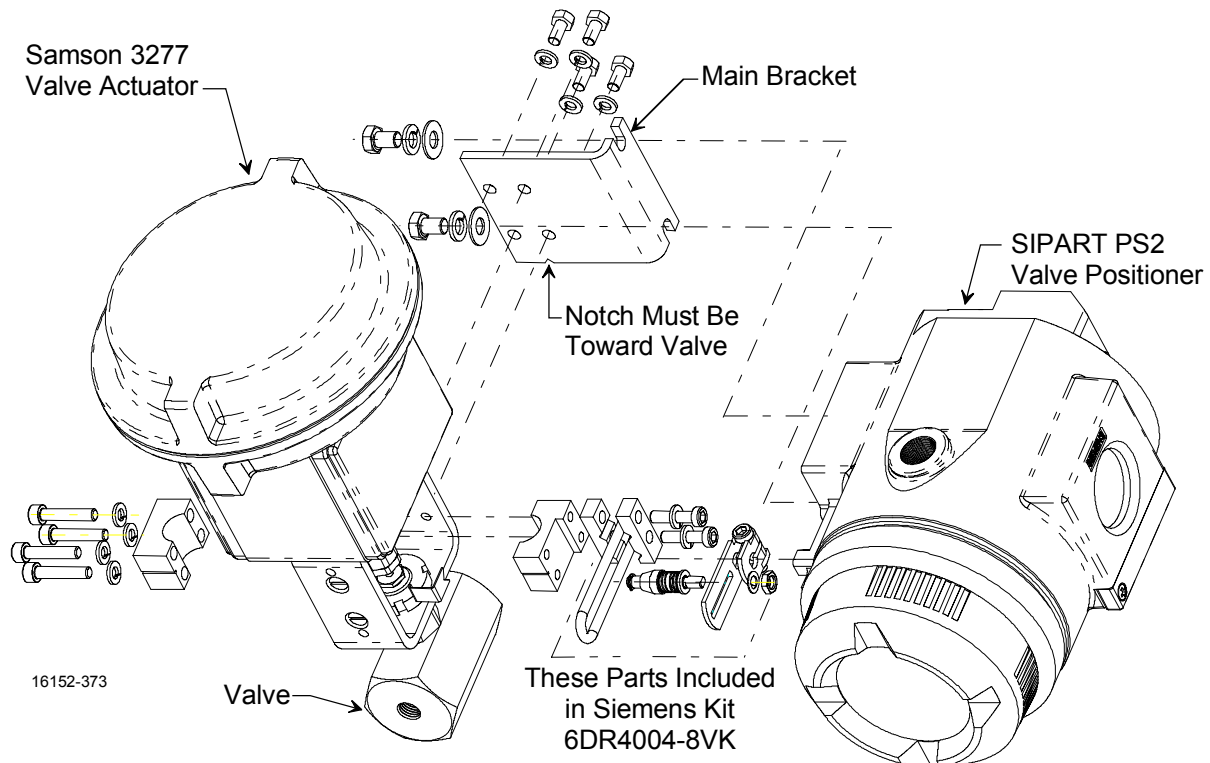


FIGURE 1 Assembly

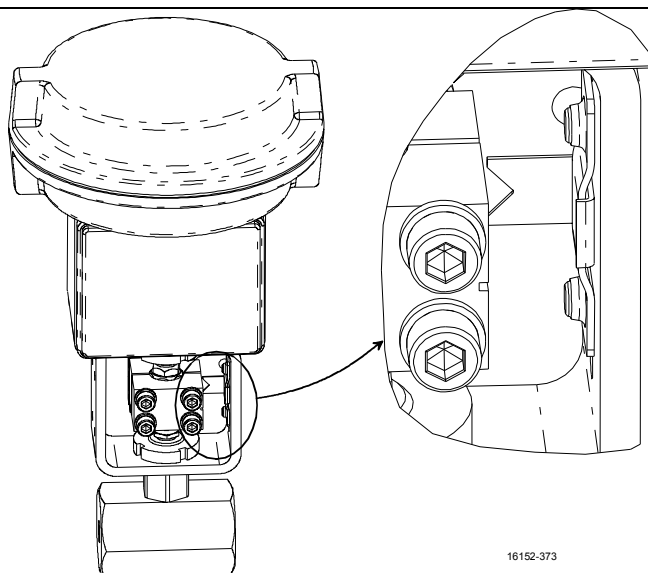


FIGURE 2 Stem Pointer and Scale

KEY INSTRUCTIONS

1. Mount the main bracket on the PS2 using the pair of mounting holes farthest away from the shaft and with the bracket's V-notch (see Figure 1) towards the valve.
2. Align the positioner such that the feedback arm is perpendicular to the actuator shaft at mid-stroke.
3. Adjust the feedback pin such that the arm moves a total of approximately 60 degrees. It is not necessary for the angle to be perfect.
4. Replace the triangular actuator scale with the low-profile scale provided in the kit (see Figure 2). Adjust the scale up or down such that the saw-slot in the stem clamp points to the middle of the scale at mid-stroke.

CONTACT INFORMATION

NORTH AMERICA	Telephone	+1 800 569 2132, option 2 for Siemens-Moore Brand Instruments
	Fax	+1 215 283 6358
	E-mail	mailto:MandCTechSupp@sea.siemens.com
	Hours of Operation	8 a.m. to 6 p.m. eastern time Monday – Friday (except holidays)
	Public Internet Site	www.sea.siemens.com/ia/
	Repair Service	+1 215 646 7400 extension 4993

ValvePAC and SIPART are trademarks of Siemens Energy & Automation, Inc. Other trademarks are the property of their respective owners.

Siemens Energy & Automation, Inc. assumes no liability for errors or omissions in this document or for the application and use of information in this document. The information herein is subject to change without notice.

Procedures in this document have been reviewed for compliance with applicable approval agency requirements and are considered sound practice. Neither Siemens Energy & Automation, Inc. nor these agencies are responsible for repairs made by the user.