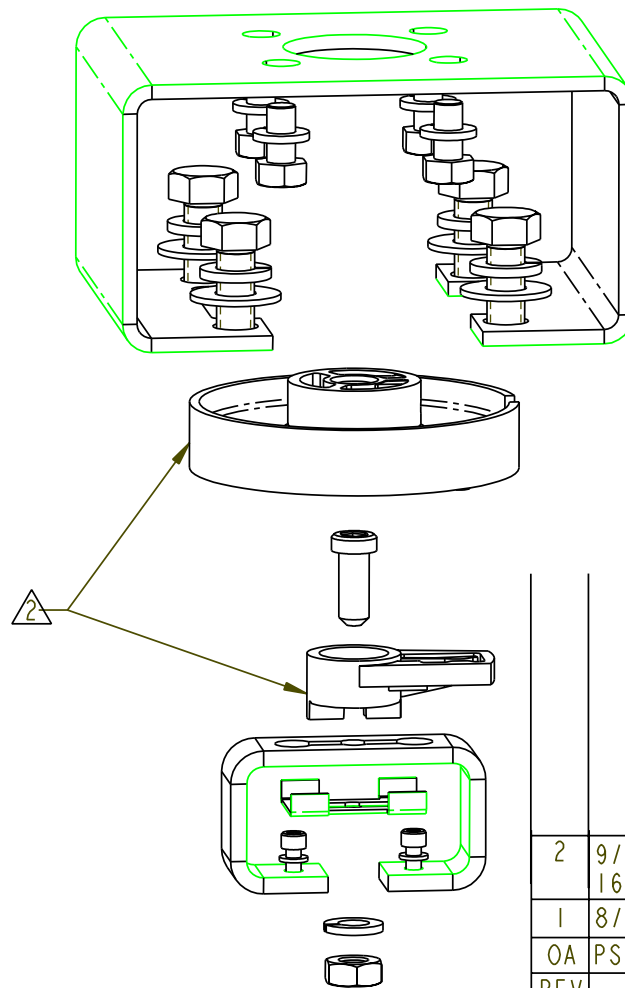


QTY	PART NUMBER	REV.	DESCRIPTION
1	16152-320	1	COUPLER, 760, PS2/FSHR 1051/52-33
1	16152-347	1	BRKT, 760, PS2/FSHR 1051/52-33
1	16152-359	3	SHIM, ACTUATOR COUPLER
2			5-40 X .38 LG. SOCKET HD. CAP SCREW
2			#5 MEDIUM SPLIT LOCKWASHER
1			1/4-20 X .63 LOW SOCKET HD. CAP SCREW
1			1/4 MEDIUM SPLIT LOCKWASHER
1			1/4-20 HEX NUT
4			5/16-18 X .75 LG. HEX HD. SCREW
4			5/16 MEDIUM SPLIT LOCKWASHER
4			5/16 FLAT WASHER
4			M6 X 12 HEX HD. SCREW DIN933-A2
4			M6 SPLIT LOCKWASHER DIN127B-A2
1	15900-659		INSTRUCTIONS

NOTE:

1 ALL HARDWARE TO BE 300 SERIES STAINLESS STEEL.

2 PARTS NOT INCLUDED IN KIT.



2	9/27/04	SHEC41127	VDB
		16152-359 WAS REV. 2	
1	8/10/04	SHEC41040	VDB
OA		PS-LOB2	VDB
REV		DESCRIPTION	APPD

NUMBER	DATE	DRN	ENGR	MFG	MKTG	Siemens Energy & Automation, Inc. Spring House, Pa 19477 USA
16152-348	5/10/04	VDB				
SHEET	TITLE MTG KIT, 76, PS2/FSHR 1051/52-33					