

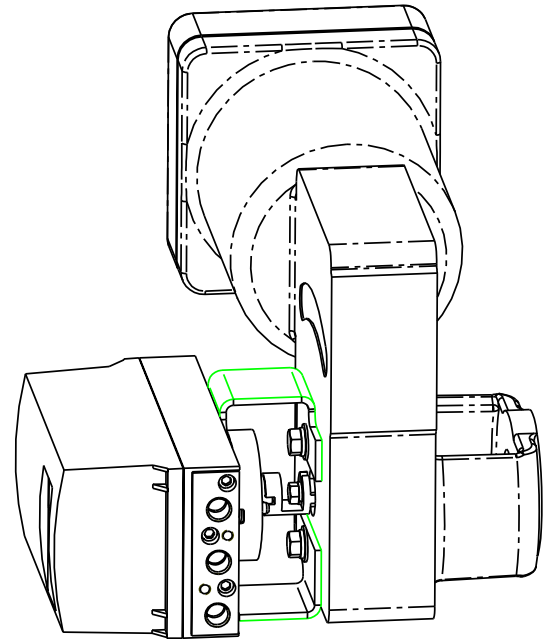
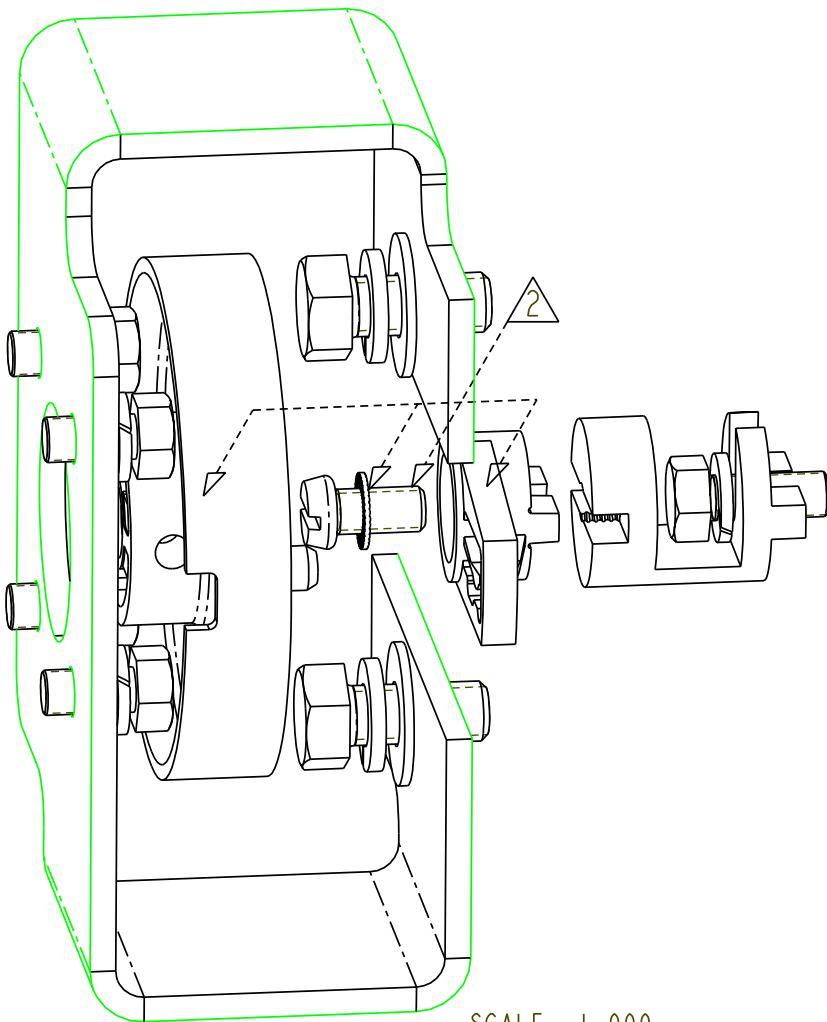
QTY	PART NUMBER	REV.	DESCRIPTION
1	16152-382	1	COUPLER, PS2, 760/MASON CAMFLEX
1	16152-352	4	BRKT, PS2, 760/MASON CAMFLEX
4			M6 X 12 HEX HD. SCREW DIN933-A2
5			M6 SPLIT LOCKWASHER DIN127B-A2
1			M6 X 16 HEX HD CAP SCREW DIN933-A2
2			5/16-18 X 3/4 LG. HEX HD. SCREW
2			5/16 MEDIUM SPLIT LOCKWASHER
2			5/16 FLAT WASHER
1	15900-669	3	INSTRUCTIONS

NOTE :

1 ALL HARDWARE TO BE
300 SERIES STAINLESS STEEL

2 THESE PARTS NOT INCLUDED IN THIS KIT.

THIS KIT ALSO SOLD AS TGX:16152-350



7	11/20/06 SHEC41462 16152-352 WAS REV. 3	VDB
6	5/2/06 SHEC41377 M6X16 HEX.HD.WAS SOC.HD. 16152-352 TO REV. 3	VDB
5	1/19/06 SHEC41320 16152-382 WAS -351 M6X16 WAS 6X40 ADD (1) M6 L'WSHR 15900-669 TO REV.3	VDB
4	1/21/05 SHEC41155 16152-351 WAS REV. 2	VDB
3	1/6/04 SHEC41149 INSTRU. WERE 15900-659	VDB
2	6/15/04 SHEC41040 REVISED COUPLER, CHANGED MATERIALS 300 TO 316S.S.	VDB
1	6/7/04 EC41040	VDB
REV	DESCRIPTION	APPD

SCALE 1.000

NUMBER

16152-350

SHEET

DATE

5/27/04

DRN

VDB

ENGR

MFG

MKTG

TITLE

MTG KIT, PS2, 76/MASON CAMFLX II

Siemens Energy & Automation, Inc.
Spring House, Pa 19477 USA