

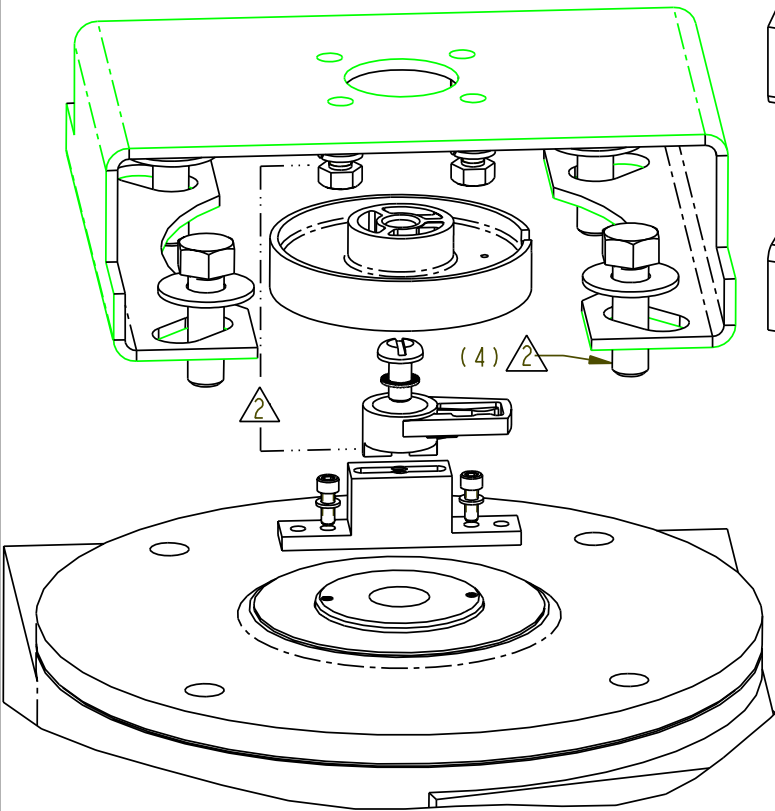
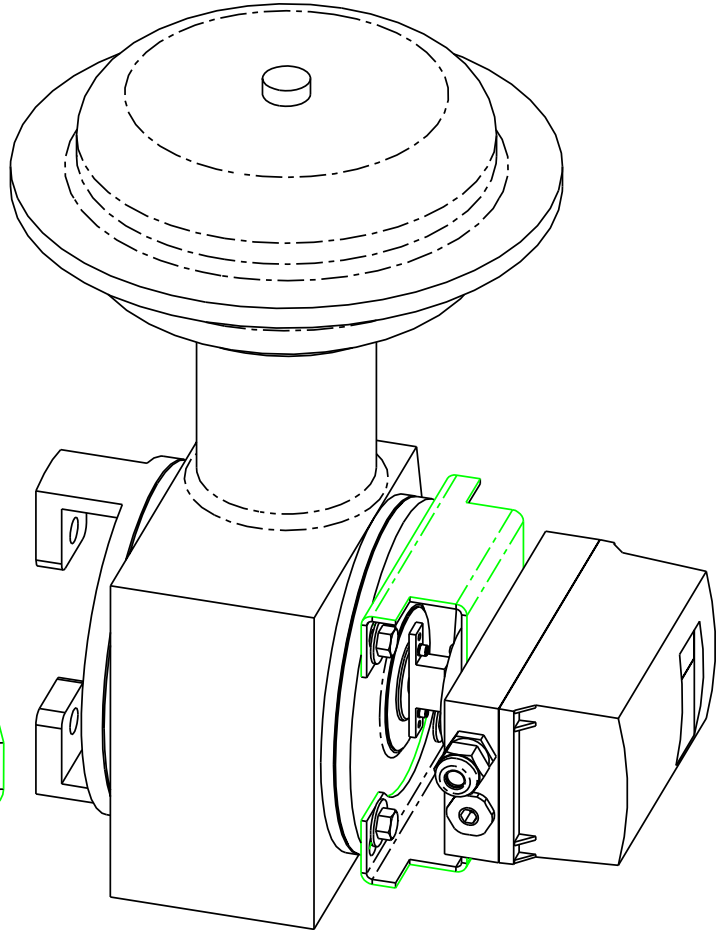
QTY	PART NUMBER	REV.	DESCRIPTION
1	16152-365	3	BRKT/FSHR 105*,1061,MULTI
1	16152-379	1	COUPLER/FSHR 1058,1061,MULTI
4			3/8 MED. FLAT WASHER
2			#6-32 X .38 SOCKET HD. CAP SCREW
2			#6 MEDIUM SPLIT LOCKWASHER
4			M6 X 12 HEX HD. SCREW DIN933-A2
4			M6 SPLIT LOCKWASHER DIN127B-A2
1	15900-745	1	INSTRUCTIONS

NOTE:

1 ALL HARDWARE TO BE 300 SERIES STAINLESS STEEL.

2 PARTS NOT INCLUDED IN KIT

3 KIT ALSO SOLD AS TGX:16152-364.



5	4/25/07 SHEC41526 INSTR. WERE -659	VDB
4	5/6/06 SHEC41392 16152-365 TO REV. 3 ADDED 3/8 WASHERS	VDB
3	1/25/06 SHEC41323 COUPLER WAS -366 DELETE SHIM & 1/4 HARDWARE -365 WAS REV.1	VDB
2	9/27/04 SHEC41127 16152-359 WAS REV.2	VDB
1	9/16/04 SHEC41117	VDB
REV	DESCRIPTION	APPD

NUMBER	DATE	DRN	ENGR	MFG	MKTG	Siemens Energy & Automation, Inc. Spring House, Pa 19477 USA
16152-364	8/18/04	VDB				
SHEET	TITLE MTG KIT/FSHR 105*,1061,MULTI					