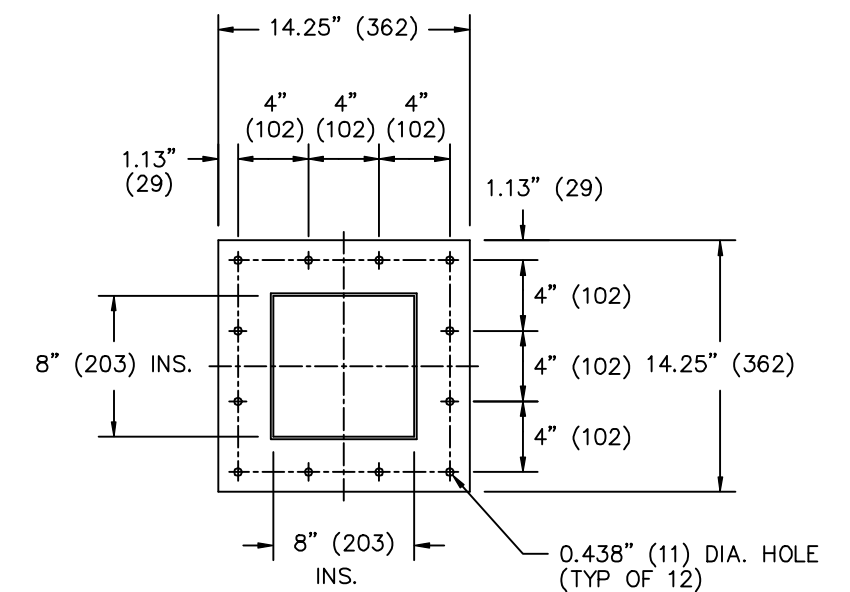
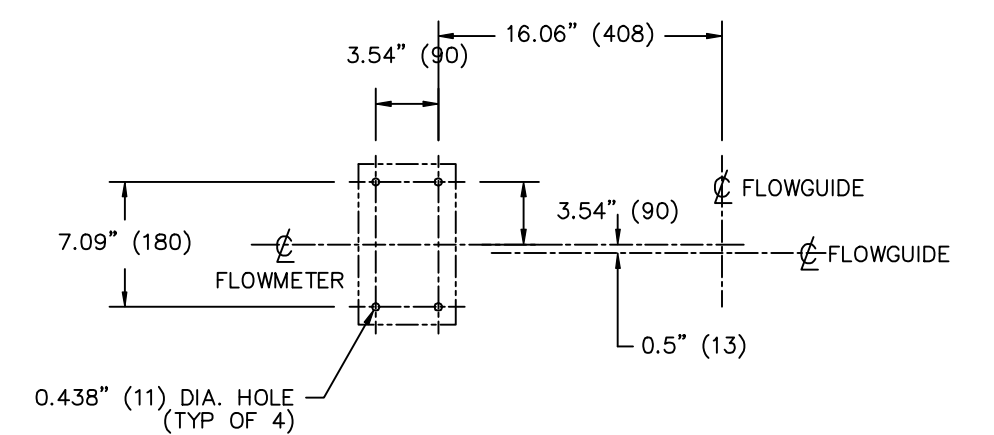


VIEW "C - C"  
DUST COLLECTOR PORT FLANGE



VIEW "B - B"  
FLOWGUIDE INLET FLANGE



VIEW "A - A"  
SENSING HEAD SUPPORT PLATE

NOTES:

- ( ) INDICATES DIMENSIONS IN MILLIMETERS
- FLOWGUIDE AND ENCLOSURE ARE CONSTRUCTED FROM 0.125" (3) THK. MILD STEEL PLATE WITH 0.25" (6) THK. MILD STEEL PLATE FLANGES.
- FINISH IS PAINTED MILD STEEL OR OPTIONAL STAINLESS STEEL.
- PLEASE REFER TO THE CUSTOMER APPLICATION DIAGRAM AND THE FLOWMETER INSTRUCTION MANUAL, SUPPLIED BY MILLTRONICS. FOR FURTHER INFORMATION, PLEASE CONTACT THE NEAREST MILLTRONICS REPRESENTATIVE.

1	FOR CONSTRUCTION	CAM	RDC	OCT. 24/96
No.	REVISION DESCRIPTION	DWG BY	APPRO.	DATE

<p><b>CONFIDENTIAL</b> <b>IMPORTANT NOTICE</b></p> <p>THIS DOCUMENT REMAINS THE PROPERTY OF MILLTRONICS AND IS SUBJECT TO RECALL. IT MAY NOT BE COPIED, AND IS ISSUED AND CAN BE UTILIZED ONLY FOR SUCH LIMITED PURPOSES AS MAY SPECIFICALLY HAVE BEEN AUTHORIZED BY MILLTRONICS. IT IS TO BE MAINTAINED CONFIDENTIAL, SINCE IT MAY CONTAIN PROPRIETARY INFORMATION AND TRADE SECRETS OF MILLTRONICS OR OTHERS. THE ITEMS DEPICTED MAY THEMSELVES BE THE SUBJECT OF PATENTS, INDUSTRIAL DESIGN REGISTRATIONS OR COPYRIGHTS OF MILLTRONICS OR OTHERS, AND THE ISSUE OF THIS DRAWING DOES NOT IMPLY ANY LICENSE UNDER ANY SUCH RIGHTS.</p> <p>COPYRIGHT MILLTRONICS ALL RIGHTS RESERVED</p>	<p>DRAWING SCALE 3=32</p> <p>DRAWN BY TJTD</p> <p>CHECKED BY C. CLEMENTS</p> <p>APPROVED BY R. CLOSS</p>	<p>TOLERANCES UNLESS OTHERWISE NOTED</p> <p>1 PLACE DECIMAL ±0.030" FRACTIONS ±0.030"</p> <p>2 PLACE DECIMAL ±0.010" ANGLES ±0.5°</p> <p>3 PLACE DECIMAL ±0.002"</p>	<p>THIRD ANGLE PROJECTION</p>	<p><b>MILLTRONICS</b></p> <p>PETERBOROUGH, ONTARIO, CANADA.</p>	
	<p>TITLE</p> <p><b>8" (203) A-40 FLOWMETER CUSTOMER OUTLINE DIAGRAM</b></p>		<p>FILE No. 00062201</p> <p>PLOT AT 3=32</p> <p>JOB No.</p>	<p>DRAWING No.</p> <p><b>0-7510090Z-SM-C</b></p> <p>SHEET 1 OF 1</p>	<p>REV.</p> <p><b>1</b></p>