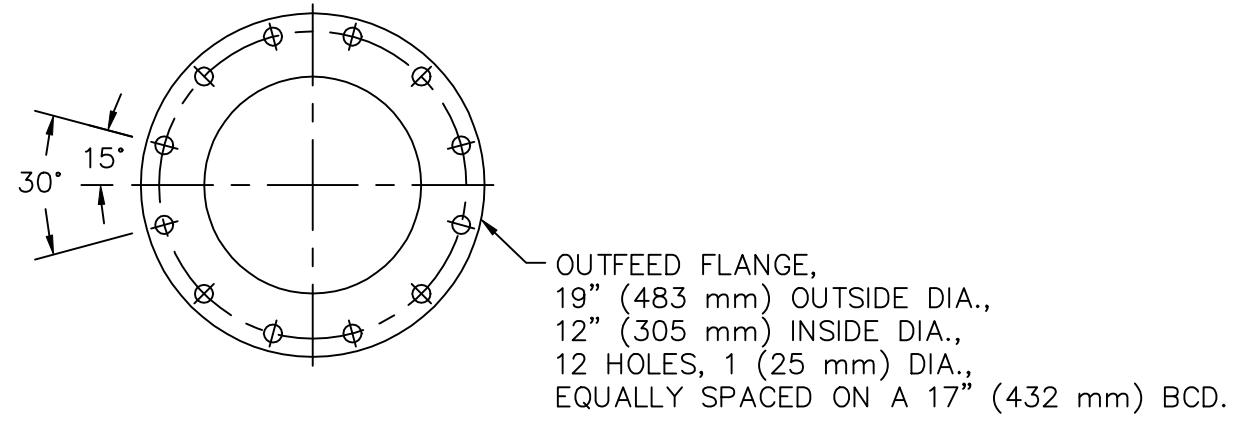
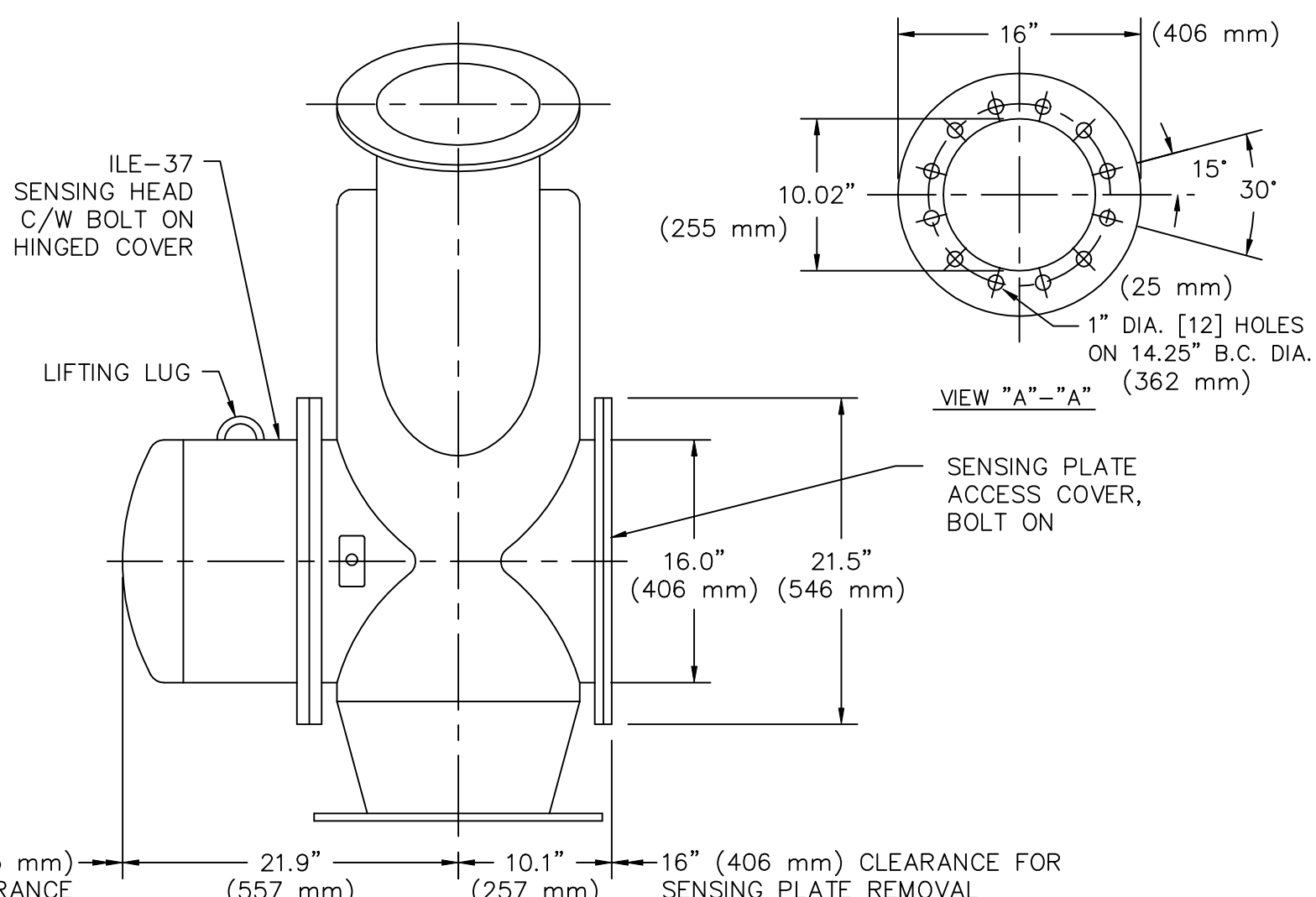
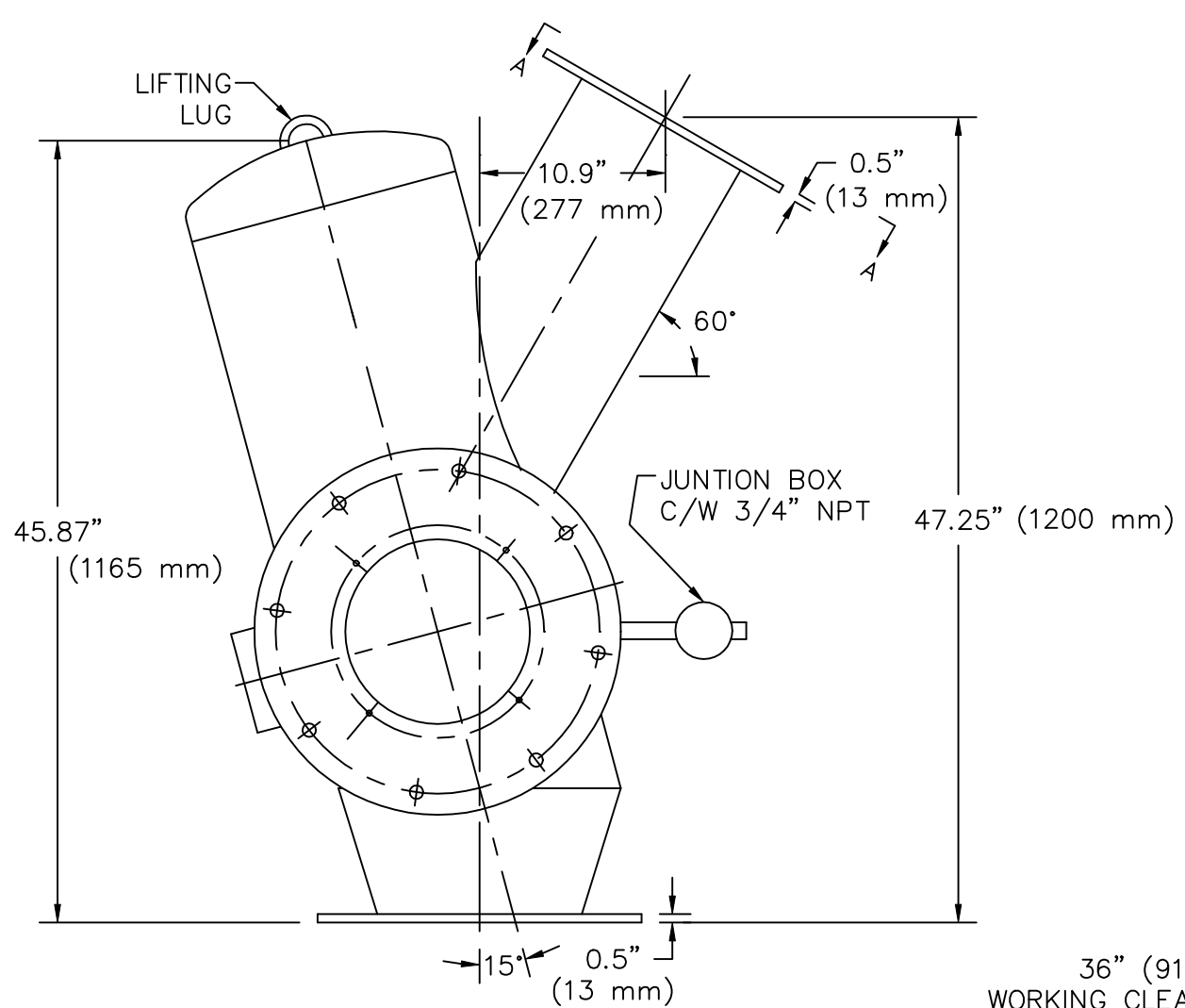


I A I B I C I D I E I F I G I H I I I J I



- NOTE:**
- 1). THE FLOWMETER MUST BE INSTALLED TO WITHIN $\pm 1^\circ$ OF THE HORIZONTAL PLANE.
 - 2). THE FLOWMETER IS BUILT TO NFPA CODE 8503 REQUIREMENTS.
 - 3). FOR FURTHER INFORMATION REFER TO THE WIRING DIAGRAM, THE COAL SCALE INSTRUCTION MANUAL OR CONTACT THE NEAREST MILLTRONICS REPRESENTATIVE.

0		FOR CONSTRUCTION	APR. 8/94
NO	SYM.	DESCRIPTION	APP. DATE
REVISIONS			

CONFIDENTIAL
IMPORTANT NOTICE

THIS DOCUMENT REMAINS THE PROPERTY OF MILLTRONICS AND IS SUBJECT TO RECALL. IT MAY NOT BE COPIED, AND IS ISSUED AND CAN BE UTILIZED ONLY FOR SUCH LIMITED PURPOSES AS MAY SPECIFICALLY HAVE BEEN AUTHORIZED BY MILLTRONICS. IT IS TO BE MAINTAINED CONFIDENTIAL, SINCE IT MAY CONTAIN PROPRIETARY INFORMATION AND TRADE SECRETS OF MILLTRONICS OR OTHERS. THE ITEMS DEPICTED MAY THEMSELVES BE THE SUBJECT OF PATENTS, INDUSTRIAL DESIGN REGISTRATIONS OR COPYRIGHTS OF MILLTRONICS OR OTHERS, AND THE ISSUE OF THIS DRAWING DOES NOT IMPLY ANY LICENSE UNDER ANY SUCH RIGHTS.

COPYRIGHT MILLTRONICS
ALL RIGHTS RESERVED

SCALE 0.09375"=1"	DATE
DRAWN RON VASS	MAR. 31/94
CHECKED	
APPROVED	

TOLERANCES UNLESS OTHERWISE NOTED		THIRD ANGLE PROJECTION
1 PLACE DECIMAL $\pm 0.03"$	FRACTIONS: $\pm 0.030"$	
2 PLACE DECIMAL $\pm 0.010"$	ANGLES: $\pm 0.5^\circ$	
3 PLACE DECIMAL $\pm 0.002"$		
TITLE		
10" (254 mm) COAL SCALE CUSTOMER OUTLINE DIAGRAM		

PETERBOROUGH, ONTARIO, CANADA.		
FILE # 10217200	DRAWING NUMBER	REV
PLOT @ 3=32	1-7540050Z-SM-B	0
JOB No.	SHEET 1 OF 1	