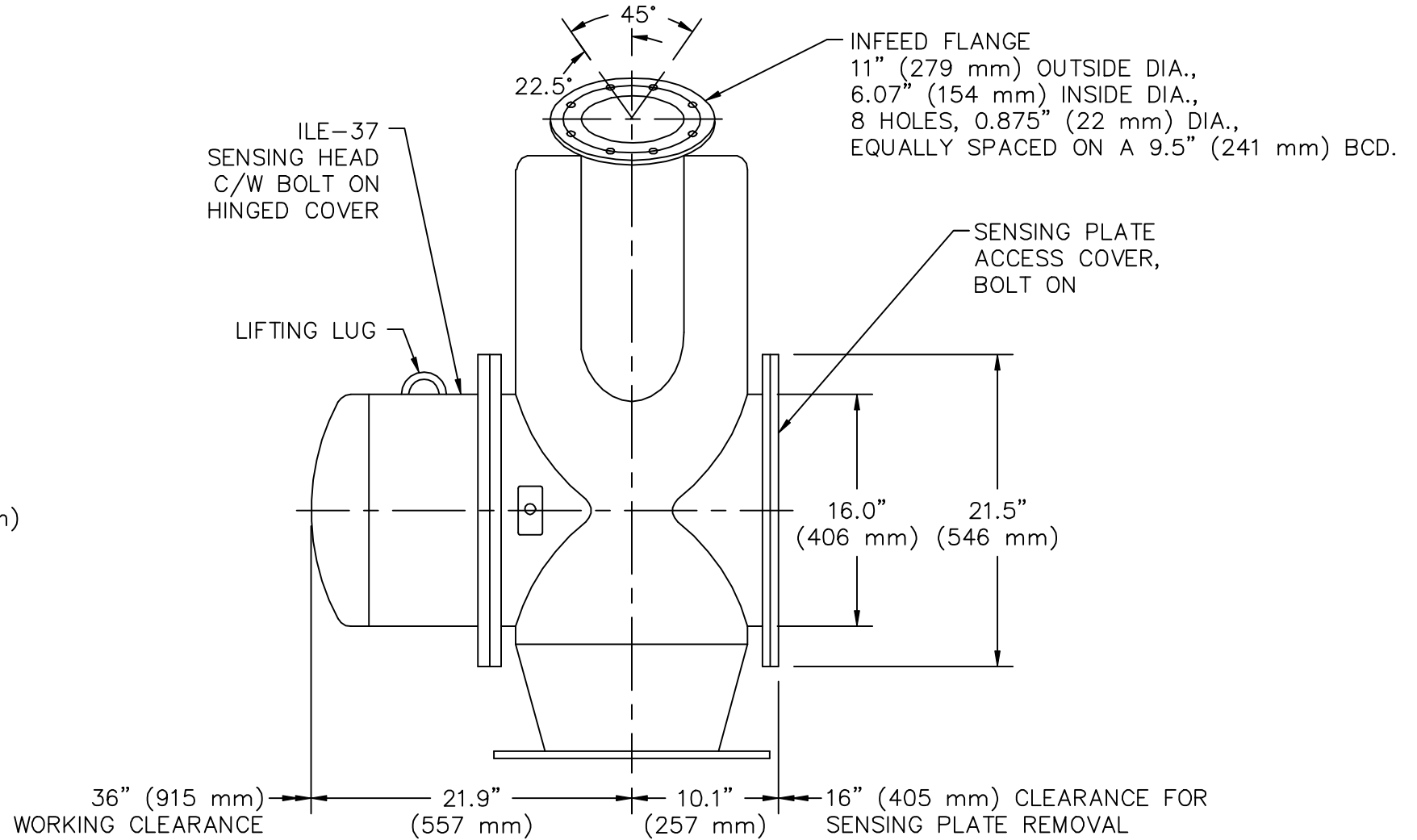


OUTFEED FLANGE,  
 19" (483 mm) OUTSIDE DIA.,  
 12" (305 mm) INSIDE DIA.,  
 12 HOLES, 1 (25 mm) DIA.,  
 EQUALLY SPACED ON A 17" (432 mm) BCD.



**NOTES**

- 1). THE FLOWMETER MUST BE INSTALLED TO WITHIN  $\pm 1^\circ$  OF THE HORIZONTAL PLANE.
- 2). THE FLOWMETER IS BUILT TO NFPA CODE 8503 REQUIREMENTS.
- 3). FOR FURTHER INFORMATION REFER TO THE WIRING DIAGRAM, THE COAL SCALE INSTRUCTION MANUAL OR CONTACT THE NEAREST MILLTRONICS REPRESENTATIVE.

0		FOR CONSTRUCTION		
No.	SYM.	DESCRIPTION	APP.	DATE
REVISIONS				

**CONFIDENTIAL**  
**IMPORTANT NOTICE**  
 THIS DOCUMENT REMAINS THE PROPERTY OF MILLTRONICS AND IS SUBJECT TO RECALL. IT MAY NOT BE COPIED, AND IS ISSUED AND CAN BE UTILIZED ONLY FOR SUCH LIMITED PURPOSES AS MAY SPECIFICALLY HAVE BEEN AUTHORIZED BY MILLTRONICS. IT IS TO BE MAINTAINED CONFIDENTIAL, SINCE IT MAY CONTAIN PROPRIETARY INFORMATION AND TRADE SECRETS OF MILLTRONICS OR OTHERS. THE ITEMS DEPICTED MAY THEMSELVES BE THE SUBJECT OF PATENTS, INDUSTRIAL DESIGN REGISTRATIONS OR COPYRIGHTS OF MILLTRONICS OR OTHERS, AND THE ISSUE OF THIS DRAWING DOES NOT IMPLY ANY LICENSE UNDER ANY SUCH RIGHTS.  
 COPYRIGHT MILLTRONICS  
 ALL RIGHTS RESERVED

DRAWING SCALE  
 0.09375" = 1"  
 DRAWN BY  
 RON VASS  
 CHECKED BY  
 APPROVED BY

DATE  
 FEB. 18

TOLERANCES UNLESS OTHERWISE NOTED  
 1 DEC. PLACE NA  
 2 DEC. PLACE NA  
 3 DEC. PLACE NA  
 FRACTIONS NA  
 NA  
 ANGLES NA

THIRD ANGLE PROJECTION

TITLE  
**6" (152 mm) COAL SCALE**  
**CUSTOMER OUTLINE DIAGRAM**

**MILLTRONICS**  
 PETERBOROUGH, ONTARIO, CANADA.

FILE No. 10217100	DRAWING No.	REV.
PLOT AT 3=32	<b>1-7540049Z-SM-B</b>	<b>0</b>
JOB No.	SHEET 1 OF 1	