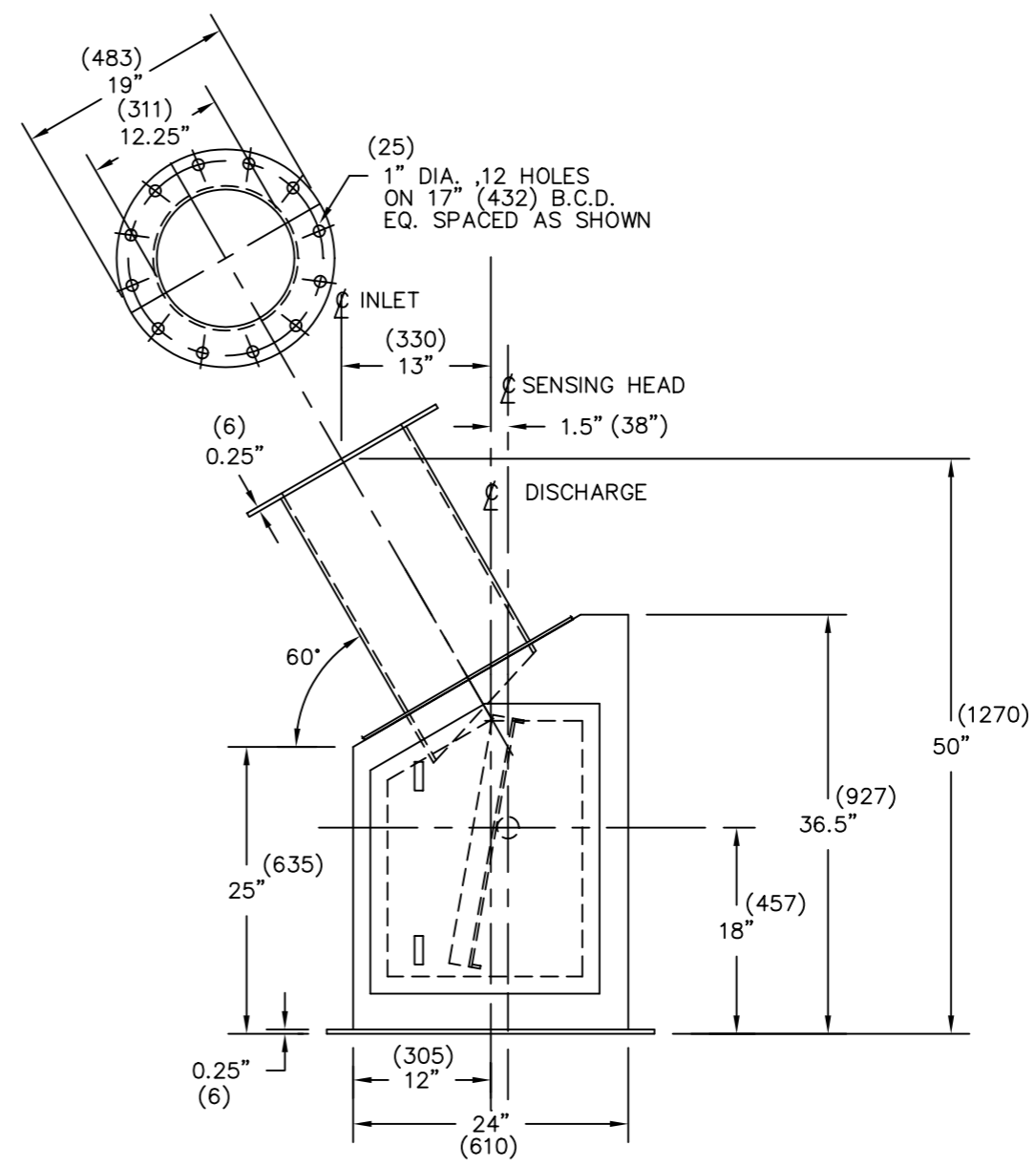
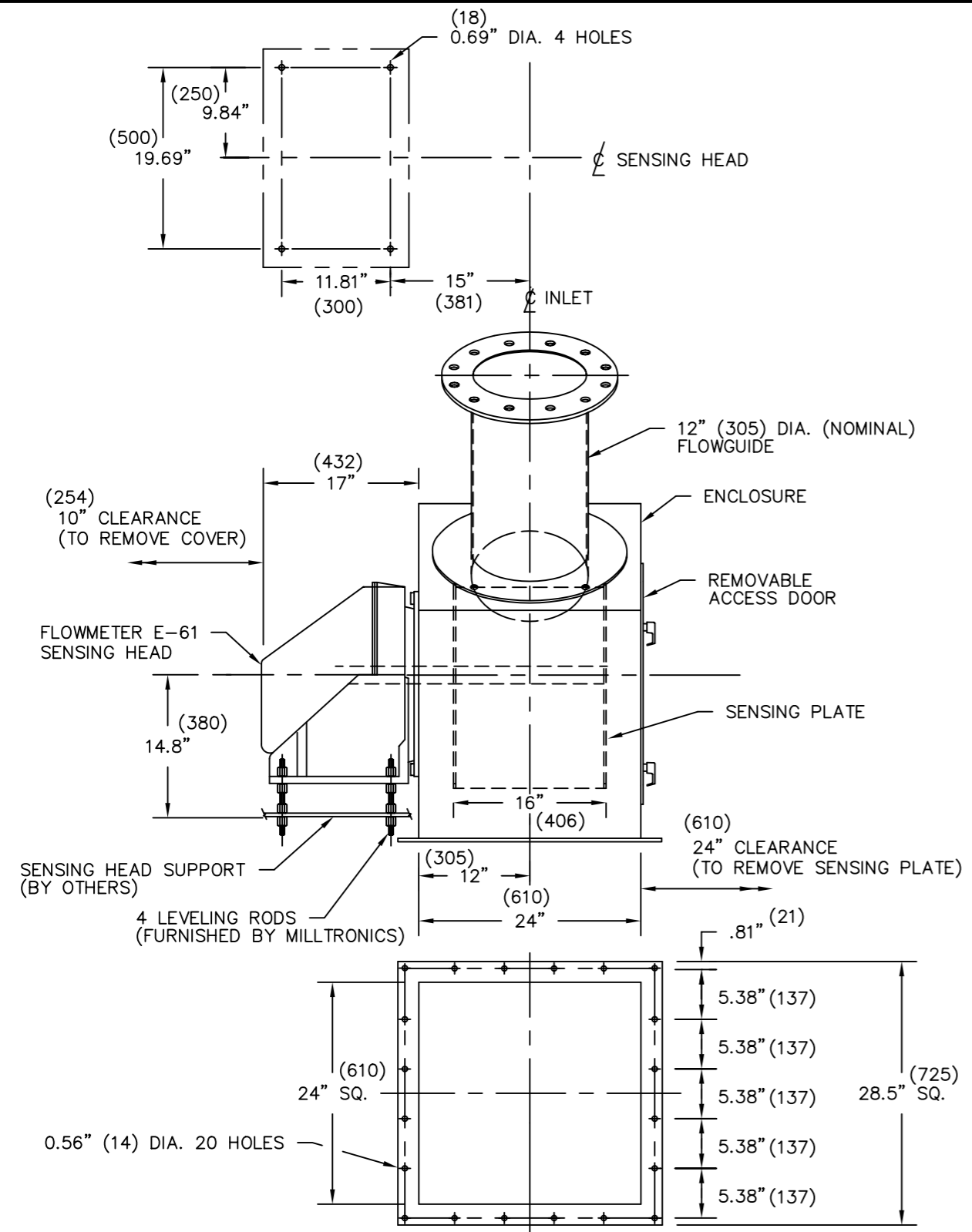


A I B I C I D I E I F I G I H I I J I



- NOTES:
1. MILD STEEL OR STAINLESS STEEL CONSTRUCTION
 2. FLOWMETER SUPPORT SHOULD BE RIGID AND INDEPENDENT OF ENCLOSURE.
 3. ANY MODIFICATION OR CHANGE SHOULD BE APPROVED BY MILLTRONICS.
 4. SEE DATA SHEET FOR MATERIAL SPECIFICATIONS.
 5. SEE INSTRUCTION MANUAL FOR LEVELING THE FLOWMETER SENSING HEAD.
 6. () INDICATES DIMENSIONS IN MILLIMETERS.

1	CHANGED INLET & MOUNTING FLANGE THICKNESS TO .25" PER ECN # 98-753-0-0003	RPC	RDC	JAN 19/99
0	FOR CONSTRUCTION	DLM		OCT 25/90
No.	REVISION DESCRIPTION	DWG BY	APPRO.	DATE

CONFIDENTIAL
IMPORTANT NOTICE
 THIS DOCUMENT REMAINS THE PROPERTY OF MILLTRONICS AND IS SUBJECT TO RECALL. IT MAY NOT BE COPIED, AND IS ISSUED AND CAN BE UTILIZED ONLY FOR SUCH LIMITED PURPOSES AS MAY SPECIFICALLY HAVE BEEN AUTHORIZED BY MILLTRONICS. IT IS TO BE MAINTAINED CONFIDENTIAL, SINCE IT MAY CONTAIN PROPRIETARY INFORMATION AND TRADE SECRETS OF MILLTRONICS OR OTHERS. THE ITEMS DEPICTED MAY THEMSELVES BE THE SUBJECT OF PATENTS, INDUSTRIAL DESIGN REGISTRATIONS OR COPYRIGHTS OF MILLTRONICS OR OTHERS, AND THE ISSUE OF THIS DRAWING DOES NOT IMPLY ANY LICENSE UNDER ANY SUCH RIGHTS.
 COPYRIGHT MILLTRONICS
 ALL RIGHTS RESERVED

DRAWING SCALE
 1 = 16
 DRAWN BY
 D. McCONNELL
 CHECKED BY
 APPROVED BY

TOLERANCES UNLESS OTHERWISE NOTED
 1 PLACE DECIMAL ±0.030" FRACTIONS ±0.030"
 2 PLACE DECIMAL ±0.010"
 3 PLACE DECIMAL ±0.002" ANGLES ±0.5°
 THIRD ANGLE PROJECTION
 TITLE
E-300 FLOWMETER
c/w 12" (305) INLET
OUTLINE DIMENSIONS

MILLTRONICS
 Mass Dynamics Division

FILE No. 10081201	DRAWING No. 1-7530005Z-DP-B	REV. 1
PLOT AT 1=16	SHEET 1 OF 1	
JOB No. PDF		

1
2
3
4
5
6
7
8
9
10