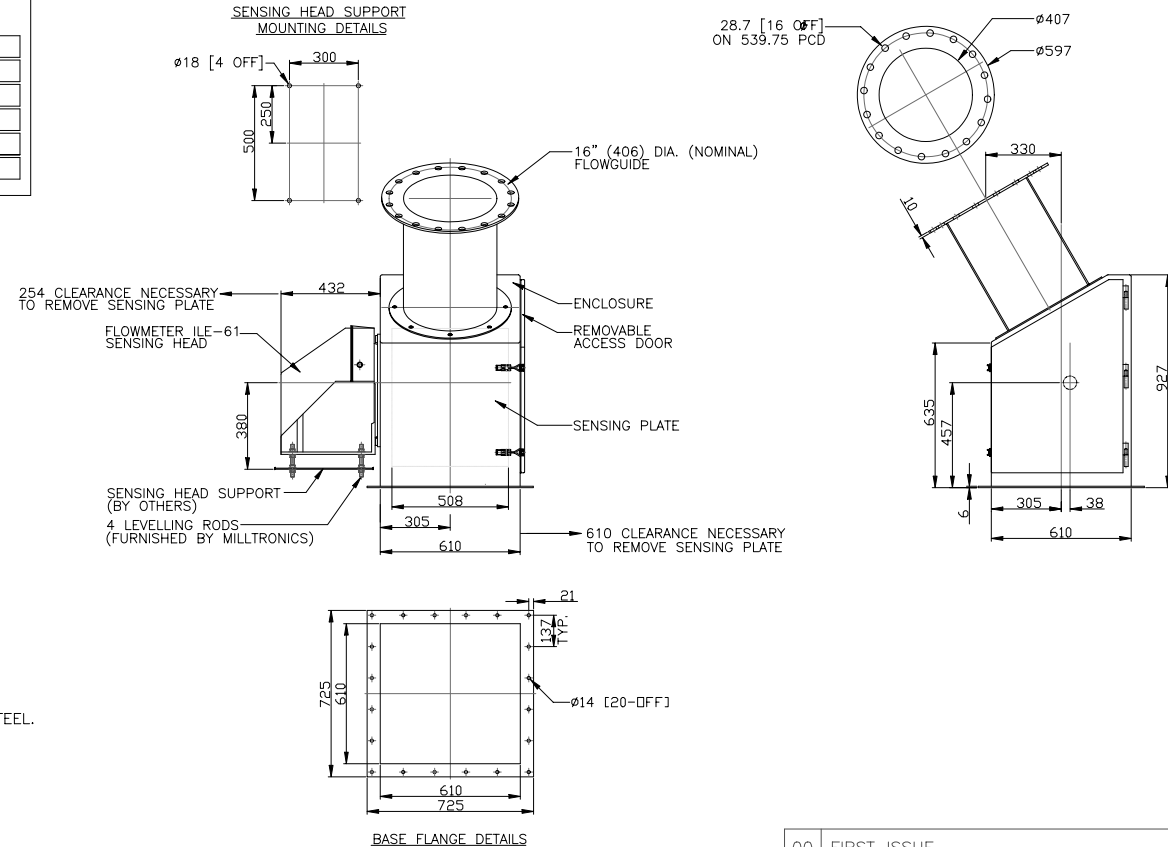


I A I B I C I D I E I F I G I H I I I J I

SYSTEM SPECIFICATION	
SENSING HEAD PN.	
FLOW GUIDE PN.	
SENSING PLATE PN.	
CAL WEIGHT PART No.	
SERIAL NUMBER.	
ENGINEERED BY.	



NOTES:  
 CONSTRUCTION – MILD STEEL OR STAINLESS STEEL.  
 FLOWMETER SUPPORT TO BE RIGID & INDEPENDENT OF ENCLOSURE.  
 ANY MODIFICATION OR CHANGE SHOULD BE APPROVED BY MILLTRONICS.  
 SEE DATA SHEET FOR MATERIAL SPECIFICATION  
 SEE INSTRUCTION MANUAL FOR FLOWMETER SENSING HEAD LEVELLING.

00	FIRST ISSUE	REV_DES_0
No	DESCRIPTION	

<p><b>CONFIDENTIAL</b>                  IMPORTANT NOTICE</p> <p>THIS DOCUMENT REMAINS THE PROPERTY OF SIEMENS AND IS SUBJECT TO RECALL. IT MAY NOT BE COPIED, AND IS ISSUED AND CAN BE UTILIZED ONLY FOR SUCH LIMITED PURPOSES AS MAY SPECIFICALLY HAVE BEEN AUTHORIZED BY SIEMENS. IT IS TO BE MAINTAINED CONFIDENTIAL, SINCE IT MAY CONTAIN PROPRIETARY INFORMATION AND TRADE SECRETS OF SIEMENS OR OTHERS. THE ITEMS DEPICTED MAY THEMSELVES BE THE SUBJECT OF PATENTS, INDUSTRIAL DESIGN REGISTRATIONS OR COPYRIGHTS OF SIEMENS OR OTHERS, AND THE ISSUE OF THIS DRAWING DOES NOT IMPLY ANY LICENSE UNDER ANY SUCH RIGHTS. COPYRIGHT SIEMENS ALL RIGHTS RESERVED</p>	SCALE:	DATE:	ALL DIMENSIONS IN MM UNLESS OTHERWISE NOTED TOLERANCES UNLESS OTHERWISE NOTED 0-300 = ±0.30 300 + = ±0.75	THIRD ANGLE 	REVISIONS		
	DRAWN:			ANGLE = ±0.5°	<p><b>SIEMENS</b></p>		
	CHECKED:			TITLE			
	APPROVED:			E-300 FLOWMETER 16" ANSI FLOWGUIDE GENERAL ARRANGEMENT DRAWING		FILE #	DRAWING NUMBER
					JOB No.	SHEET 1 OF 1	00