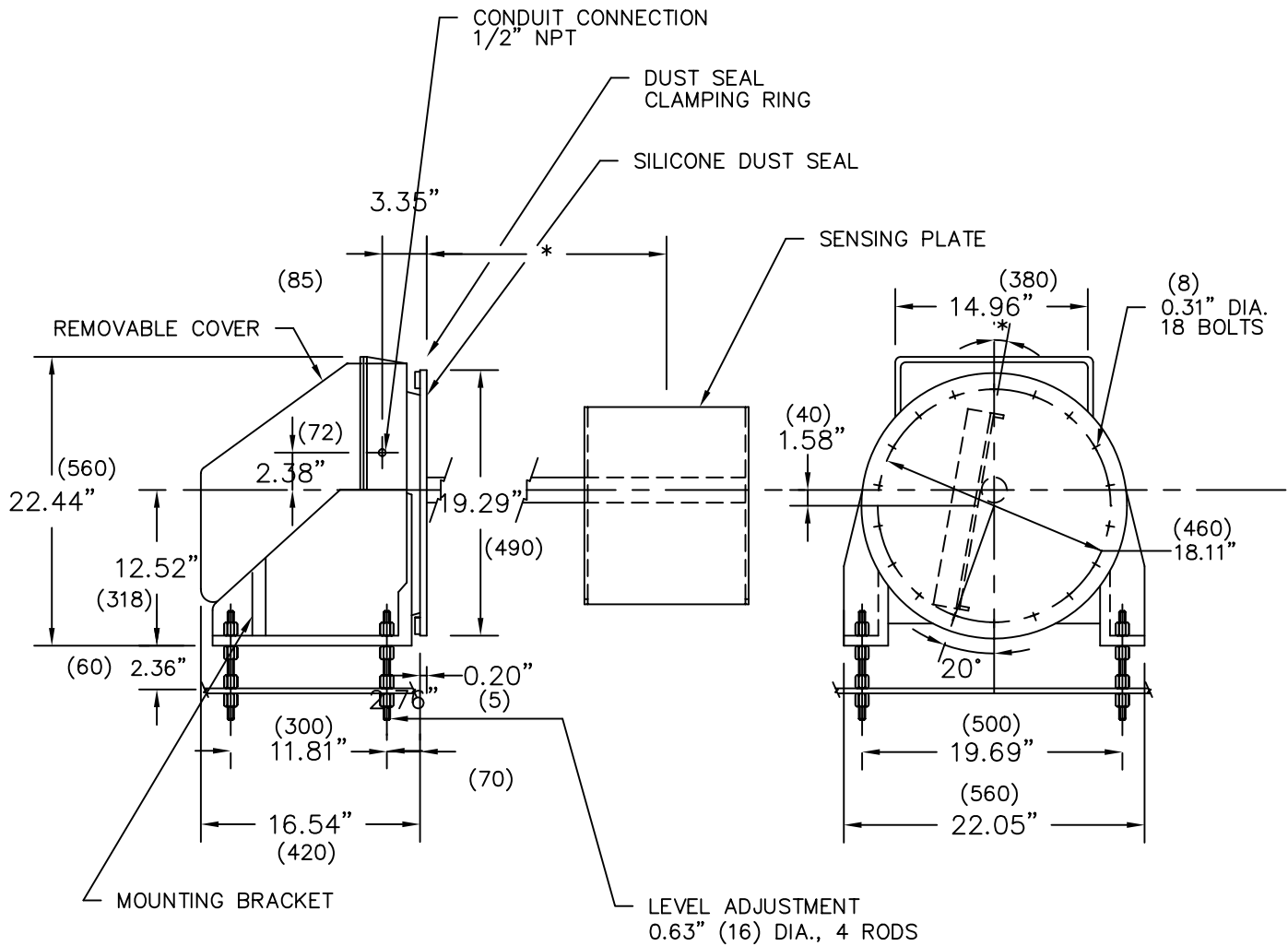


**CONFIDENTIAL**  
**IMPORTANT NOTICE**  
 THIS DOCUMENT REMAINS THE PROPERTY OF MILLTRONICS AND IS SUBJECT TO RECALL. IT MAY NOT BE COPIED, AND IS ISSUED SPECIFICALLY HAVE BEEN AUTHORIZED BY MILLTRONICS. IT IS TO BE MAINTAINED CONFIDENTIAL, SINCE IT MAY CONTAIN PROPRIETARY INFORMATION AND TRADE SECRETS OF MILLTRONICS OR OTHERS. THE ITEMS DEPICTED MAY THEMSELVES BE THE SUBJECT OF PATENTS, INDUSTRIAL DESIGN REGISTRATIONS OR COPYRIGHTS OF MILLTRONICS OR OTHERS, AND THE ISSUE OF THIS DRAWING DOES NOT IMPLY ANY LICENSE UNDER ANY SUCH RIGHTS.  
 COPYRIGHT MILLTRONICS  
 ALL RIGHTS RESERVED



**NOTES:**

1. ( ) INDICATES DIMENSIONS IN MILLIMETERS.
2. \* SEE INSTALLATION DRAWING.

1	CHANGED DUST SEAL TO ONLY SILICONE PER ECN #98-753-0-0006	RPC	RDC	JAN 19/99
0	FOR CONSTRUCTION	DLM		OCT 31/90
No.	REVISION DESCRIPTION	DWG BY	APPRO.	DATE

DRAWING SCALE NONE
DRAWN BY D. MCCONNELL
CHECKED BY
APPROVED BY

TOLERANCES UNLESS OTHERWISE NOTED 1 PLACE DECIMAL 2 PLACE DECIMAL 3 PLACE DECIMAL N/A	FRACTIONS ±N/A ANGLES ±0.N/A	THIRD ANGLE PROJECTION 
TITLE <b>E-61 SENSING HEAD OUTLINE DIMENSIONS</b>		

 <b>Mass Dynamics Division</b>	
FILE No. 10082601	DRAWING No. 1-7530008Z-DP-A
PLOT AT 1=1	REV. 1
JOB No. PDF	SHEET 1 OF 1