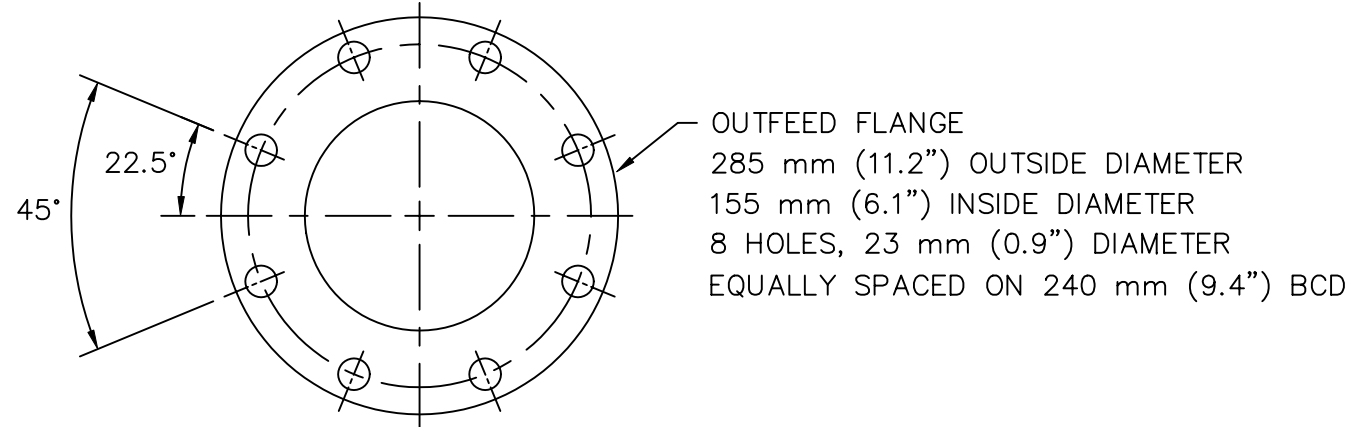


MILLFLO HOUSING
(CABINET)

ACCESS DOOR,
HINGED AND
LATCHED

NOTE

- 1) THE FLOWMETER MUST BE INSTALLED TO WITHIN $\pm 1^\circ$.
- 2) FOR SENSING PLATE REMOVAL, CLEARANCE OF 413 mm (16.25") ABOVE THE TOP COVER IS REQUIRED.
- 3) FOR FURTHER INFORMATION REFER TO THE MILLTRONICS MILLFLO INSTRUCTION MANUAL OR CONTACT YOUR SIEMENS MILLTRONICS REPRESENTATIVE.



USE DIMENSIONS ONLY - DO NOT SCALE	0	FOR RELEASE	RPC	RDC	MAR 12/04
DIMENSIONS ARE IN MILLIMETERS	Rev.	Revision / ECN Description	Drawn	Appr.	Date
Third Angle Projection 	Product Group MASS DYNAMICS	Tolerance Unless Otherwise Noted: UOS 1 Place Decimal ± 0.8 2 Place Decimal ± 0.3 3 Place Decimal ± 0.10	Scale: 0.188=1	Size: B	
FOR INTERNAL USE ONLY	Date: 12 MAR 2004	TITLE: 100 mm (4") MILLTRONICS MILLFLO 60°, C/W DIN FLANGE CUSTOMER OUTLINE DRAWING			
	Drawn: R.CLYSDALE	DRAWING No: 23650455			
	Checked: P. RICCI	Rev. 0			
	Approved: R. CLOSS				
	Location: PETERBOROUGH				
	SIEMENS MILLTRONICS PROCESS INSTRUMENTS INC. Peterborough, Ontario, Canada				
	File No. 2365045500	Plot at: 3=16	Sheet 1 of 1		