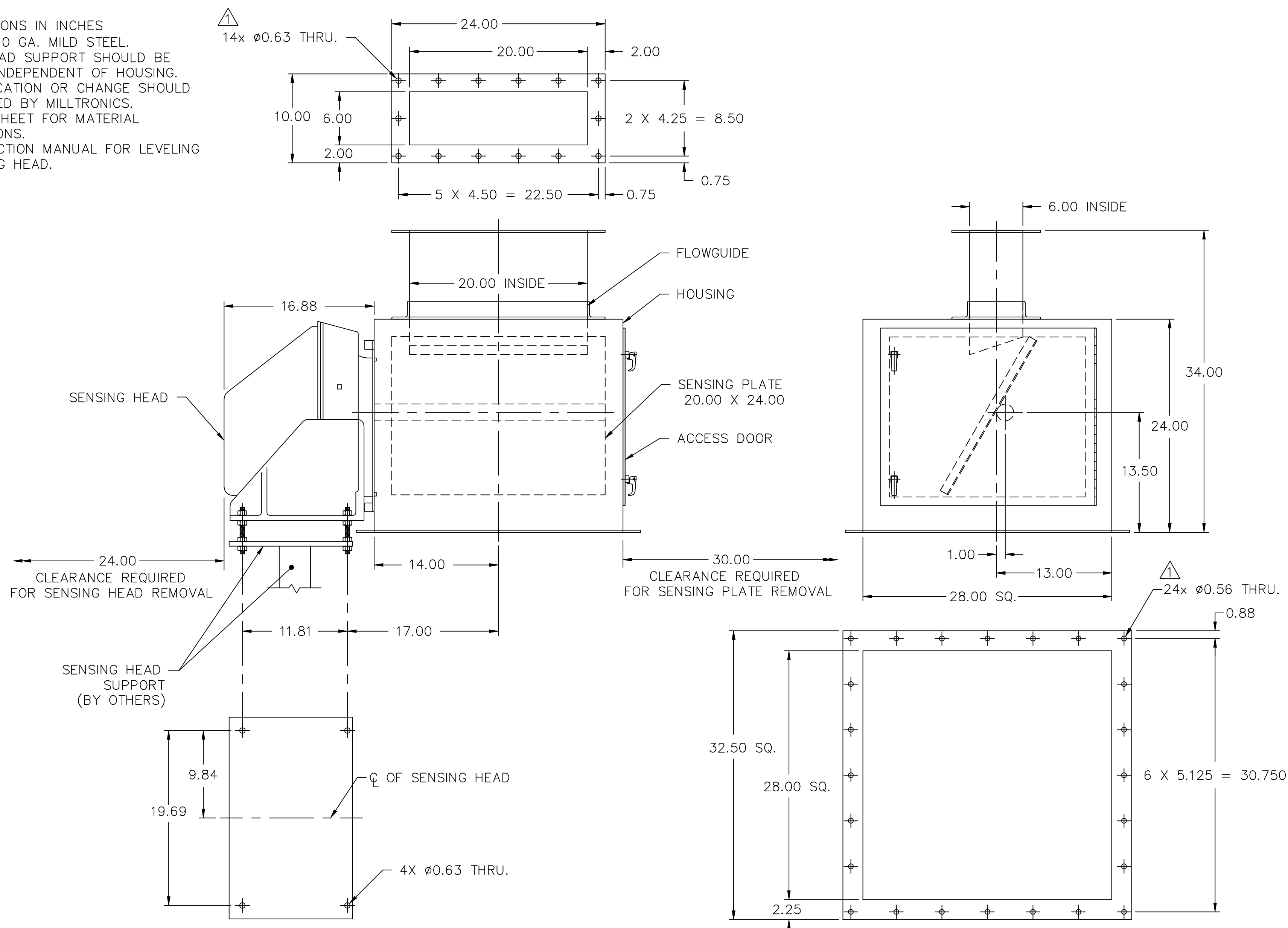


NOTES:


1. ALL DIMENSIONS IN INCHES
2. MATERIAL: 10 GA. MILD STEEL.
3. SENSING HEAD SUPPORT SHOULD BE RIGID AND INDEPENDENT OF HOUSING.
4. ANY MODIFICATION OR CHANGE SHOULD BE APPROVED BY MILLTRONICS.
5. SEE DATA SHEET FOR MATERIAL SPECIFICATIONS.
6. SEE INSTRUCTION MANUAL FOR LEVELING THE SENSING HEAD.



**CONFIDENTIAL**  
**IMPORTANT NOTICE**  
 THIS DOCUMENT REMAINS THE PROPERTY OF MILLTRONICS AND IS SUBJECT TO RECALL. IT MAY NOT BE COPIED, AND IS ISSUED AND CAN BE UTILIZED ONLY FOR SUCH LIMITED PURPOSES AS MAY SPECIFICALLY HAVE BEEN AUTHORIZED BY MILLTRONICS. IT IS TO BE MAINTAINED CONFIDENTIAL SINCE IT MAY CONTAIN PROPRIETARY INFORMATION AND TRADE SECRETS OF MILLTRONICS OR OTHERS. THE ITEMS DEPICTED MAY THEMSELVES BE THE SUBJECT OF PATENTS, INDUSTRIAL DESIGN REGISTRATIONS OR COPYRIGHTS OF MILLTRONICS OR OTHERS, AND THE ISSUE OF THIS DRAWING DOES NOT IMPLY ANY LICENSE UNDER ANY SUCH RIGHTS.  
 COPYRIGHT MILLTRONICS  
 ALL RIGHTS RESERVED.

SCALE 1/8	DATE
DRAWN T.M.	04.24.92
CHECKED HAU	04.27.92
APPROVED KAK	04.27.92

TOLERANCES UNLESS OTHERWISE NOTED	THIRD ANGLE PROJECTION
DIMENSIONS AS A DECIMAL	ANGLE ± 0.5°
TITLE	
V-300 FLMTR WITH 6 X 20 INLET	
OUTLINE DIMENSIONS	
V SERIES FLOWMETERS	

1	△	PER ECN A0005119	MRJ	5/19/93
NO SYM.		DESCRIPTION	APP.	DATE
REVISIONS				
 ARLINGTON, TEXAS				
FILE # 20200001	DRAWING NUMBER		REV	
PLOT @ 1=8	2-7580035Z-DU-C		1	
JOB No.	SHEET 1		OF 1	