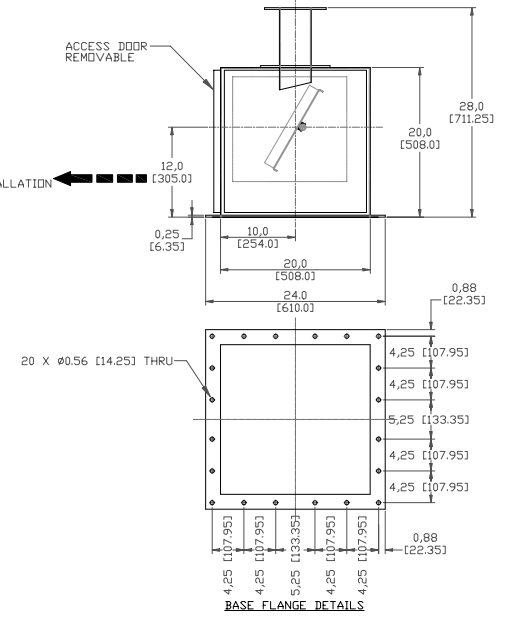
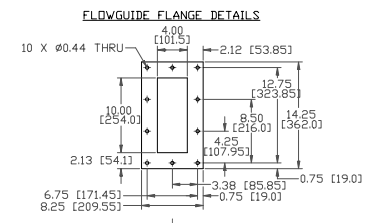
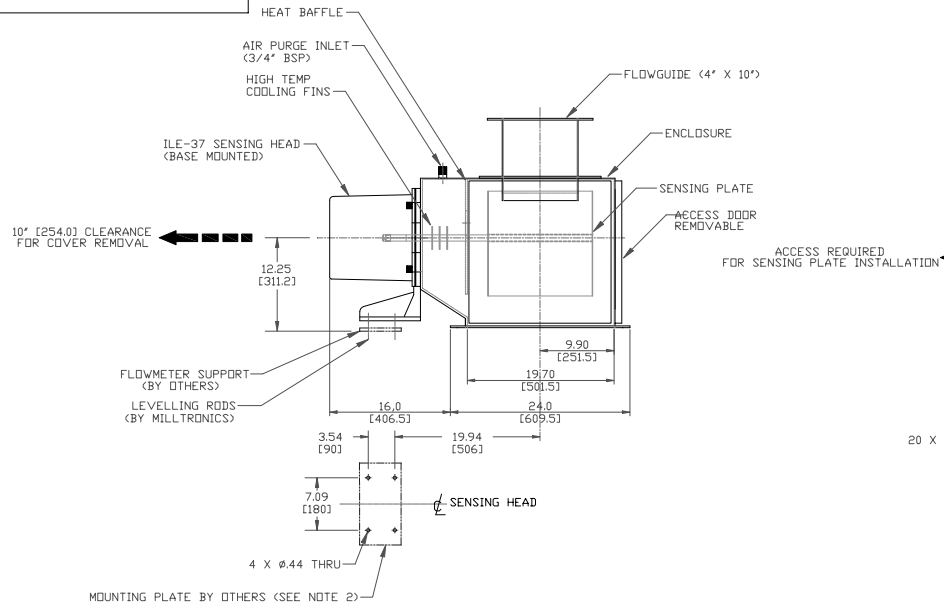


SYSTEM SPECIFICATION	
V-40 PART No.	
SERIAL No.	
ILE-37 PART No.	
ENGINEERED BY.	



- NOTES
- 1) DIMENSIONS IN INCHES. [] INDICATES DIMENSIONS IN MILLIMETRES
 - 2) FLOWMETER SUPPORT SHOULD BE RIGID AND INDEPENDENT OF ENCLOSURE
 - 3) ANY MODIFICATION OR CHANGE SHOULD BE APPROVED BY SIEMENS
 - 4) SEE DATA SHEET FOR MATERIAL SPECIFICATION
 - 5) SEE INSTRUCTION MANUAL FOR LEVELLING THE SENSING HEAD

00	REV_DES_0
No	DESCRIPTION

CONFIDENTIAL
IMPORTANT NOTICE

THIS DOCUMENT REMAINS THE PROPERTY OF SIEMENS AND IS SUBJECT TO RECALL. IT MAY NOT BE COPIED, AND IS ISSUED AND CAN BE UTILIZED ONLY FOR SUCH LIMITED PURPOSES AS MAY SPECIFICALLY HAVE BEEN AUTHORIZED BY SIEMENS. IT IS TO BE MAINTAINED CONFIDENTIAL, SINCE IT MAY CONTAIN PROPRIETARY INFORMATION AND TRADE SECRETS OF SIEMENS OR OTHERS. THE ITEMS DEPICTED MAY THEMSELVES BE THE SUBJECT OF PATENTS, INDUSTRIAL DESIGN REGISTRATIONS OR COPYRIGHTS OF SIEMENS OR OTHERS, AND THE ISSUE OF THIS DRAWING DOES NOT IMPLY ANY LICENSE UNDER ANY SUCH RIGHTS. COPYRIGHT SIEMENS ALL RIGHTS RESERVED

SCALE:	DATE
DRAWN:	
CHECKED:	
APPROVED:	

ALL DIMENSIONS IN MM UNLESS OTHERWISE NOTED
TOLERANCES UNLESS OTHERWISE NOTED
0-300 = ±0.30 ANGLE = ±0.5°
300+ = ±0.75

TITLE
V-40 FLOWMETER (4" X 10" FLOWGUIDE)
SPECIAL HIGH TEMP UNIT



REVISIONS		
SIEMENS		
FILE #	DRAWING NUMBER	REV
JOB No.	SHEET 1 OF 1	00