

ORDER INFORMATION

CUSTOMER: _____

YOUR REF.: _____

OUR REF.: _____

DATE: _____

SYSTEM SPECIFICATION

SENSING HEAD PN. _____

FLOW GUIDE PN. _____

SENSING PLATE PN. _____

CAL WEIGHT PART No. _____

SERIAL NUMBER. _____

ENGINEERED BY. _____

SUBMITTED FOR APPROVAL

PLEASE SIGN AND RETURN ONE COPY TO SIEMENS. THE QUOTED DELIVERY TIME IS BASED ON THE DATE THAT THIS APPROVED DRAWING IS RECEIVED BY SIEMENS.

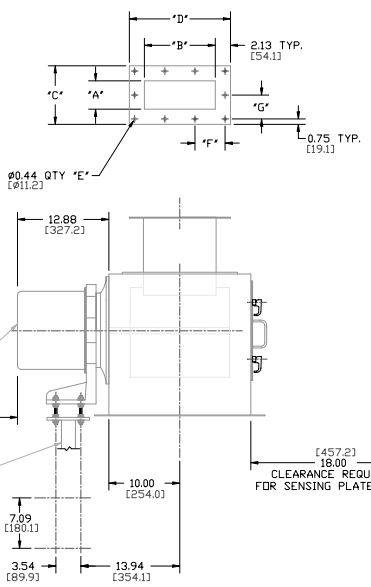
✱ IF THIS DRAWING IS NOT APPROVED WITHIN 24 HOURS ✱ THE ORDER WILL BE PROCESSED.

APPROVED APPROVED AS NOTED REVISE AND RESUBMIT

BY: _____ DATE: _____

V-40 FLOWMETER INLET FLANGE DETAIL

SIZE	A	B	C	D	E	F	G
V-40 1	3" [76MM]	6" [152MM]	7.25" [184MM]	10.25" [260MM]	8	4.38" [111MM]	2.88" [73MM]
V-40 2	4" [102MM]	10" [254MM]	8.25" [210MM]	14.25" [362MM]	10	4.25" [108MM]	3.38" [86MM]
V-40 3	5" [127MM]	12" [305MM]	9.25" [235MM]	16.25" [413MM]	12	3.69" [94MM]	3.88" [99MM]

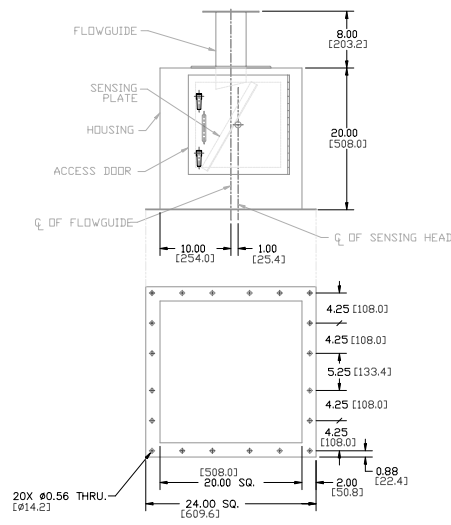


NOTES:

1. ALL DIMENSIONS IN INCHES. [] DENOTES DIMENSIONS IN MM.
2. MATERIAL: SEE TABLE.
3. FLOWMETER SUPPORT SHOULD BE RIGID AND INDEPENDENT OF HOUSING.
4. ANY MODIFICATION OR CHANGE SHOULD BE APPROVED BY MILLTRONICS.
5. SEE DATA SHEET FOR MATERIAL SPECIFICATIONS.
6. SEE INSTRUCTION MANUAL FOR LEVELLING THE FLOWMETER.

10GA UNLESS OTHERWISE NOTED

MILD STEEL
304SS
316SS



00	REV_DES_0
No	DESCRIPTION

CONFIDENTIAL
IMPORTANT NOTICE

THIS DOCUMENT REMAINS THE PROPERTY OF SIEMENS AND IS SUBJECT TO RECALL. IT MAY NOT BE COPIED, AND IS ISSUED AND CAN BE UTILIZED ONLY FOR SUCH LIMITED PURPOSES AS MAY SPECIFICALLY HAVE BEEN AUTHORIZED BY SIEMENS. IT IS TO BE MAINTAINED CONFIDENTIAL, SINCE IT MAY CONTAIN PROPRIETARY INFORMATION AND TRADE SECRETS OF SIEMENS OR OTHERS. THE ITEMS DEPICTED MAY THEMSELVES BE THE SUBJECT OF PATENTS, INDUSTRIAL DESIGN REGISTRATIONS OR COPYRIGHTS OF SIEMENS OR OTHERS, AND THE ISSUE OF THIS DRAWING DOES NOT IMPLY ANY LICENSE UNDER ANY SUCH RIGHTS. COPYRIGHT SIEMENS ALL RIGHTS RESERVED

SCALE: N.T.S. DATE: 29/04/04

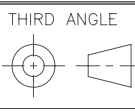
DRAWN: B.J.G.

CHECKED:

APPROVED:

ALL DIMENSIONS IN MM UNLESS OTHERWISE NOTED
TOLERANCES UNLESS OTHERWISE NOTED
0-300 = ±0.30 ANGLE = ±0.5°
300 + = ±0.75

TITLE
V-40 SOLIDS FLOWMETER (BASE MOUNT ILE-37)
CUSTOMER APPROVAL DRAWING



THIRD ANGLE

REVISIONS

SIEMENS

FILE # 30228600	DRAWING NUMBER 3-6700270Z-LG-A	REV 00
JOB No. --	SHEET 1 OF 1	