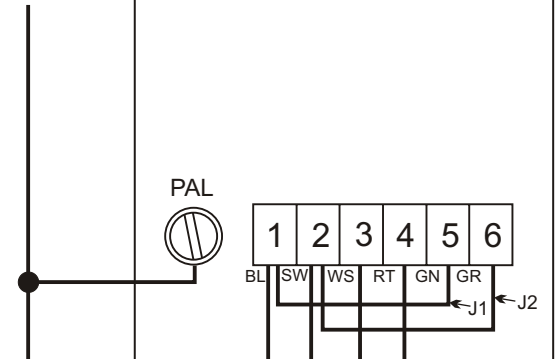
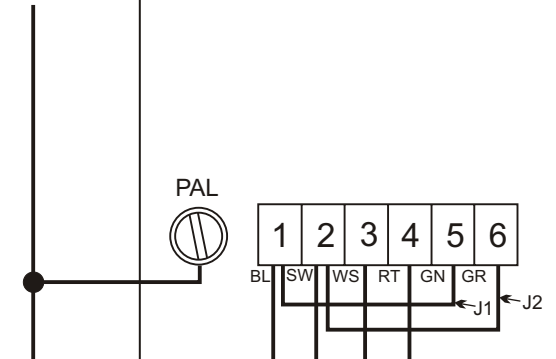
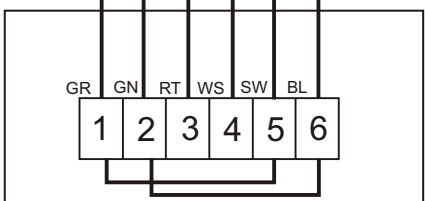
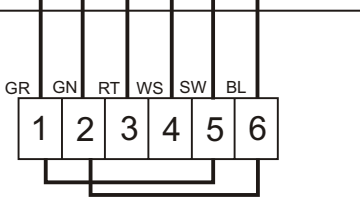
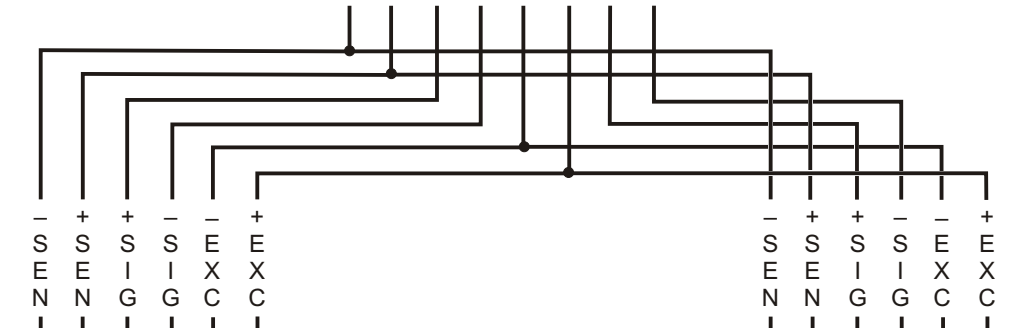


TO BW 100 TB1 18 19 4 3 17 20 2 1
 OR
 TO BW 500 / SF 500 TB1 13 12 1 2 14 11 3 4



SAFE AREA

HAZARDOUS AREA

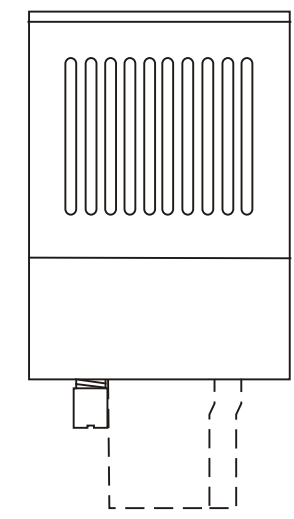
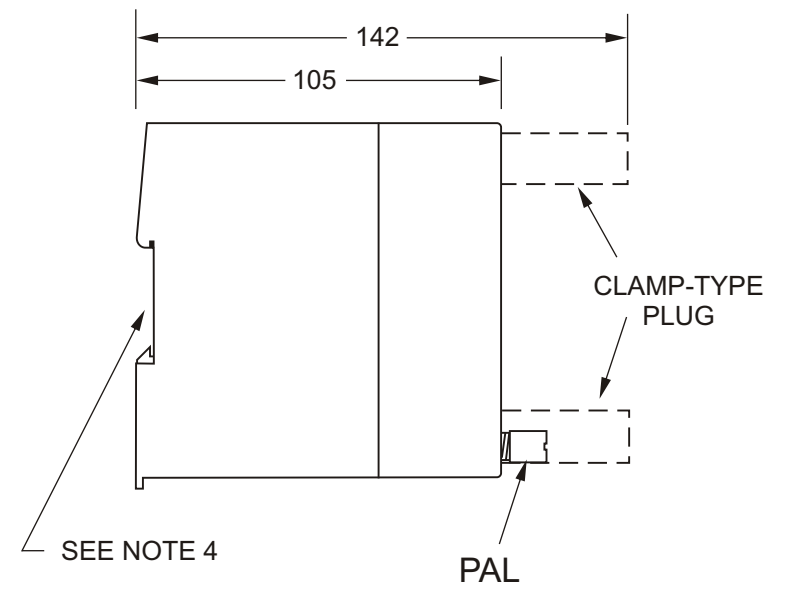
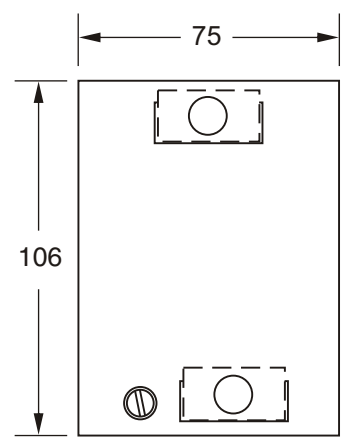
+ - + -
 E E S S
 X X I I
 C C G G

TO LOAD CELL A

+ - + -
 E E S S
 X X I I
 C C G G

TO LOAD CELL B

- NOTES:**
1. ALL DIMENSIONS IN mm
 2. ONLY QUALIFIED PERSONNEL MAY PERFORM THE NECESSARY CONNECTION AND INSTALLATION TASKS.
 3. THE Ex INTERFACE MUST BE INSTALLED OUTSIDE THE HAZARDOUS AREA WITHIN AN ELECTRICAL CABINET IN A VERTICAL ORIENTATION.
 4. THE Ex INTERFACE IS SECURED USING A 35 mm RAIL TO EN 50 022 STANDARD.
 5. FOR CABLE RUNS OVER 20 METERS J1 AND J2 MUST BE REMOVED AND ADDITIONAL CONDUCTORS INSTALLED. SPECIAL "EX LOAD CELL CABLE" HAS TO BE USED FOR THE INTRINSICALLY SAFE CIRCUITS. THE LOAD CELL CABLE WITHIN THE INTRINSICALLY SAFE AREA HAS TO WITHSTAND A TEST VOLTAGE OF AT LEAST 500 V.
 6. POTENTIAL EQUALIZATION LINE (PAL) AND GROUND MAY BE CONNECTED ONLY ONCE AT THE CENTRAL GROUNDING LOCATION OF THE BUILDING.



CONNECTION IS MADE AT THE FRONT USING TWO CLAMP-TYPE PLUGS

USE DIMENSIONS ONLY - DO NOT SCALE		0	FOR CONSTRUCTION	RPC	PTR	JULY 12/2005
DIMENSIONS ARE IN MILLIMETERS		Rev.	Revision / ECN Description	Drawn	Appr.	Date
Third Angle Projection 	Product Group	MASS DYNAMICS		Tolerance Unless Otherwise Noted: UOS	Scale:	Size:
	Date:	12 / JULY / 2005		0 PLC DECIMAL ± 0.8 1 PLC DECIMAL ± 0.3 2 PLC DECIMAL ± 0.10	Angles: ± 0.5°	NTS
FOR INTERNAL USE ONLY	Drawn:	R. CLYSDALE		TITLE: SIWAREX I.S., TWO LOAD CELLS & INTEGRATOR INTERCONNECTION DRAWING		
	Checked:	R. CLOSS				
	Approved:	P. RICCI				
	Location:	PETERBOROUGH				
	SIEMENS MILLTRONICS PROCESS INSTRUMENTS INC. Peterborough, Ontario, Canada		DRAWING No: 23650669		Rev. 0	
	File No. 2365066900	Plot at: 1 : 1	Sheet 1 of 1			