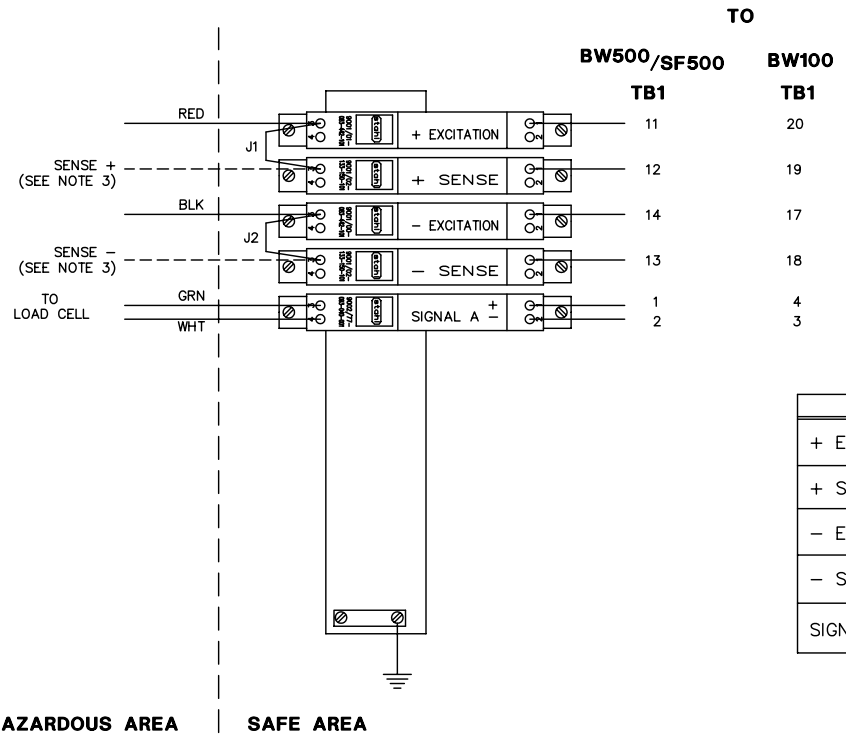
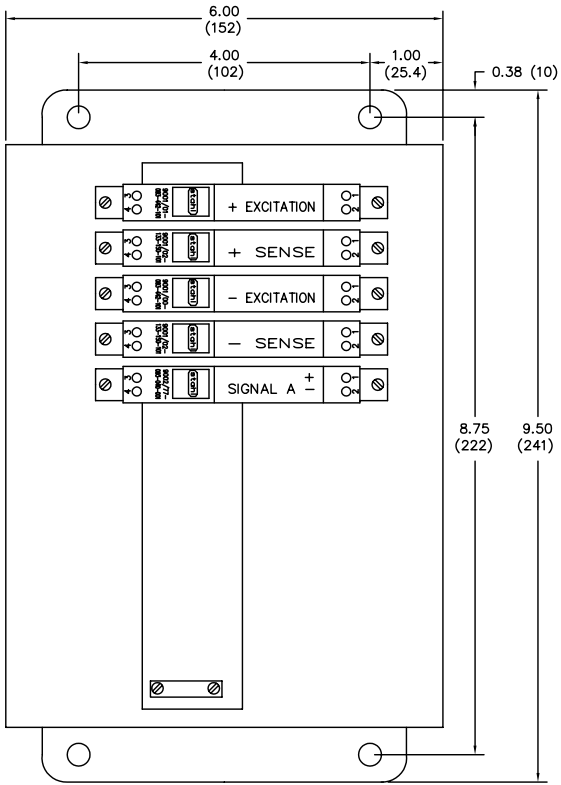


A I B I C I D I E I F I G I H I I I J I



USE	BARRIER ID. #
+ EXCITATION	9001/01-083-442-101
+ SENSE	9001/02-133-150-101
- EXCITATION	9001/00-083-442-101
- SENSE	9001/02-133-150-101
SIGNAL A ±	9002/77-093-040-001

HAZARDOUS AREA SAFE AREA

- NOTES**
- ALL DIMENSIONS ARE INCHES () DENOTES mm.
 - USED WITH ACCUMASS BW500.
 - FOR CABLE RUNS OVER 500 FT. JUMPERS J1 & J2 MUST BE REMOVED AND ADDITIONAL CONDUCTORS SUPPLIED.

1	UPDATE PER ECN 2005-0137	MAM	PJR	MAY 30/05			
0	FOR CONSTRUCTION	MAM	RDC	NOV 18/04			
USE DIMENSIONS ONLY - DO NOT SCALE		Rev.	Revision / ECN Description	Drawn	Appr.	Date	
DIMENSIONS ARE IN INCHES		Tolerance Unless Otherwise Noted: UOS		Scale:		Size:	
Third Angle Projection		Product Group	1 Place Decimal ± 0.03	Angles: ± 0.5°		B	
		MASS DYNAMICS	2 Place Decimal ± 0.01				
FOR INTERNAL USE ONLY		Date:	NONE				
		18/11/04					
		Drawn:	M. MORRISSEY		TITLE:		
		Checked:	P. RICCI		STAHL BARRIER PKG., CSA, FM, ATEX,		
		Approved:	R. CLOSS		ONE LOAD CELL & INTEGRATOR,		
		Location:	PETERBOROUGH		INTERCONNECTION DRAWING		
		SIEMENS MILLTRONICS PROCESS INSTRUMENTS INC.		DRAWING No:		Rev.	
		Peterborough, Ontario, Canada		23651685		1	
		File No.	2365168501	Plot at:	1=1	Sheet 1 Of 1	