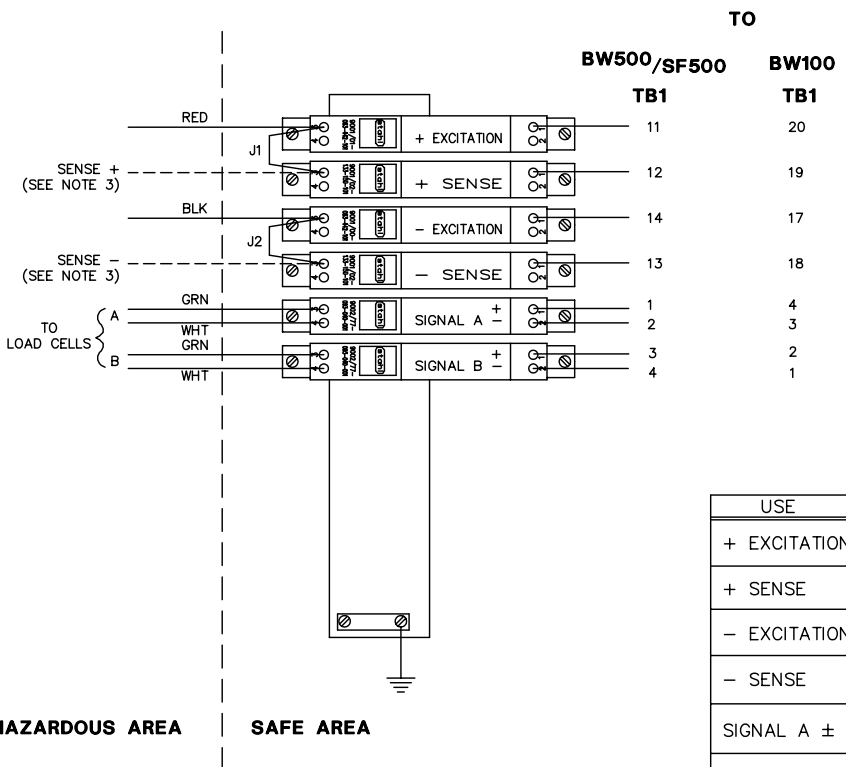
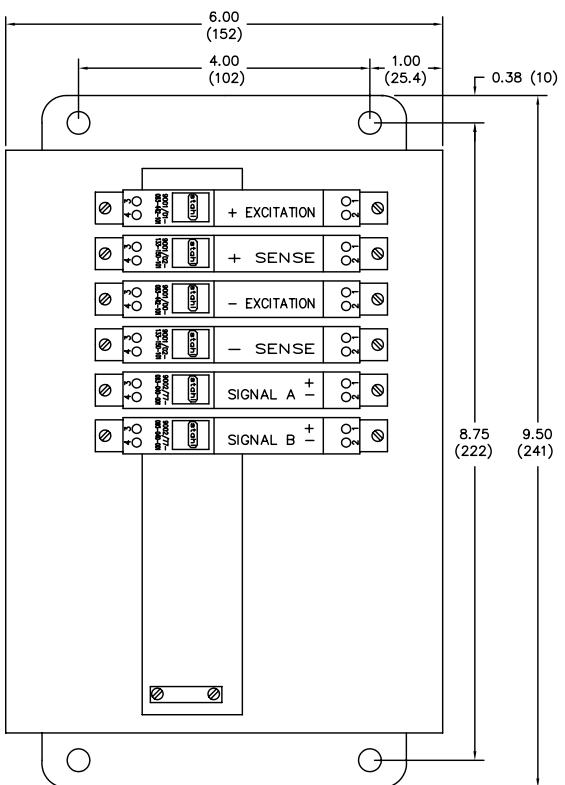


A I B I C I D I E I F I G I H I I I J I



USE	BARRIER ID. #
+ EXCITATION	9001/01-083-442-101
+ SENSE	9001/02-133-150-101
- EXCITATION	9001/00-083-442-101
- SENSE	9001/02-133-150-101
SIGNAL A ±	9002/77-093-040-001
SIGNAL B ±	9002/77-093-040-001

- NOTES**
1. ALL DIMENSIONS ARE INCHES () DENOTES mm.
 2. USED WITH ACCUMASS BW500.
 3. FOR CABLE RUNS OVER 500 FT. JUMPERS J1 & J2 MUST BE REMOVED AND ADDITIONAL CONDUCTORS SUPPLIED.

1	UPDATE PER ECN 2005-0137	MAM	PJR	MAY 30/05		
0	FOR CONSTRUCTION	MAM	RDC	NOV 18/04		
USE DIMENSIONS ONLY - DO NOT SCALE		Rev.	Revision / ECN Description	Drawn	Appr.	Date
DIMENSIONS ARE IN INCHES		Tolerance Unless Otherwise Noted: U05		Scale:	Size:	
Third Angle Projection		Product Group	1 Place Decimal ± 0.03	Angles:	NONE	
		MASS DYNAMICS	2 Place Decimal ± 0.01	± 0.5°	B	
Date: 18/11/04		Drawn: M. MORRISSEY	3 Place Decimal ± 0.002	TITLE:		
Checked: P. RICCI		Approved: R. CLOSS	STAHL BARRIER PKG., CSA, FM, ATEX			
Location: PETERBOROUGH		TWO LOAD CELLS & INTEGRATOR				
SIEMENS MILLTRONICS		DRAWING No: 23651686		Rev. 1		
PROCESS INSTRUMENTS INC.		Peterborough, Ontario, Canada		Plot at: 1=1		
File No. 2365168601		Sheet 1		Of 1		

FOR INTERNAL USE ONLY