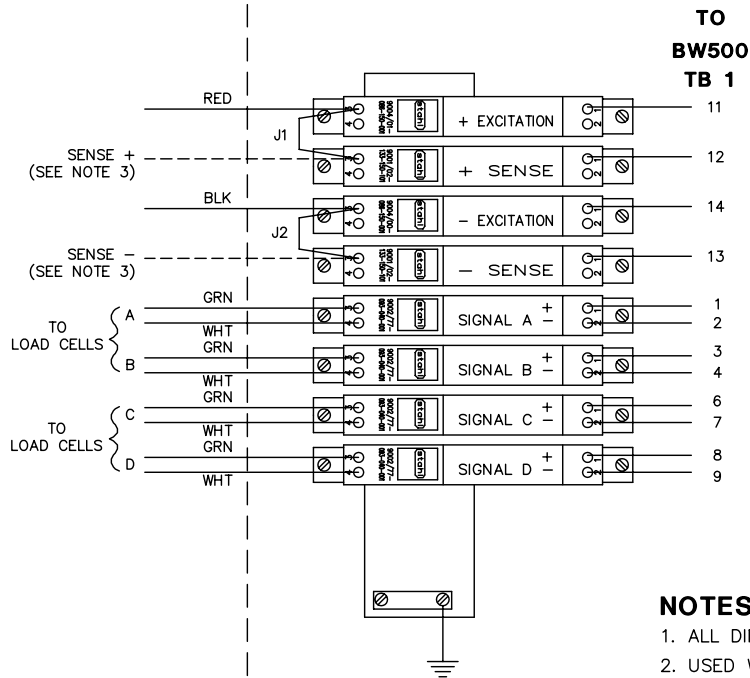
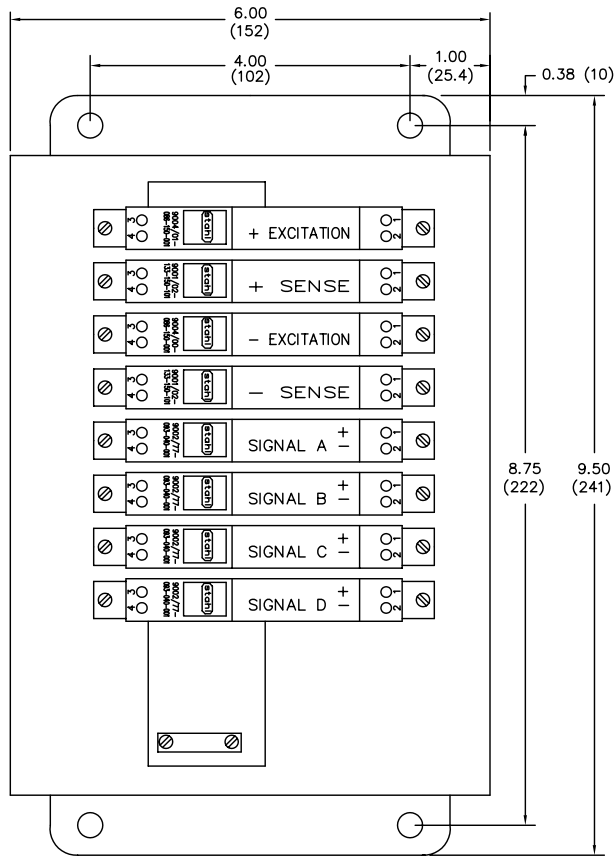


A I B I C I D I E I F I G I H I I I J I



| USE | BARRIER ID. # |
|--------------|---------------------|
| + EXCITATION | 9004/01-086-150-001 |
| + SENSE | 9001/02-133-150-101 |
| - EXCITATION | 9004/00-086-150-001 |
| - SENSE | 9001/02-133-150-101 |
| SIGNAL A ± | 9002/77-093-040-001 |
| SIGNAL B ± | 9002/77-093-040-001 |
| SIGNAL C ± | 9002/77-093-040-001 |
| SIGNAL D ± | 9002/77-093-040-001 |

**TO
BW500
TB 1**

HAZARDOUS AREA

SAFE AREA

NOTES

1. ALL DIMENSIONS ARE INCHES () DENOTES mm.
2. USED WITH ACCUMASS BW500.
3. FOR CABLE RUNS OVER 500 FT. JUMPERS J1 & J2 MUST BE REMOVED AND ADDITIONAL CONDUCTORS SUPPLIED.

| | | | | | | |
|---|--|--------------------------|----------------------------|---|----------|-----------|
| 1 | | UPDATE PER ECN 2005-0137 | | MAM | PJR | MAY 30/05 |
| 0 | | FOR CONSTRUCTION | | MAM | RDC | NOV 18/04 |
| DIMENSIONS ARE IN INCHES | | Rev. | Revision / ECN Description | Drawn | Appr. | Date |
| | Product Group | MASS DYNAMICS | | Tolerance Unless Otherwise Noted: UOS | Scale: | Size: |
| | Date: | 18/11/04 | | 1 Place Decimal ± 0.03 | ± 0.5° | NONE |
| <p>FOR INTERNAL USE ONLY</p> | Drawn: | M. MORRISSEY | | 2 Place Decimal ± 0.01 | | |
| | Checked: | P. RICCI | | 3 Place Decimal ± 0.002 | | |
| | Approved: | R. CLOSS | | TITLE: STAHL BARRIER PKG., CSA, FM, ATEX 4 LOAD CELLS & INTEGRATOR INTERCONNECTION DIAGRAM | | |
| | Location: | PETERBOROUGH | | DRAWING No: | 23651687 | |
| | SIEMENS MILLTRONICS PROCESS INSTRUMENTS INC. Peterborough, Ontario, Canada | File No. | 2365168701 | Plot at: | 1=1 | |
| | | | | Sheet | 1 Of 1 | |