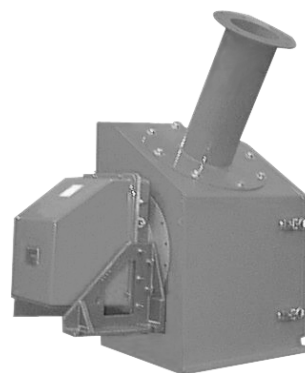


**M**illtronics E Series solids flowmeters are low- to medium-capacity flowmeters for various product sizes, densities, and fluidities, particularly fine powders. E Series flowmeters are totally enclosed, and with weighing mechanics located externally, they are unaffected by corrosive, abrasive, or hot materials. They will operate at process temperatures up to 230 °C (450 °F). They help to provide improved final product, increased operating efficiency and significant cost savings.

Operating with the appropriate ILE sensing head and a microprocessor based integrator package, the E Series flowmeters provide a display of flow rate, totalized flow and alarms. Outputs are 0/4–20 mA proportional to rate, and contact closure for remote totalization.

Dry bulk solids enter the flow guide producing a mechanical deflection as they strike the flowmeter sensing plate before continuing through the process unhindered. The LVDT of the sensing head converts the horizontal deflection into an electrical signal. The integrator processes this into a display of flow rate and integrated total weight. The weighing process is immune to the effect of product build up as only the horizontal force is measured.



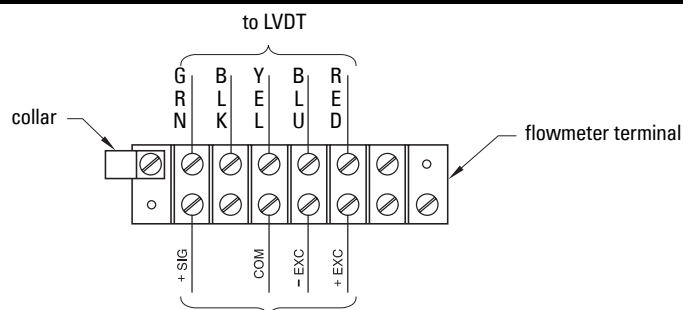
**Product Features**

- For specialized pre-feed applications
- Sensing element mounted outside process
- Flowrates from 0.2 to 300 t/h (0.2 to 330 STPH)
- Process temperatures to 232 °C (450 °F)

**Technical Specifications**

E Series	
Application	General purpose for most pre-feed applications
Particle size	E-40: Fine powder up to 13 mm (0.5") E-300: Fine powder up to 25 mm (1")
Product temperature (optional)	-40 to 232 °C (-40 to 450 °F) -40 to 400 °C (-40 to 750 °F)
Ambient temperature	-40 to 60 °C (-40 to 140 °F)
Accuracy	±1%, 33 to 100% of design capacity; extended accuracy range with linearization function of integrator
Repeatability	±0.2%
Capacity range	E-40 0.2 to 40 t/h (0.2 to 44 STPH) E-300 20 to 300 t/h (22 to 330 STPH) (Flowrates are based on material bulk density and flowguide selection)
Construction	Standard: Painted mild steel enclosure and 304 (1.4306) stainless steel sensing plate Optional: special coatings for flowguide and sensing plate
Sensing heads	E-40: ILE-37 E-300: ILE-61
Integrator	Milltronics SF 500

**Wiring**

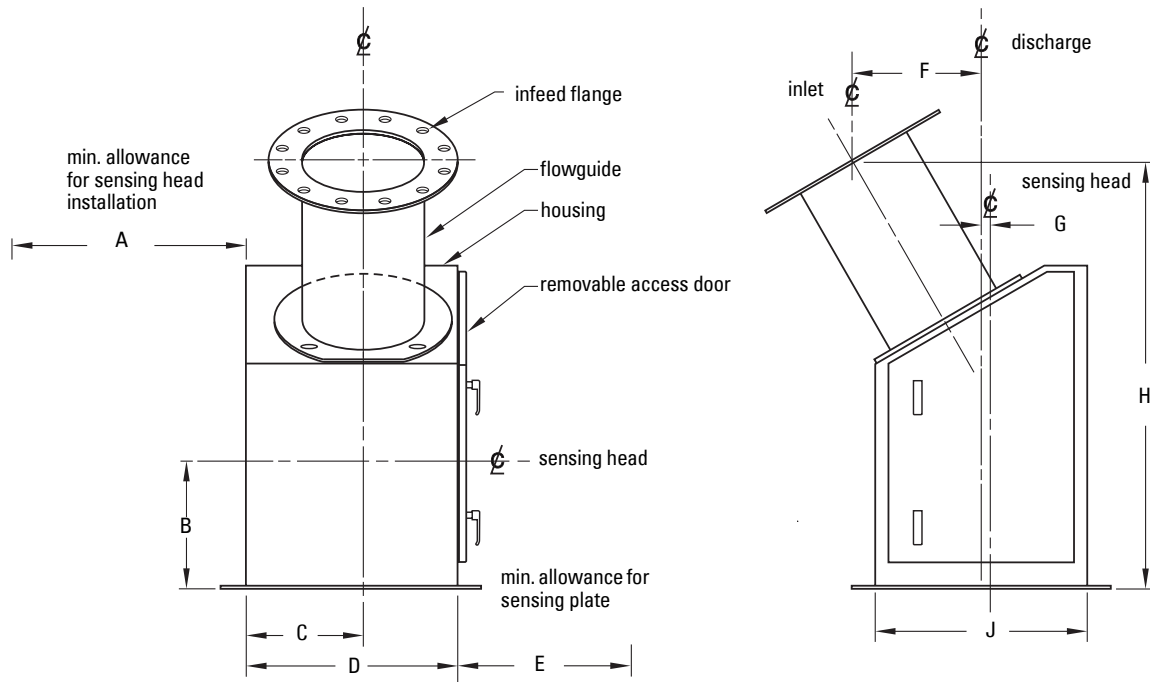


To the LVDT conditioner card (internally or externally mounted) and Milltronics SF 500 integrator  
Consult Siemens Milltronics representative for hazardous rated versions.

*Specifications are subject to change without notice.*

# Milltronics E Series

## Dimensions



### Common Measurements

Model	A	B	C	D	E	F	G	H	J
E-40 Series	686 mm (27")	356 mm (14")	254 mm (10")	457 mm (18")	610 mm (24")	279 mm (11")	25 mm (1")	914 mm (36")	457 mm (18")
E-300 Series	1042 mm (41")	457 mm (18")	305 mm (12")	610 mm (24")	610 mm (24")	330 mm (13")	38 mm (1.5")	1270 mm (50")	610 mm (24")

E-40 Inlet Sizes				
50 mm (2")	102 mm (4")	152 mm (6")	203 mm (8")	254 mm (10")

E-300 Inlet Sizes					
152 mm (6")	203 mm (8")	254 mm (10")	305 mm (12")	356 mm (14")	406 mm (16")

Inlet sizes are selected by full scale rate and bulk density calculations.