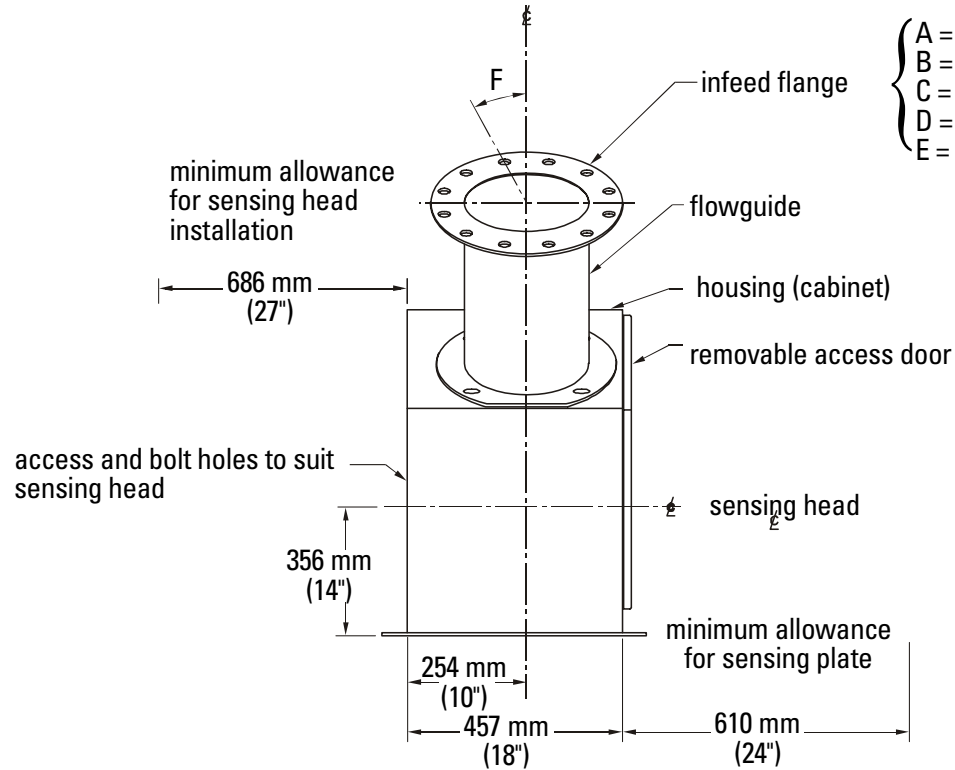
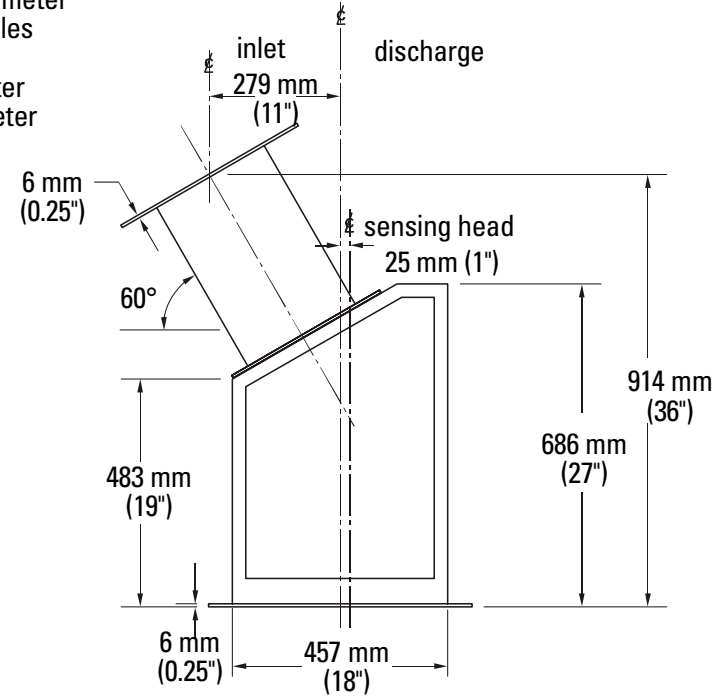


E-40 Outline and Mounting



A = bolt circle diameter
 B = number of holes
 C = size of holes
 D = inside diameter
 E = outside diameter



Flowmeter Infeed Flange

Size	A	B	C	D	E	F
1	121 mm (4.75")	4	19 mm (0.75")	51 mm (2")	152 mm (6")	45°
2	191 mm (7.5")	8	19 mm (0.75")	102 mm (4")	229 mm (9")	22.5°
3	241 mm (9.5")	8	22 mm (0.88")	152 mm (6")	279 mm (11")	22.5°
4	298 mm (11.75")	8	22 mm (0.88")	207 mm (8.13")	343 mm (13.5")	22.5°
5	362 mm (14.25")	12	25 mm (1")	260 mm (10.25")	406 mm (16")	15°

Notes:

1. Mild steel or stainless construction.
2. Sensing head support should be rigid and independent of housing for base mount versions.
3. Infeed flanges shown are ANSI patterns; DIN patterns also available

