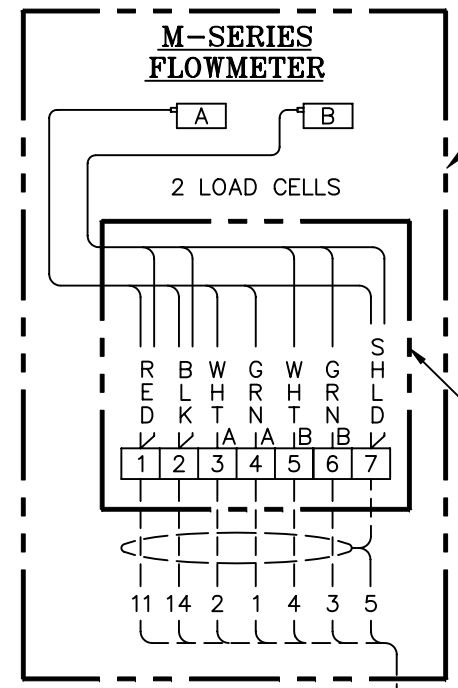


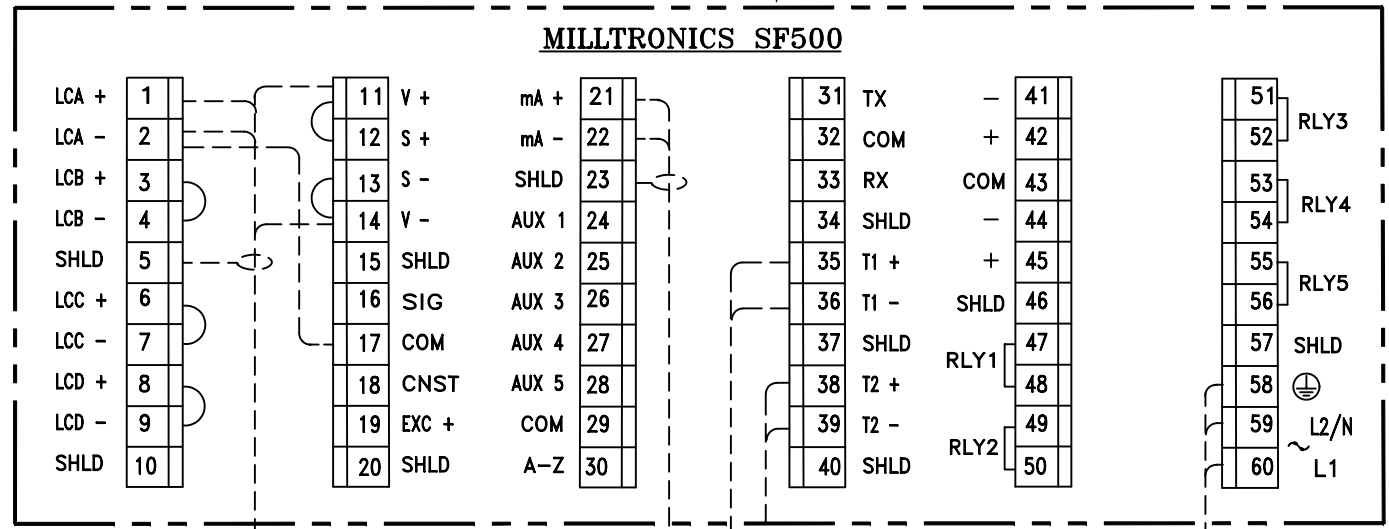
! SEE INSTRUCTION MANUAL FOR PROPER OPERATION.



MILLTRONICS M, MA, OR L - SERIES FLOWMETER, SEE INSTRUCTION MANUAL

NEMA 4 RATED JUNCTION BOX, BY SIEMENS MILLTRONICS

6 CONDUCTOR, 20 AWG., SHIELDED CABLE, BELDEN 9260 OR EQUIVALENT, BY CUSTOMER, SEE NOTES 1 & 2



SEE MILLTRONICS SF500 INSTALLATION DIAGRAM

2 CONDUCTOR, 18 AWG., SHIELDED CABLE, BELDEN 8760 OR EQUIVALENT, BY CUSTOMER

ISOLATED 0/4 - 20 mA OUTPUT, 750 OHMS MAX. LOAD DO NOT GROUND! SEE NOTES 1 & 4

SOLID STATE CONTACT DC REMOTE TOTALIZER, #1 SEE NOTES 1 & 5

SOLID STATE CONTACT AC/DC REMOTE TOTALIZER, #2 SEE NOTES 1 & 5

POSITION SW2 FOR 100/115/200/230 V ~ ± 10% OPERATION 50/60 Hz, 31 VA, SEE NOTES 1 & 3

NOTES:

- 1) ——— DENOTES WIRING BY SIEMENS MILLTRONICS.
 - - - - DENOTES WIRING BY CUSTOMER.
 CUSTOMER TO REMOVE APPLICABLE JUMPERS.
 ALL WIRING MUST BE DONE IN CONJUNCTION WITH APPROVED CONDUIT, BOXES AND FITTINGS AND TO PROCEDURES IN ACCORDANCE WITH ALL GOVERNING REGULATIONS. ALL SIGNAL WIRE MUST BE RUN IN SEPARATE CONDUIT FROM CONTROL WIRES.
- 2) FOR CABLE RUNS OVER 150 m (500 FT.) CONTACT YOUR SIEMENS MILLTRONICS REPRESENTATIVE.
- 3) SELECT CORRECT VOLTAGE VIA SELECTOR SW2, BY CUSTOMER.
- 4) ANALOG OUTPUT WIRING MUST ENTER THE ENCLOSURE AS NEAR AS POSSIBLE TO THE ANALOG OUTPUT TERMINALS 21 & 22. KEEP WIRING AS SHORT AS POSSIBLE. DO NOT ROUTE CABLE ALONG TERMINAL BLOCK. GROUND SHIELD ONLY AT TB1-23.
- 5) TOTALIZER #1 RATING: 100 mA @ 24 VDC, USE 2 CONDUCTOR #18 AWG., SHIELDED CABLE. TOTALIZER #2 RATING: 100 mA @ 250V AC OR DC.
- 6) FOR FURTHER INFORMATION REFER TO THE MILLTRONICS SF500, AND MILLTRONICS M, MA, OR L-SERIES FLOWMETER INSTRUCTION MANUALS, OR CONTACT YOUR SIEMENS MILLTRONICS REPRESENTATIVE.

1		ADD SIEMENS TO COMPANY NAME, ADD MILLTRONICS TO PRODUCT NAME PER ECN 2003-0292		RPC	PTR	FEB 25/2004
0		FOR RELEASE		RPC	RDC	OCT 31/00
USE DIMENSIONS ONLY - DO NOT SCALE		Rev.		Revision / ECN Description		Date
DIMENSIONS ARE IN INCHES		Rev.		Revision / ECN Description		Date
Third Angle Projection 	Product Group		Tolerance Unless Otherwise Noted: U05		Scale:	Size:
	MASS DYNAMICS		1 Place Decimal ± 0.03 2 Place Decimal ± 0.01 3 Place Decimal ± 0.002		NTS	B
For Public Release	Date: 31 OCT 2000		TITLE: MILLTRONICS SF500 C/W 2 LOADCELLS FLOWMETER CUSTOMER WIRING DRAWING			
	Drawn: R. CLYSDALE		DRAWING No: 23650178			
	Checked: P. RICCI		Rev. 1			
	Approved: R. CLOSS		Sheet 1 Of 1			
Location: PETERBOROUGH		SIEMENS MILLTRONICS PROCESS INSTRUMENTS INC. Peterborough, Ontario, Canada		Plot at: 1=1		File No. 2365017801