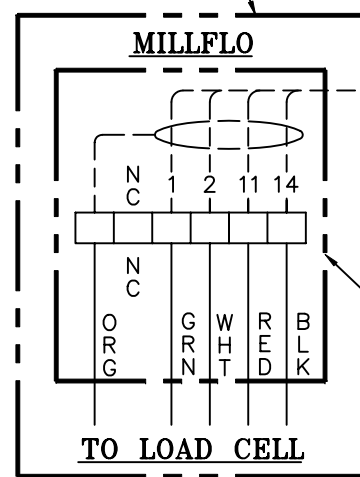


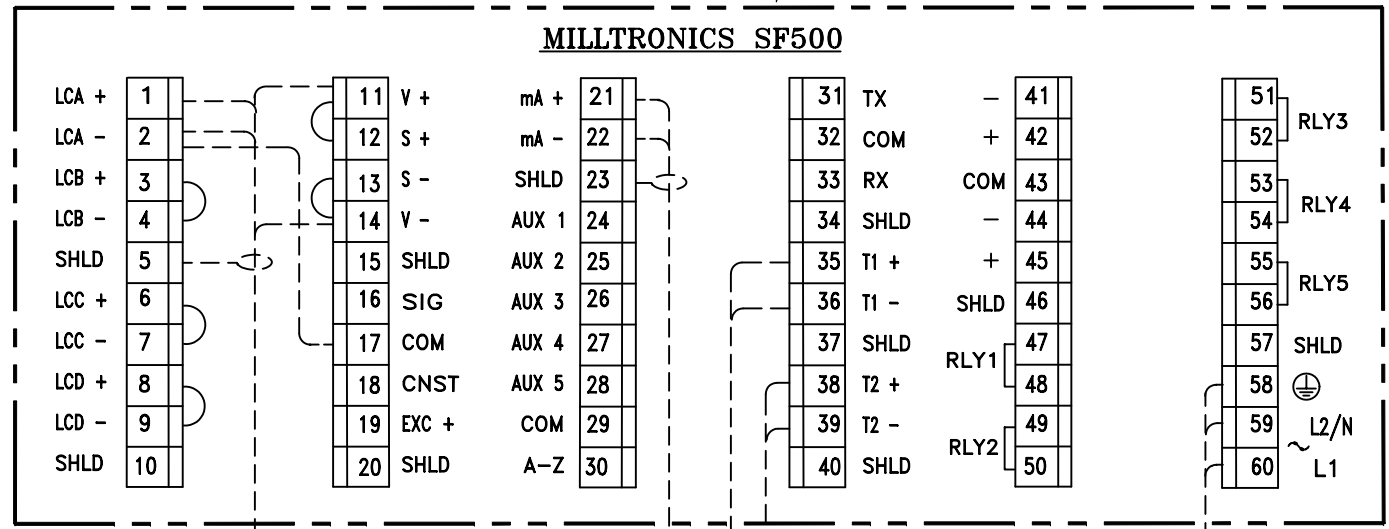
 SEE INSTRUCTION MANUAL FOR PROPER OPERATION.

SEE MILLTRONICS SF500 INSTALLATION DIAGRAM

MILLTRONICS MILLFLO  
SEE INSTRUCTION MANUAL



MILLFLO  
JUNCTION BOX,  
BY SIEMENS MILLTRONICS



4 CONDUCTOR, 20 AWG., SHIELDED CABLE,  
BELDEN 8404 OR EQUIVALENT,  
BY CUSTOMER,  
SEE NOTES 1 & 2

2 CONDUCTOR, 18 AWG.,  
SHIELDED CABLE,  
BELDEN 8760  
OR EQUIVALENT,  
BY CUSTOMER

+ | -  
ISOLATED  
0/4 - 20 mA  
OUTPUT,  
750 OHMS  
MAX. LOAD  
DO NOT GROUND!  
SEE NOTES 1 & 4

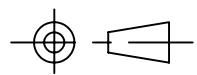

+ | -  
SOLID STATE  
CONTACT  
DC REMOTE  
TOTALIZER, #1  
SEE NOTES 1 & 5

+ | -  
SOLID STATE  
CONTACT  
AC/DC REMOTE  
TOTALIZER, #2  
SEE NOTES 1 & 5

POSITION SW2 FOR  
100/115/200/230 V ~ ± 10%  
OPERATION 50/60 Hz, 31 VA,  
SEE NOTES 1 & 3

**NOTES:**

- 1) ——— DENOTES WIRING BY SIEMENS MILLTRONICS.  
----- DENOTES WIRING BY CUSTOMER.  
CUSTOMER TO REMOVE APPLICABLE JUMPERS.  
ALL WIRING MUST BE DONE IN CONJUNCTION WITH APPROVED CONDUIT, BOXES AND FITTINGS  
AND TO PROCEDURES IN ACCORDANCE WITH ALL GOVERNING REGULATIONS. ALL SIGNAL  
WIRE MUST BE RUN IN SEPARATE CONDUIT FROM CONTROL WIRES.
- 2) FOR CABLE RUNS OVER 150 m (500 FT.) CONTACT YOUR SIEMENS MILLTRONICS REPRESENTATIVE.
- 3) SELECT CORRECT VOLTAGE VIA SELECTOR SW2, BY CUSTOMER.
- 4) ANALOG OUTPUT WIRING MUST ENTER THE ENCLOSURE AS NEAR AS POSSIBLE TO THE  
ANALOG OUTPUT TERMINALS 21 & 22. KEEP WIRING AS SHORT AS POSSIBLE. DO NOT  
ROUTE CABLE ALONG TERMINAL BLOCK. GROUND SHIELD ONLY AT TB1-23.
- 5) TOTALIZER #1 RATING: 100 mA @ 24 VDC, USE 2 CONDUCTOR #18 AWG., SHIELDED CABLE.  
TOTALIZER #2 RATING: 100 mA @ 250V AC OR DC.
- 6) FOR FURTHER INFORMATION REFER TO THE MILLTRONICS SF500, AND MILLTRONICS MILLFLO FLOWMETER  
INSTRUCTION MANUALS, OR CONTACT YOUR SIEMENS MILLTRONICS REPRESENTATIVE.

1	ADD SIEMENS TO COMPANY NAME, ADD MILLTRONICS TO PRODUCT NAME PER ECN 2003-0292	RPC	PTR	FEB 25/2004
0	FOR RELEASE	RPC	RDC	OCT 31/00
Rev.	Revision / ECN Description	Drawn	Appr.	Date
		Product Group MASS DYNAMICS	Tolerance Unless Otherwise Noted: UOS 1 Place Decimal ± 0.03 2 Place Decimal ± 0.01 3 Place Decimal ± 0.002	Scale: NTS
		Date: 31 OCT 2000	TITLE: MILLTRONICS SF500 C/W 1 LOADCELL FLOWMETER CUSTOMER WIRING DRAWING	
		Drawn: R. CLYSDALE	DRAWING No: 23650179	
		Checked: P. RICCI	Rev. 1	
		Approved: R. CLOSS		
		Location: PETERBOROUGH		
		SIEMENS MILLTRONICS PROCESS INSTRUMENTS INC. Peterborough, Ontario, Canada		
		File No. 2365017901	Plot at: 1=1	Sheet 1 Of 1