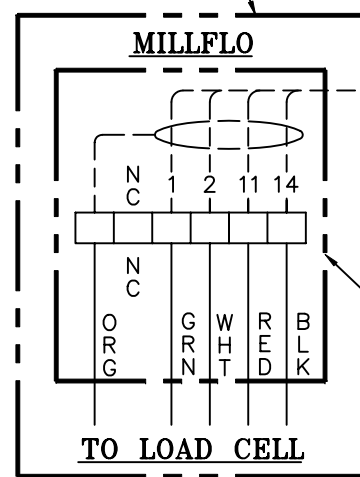


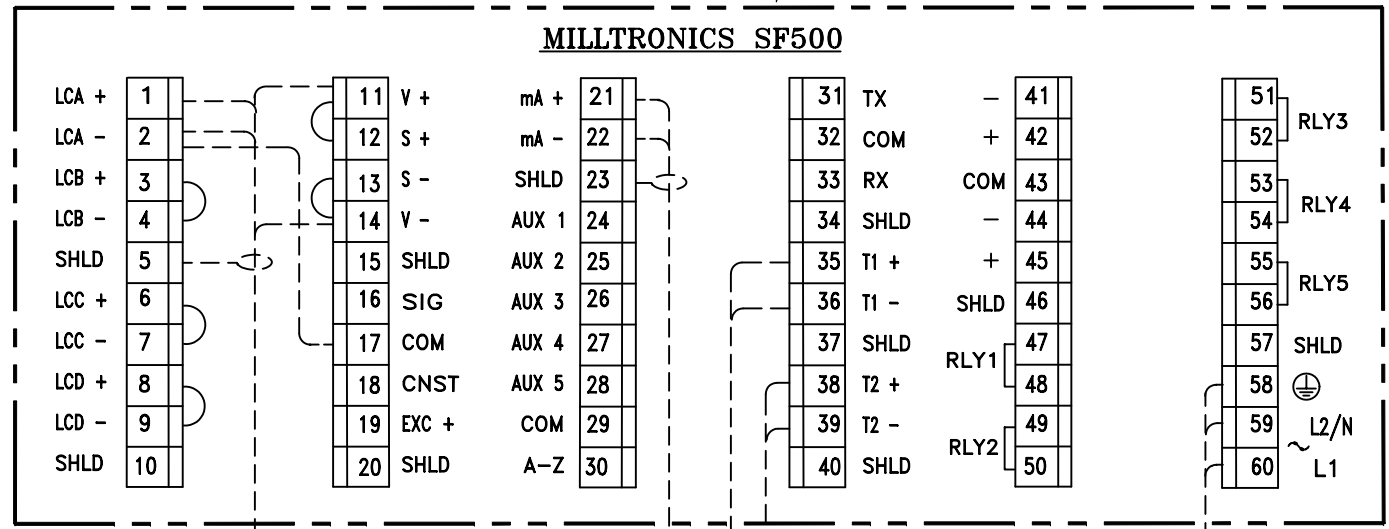
 SEE INSTRUCTION MANUAL FOR PROPER OPERATION.

SEE MILLTRONICS SF500 INSTALLATION DIAGRAM

MILLTRONICS MILLFLO
SEE INSTRUCTION MANUAL



MILLFLO
JUNCTION BOX,
BY SIEMENS MILLTRONICS



4 CONDUCTOR, 20 AWG., SHIELDED CABLE,
BELDEN 8404 OR EQUIVALENT,
BY CUSTOMER,
SEE NOTES 1 & 2

2 CONDUCTOR, 18 AWG.,
SHIELDED CABLE,
BELDEN 8760
OR EQUIVALENT,
BY CUSTOMER

+ | -
ISOLATED
0/4 - 20 mA
OUTPUT,
750 OHMS
MAX. LOAD
DO NOT GROUND!
SEE NOTES 1 & 4

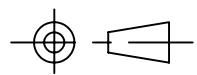
+ | -
SOLID STATE
CONTACT
DC REMOTE
TOTALIZER, #1
SEE NOTES 1 & 5

+ | -
SOLID STATE
CONTACT
AC/DC REMOTE
TOTALIZER, #2
SEE NOTES 1 & 5

POSITION SW2 FOR
100/115/200/230 V ~ ± 10%
OPERATION 50/60 Hz, 31 VA,
SEE NOTES 1 & 3

NOTES:

- 1) ——— DENOTES WIRING BY SIEMENS MILLTRONICS.
----- DENOTES WIRING BY CUSTOMER.
CUSTOMER TO REMOVE APPLICABLE JUMPERS.
ALL WIRING MUST BE DONE IN CONJUNCTION WITH APPROVED CONDUIT, BOXES AND FITTINGS
AND TO PROCEDURES IN ACCORDANCE WITH ALL GOVERNING REGULATIONS. ALL SIGNAL
WIRE MUST BE RUN IN SEPARATE CONDUIT FROM CONTROL WIRES.
- 2) FOR CABLE RUNS OVER 150 m (500 FT.) CONTACT YOUR SIEMENS MILLTRONICS REPRESENTATIVE.
- 3) SELECT CORRECT VOLTAGE VIA SELECTOR SW2, BY CUSTOMER.
- 4) ANALOG OUTPUT WIRING MUST ENTER THE ENCLOSURE AS NEAR AS POSSIBLE TO THE
ANALOG OUTPUT TERMINALS 21 & 22. KEEP WIRING AS SHORT AS POSSIBLE. DO NOT
ROUTE CABLE ALONG TERMINAL BLOCK. GROUND SHIELD ONLY AT TB1-23.
- 5) TOTALIZER #1 RATING: 100 mA @ 24 VDC, USE 2 CONDUCTOR #18 AWG., SHIELDED CABLE.
TOTALIZER #2 RATING: 100 mA @ 250V AC OR DC.
- 6) FOR FURTHER INFORMATION REFER TO THE MILLTRONICS SF500, AND MILLTRONICS MILLFLO FLOWMETER
INSTRUCTION MANUALS, OR CONTACT YOUR SIEMENS MILLTRONICS REPRESENTATIVE.

1		ADD SIEMENS TO COMPANY NAME, ADD MILLTRONICS TO PRODUCT NAME PER ECN 2003-0292		RPC	PTR	FEB 25/2004
0		FOR RELEASE		RPC	RDC	OCT 31/00
USE DIMENSIONS ONLY - DO NOT SCALE		Rev.		Revision / ECN Description		Date
DIMENSIONS ARE IN INCHES		Rev.		Revision / ECN Description		Date
Third Angle Projection 	Product Group		Tolerance Unless Otherwise Noted: UOS		Scale:	Size:
	MASS DYNAMICS		1 Place Decimal ± 0.03 2 Place Decimal ± 0.01 3 Place Decimal ± 0.002		NTS	B
Date: 31 OCT 2000		Checked: P. RICCI		TITLE:		
Drawn: R. CLYSDALE		Approved: R. CLOSS		MILLTRONICS SF500 C/W		
Location: PETERBOROUGH		SIEMENS MILLTRONICS PROCESS INSTRUMENTS INC.		1 LOADCELL FLOWMETER CUSTOMER WIRING DRAWING		
Peterborough, Ontario, Canada		DRAWING No:		Rev.		
File No. 2365017901		23650179		1		
Plot at: 1=1		Sheet 1 Of 1				

For Public Release