

Milltronics L-300 solids flowmeter is a medium-capacity flowmeter for various product sizes, densities and fluidities. The L-300 is available in one size to handle full scale flowrates of free-flowing materials from 100 to 300 t/h (110 to 330 STPH).

Operating with a microprocessor-based integrator package, the L-300 displays flow rate, totalized flow and rate alarms. Outputs are 0/4–20mA proportional to rate, and contact closure for remote totalization.

Dry bulk solids enter the flow guide producing a mechanical deflection as they strike the flowmeter sensing plate before continuing through the process unhindered. The load cells convert the horizontal deflection into an electrical signal. The integrator processes this into a display of flow rate and integrated total weight. The process is immune to the effect of product build-up as only the horizontal force is measured.



Product Features

- Unique parallelogram suspension
- High accuracy
- Totally enclosed
- No zero shift
- Low maintenance

Technical Specifications

Particle Size

- fine powders to 25 mm (1") maximum

Material temperature range

- -40 to 85 °C (-40 to 185 °F)

Ambient temperature range

- -10 to 65 °C (14 to 150 °F)

Accuracy

- ±1 %, 33 to 100 % of maximum admissible flow rate
- higher accuracy obtainable by use of linearizer

Repeatability

- ± 0.2 %

Capacity range

- 100 t/h (110 STPH) to 300 t/h (0 to 330 STPH)

Construction

- painted mild steel with 304 stainless steel sensing plate
- special linings for flowguide and sensing plate (optional)

Load cell

- construction: stainless steel parallelogram
- excitation: 10 V DC nominal, 15 V DC maximum
- output: 2 mV / V excitation at rated load cell capacity
- non-linearity: 0.02 % of rated output
- hysteresis: 0.02 % of rated output
- non-repeatability: 0.01 % of rated output
- capacity: 50 lbs.
- overload: safe 150 % of rated capacity, ultimate 300 % of rated capacity
- temperature:
 - -40 to 85 °C (-40 to 185 °F) operating range
 - -18 to 65 °C (0 to 150 °F) compensated

Integrators

- Milltronics SF 500

Approvals

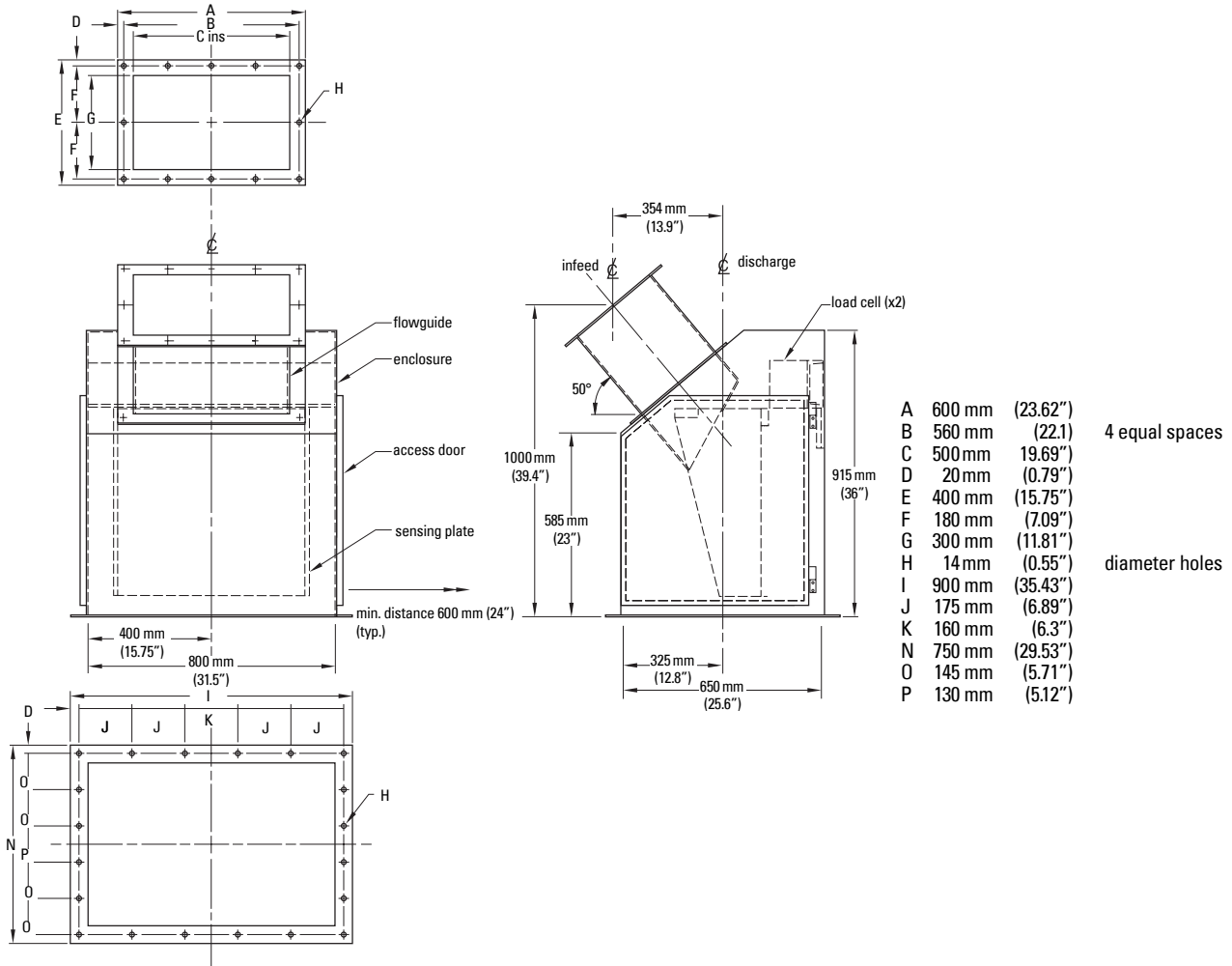
- CE*

* EMC performance available upon request.

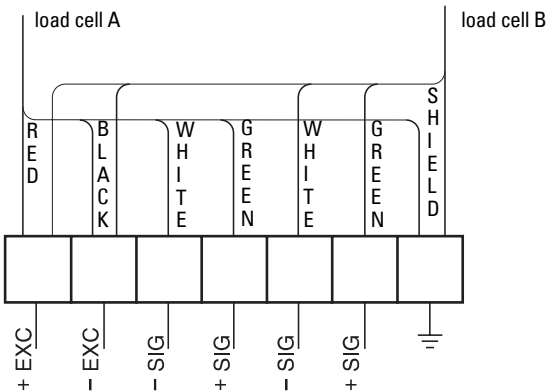
Specifications are subject to change without notice.

Milltronics L-300

Dimensions



Wiring



Notes

When installing the L-300 in a hazardous area, suitably intrinsically safe barrier strips are required.