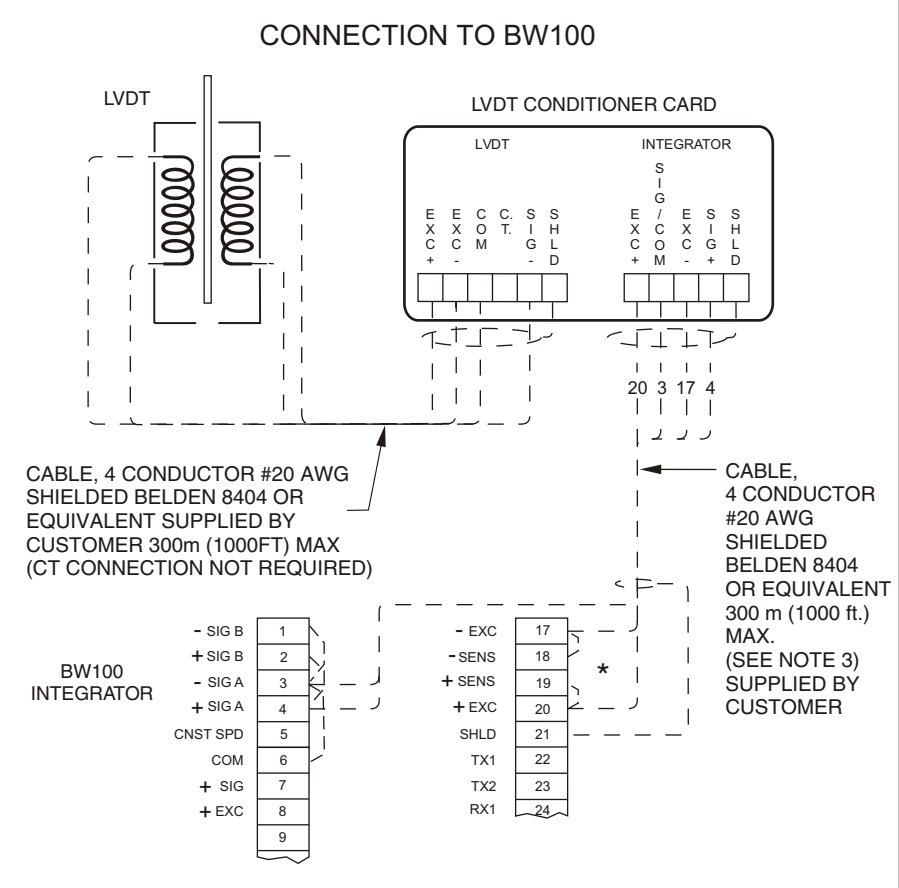
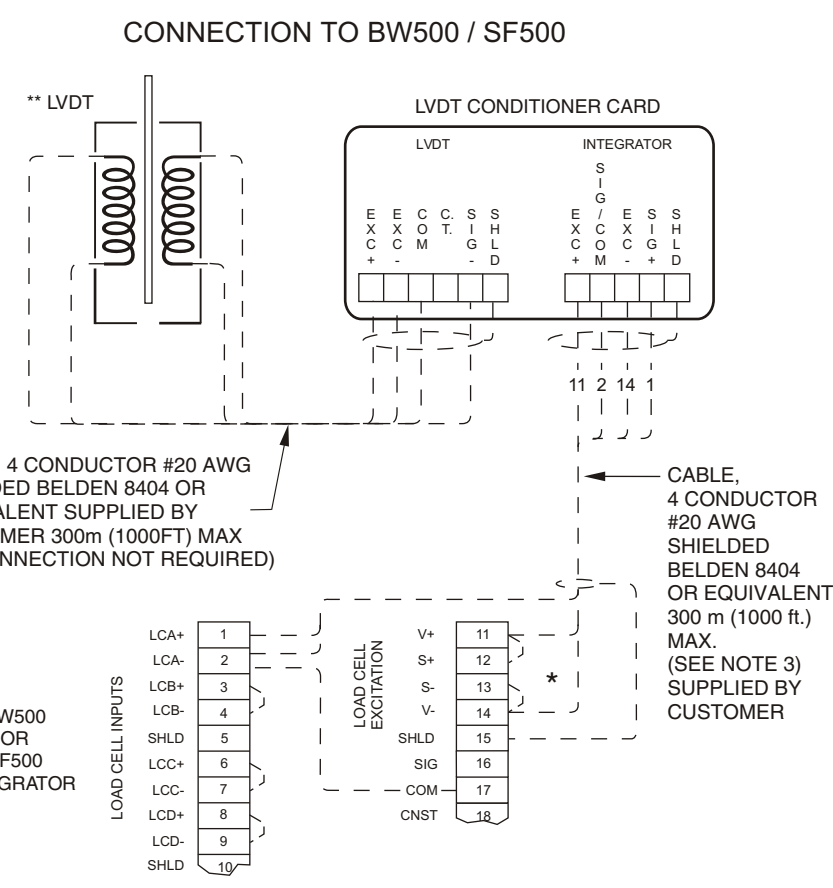


! SEE INSTRUCTION MANUAL FOR PROPER OPERATION



NOTES

- 1) ALL DIMENSIONS ARE IN mm () DENOTES DIMENSION IN INCHES.
- 2) - - - DENOTES WIRING BY CUSTOMER
- 3) * WHERE SEPARATION BETWEEN THE INTEGRATOR AND LVDT CONDITIONER EXCEEDS 150m (500ft) USE 6 CONDUCTOR 20 AWG, SHIELDED BELDEN 9260 OR EQUIVALENT:
 - REMOVE THE JUMPERS ON THE BW500/ SF500 TERMINALS 11/12 AND 13/14, OR 17/18 AND 19/20 ON THE BW100
 - RUN ADDITIONAL CONDUCTORS FROM: BW500/ SF500 TERMINAL 12, OR BW100 TERMINAL 19, TO THE CONDITIONER TERMINAL BLOCK MARKED ' INTEGRATOR +EXC '
 - BW500/ SF500 TERMINAL 13, OR BW100 TERMINAL 18, TO THE CONDITIONER TERMINAL BLOCK MARKED ' INTEGRATOR - EXC '
- 4) SHIELDS ARE COMMON, BUT NOT GROUNDED TO CHASSIS. RUN CABLE SHIELDS THROUGH SHLD TERMINALS AND GROUND AT INTEGRATOR ONLY.
- 5) FOR CONDUIT CONNECTIONS, THE USE OF A HOLE PUNCH AND SUITABLE CABLE GLANDS TO MAINTAIN INGRESS PROTECTION IS RECOMMENDED. REMOVE THE LVDT CONDITIONER CARD BEFORE MAKING HOLES.
- 6) FOR FURTHER INFORMATION REFER TO THE LVDT CONDITIONER CARD INSTRUCTION MANUAL OR CONTACT YOUR SIEMENS MILLTRONICS REPRESENTATIVE.

COLOUR CODING FOR SOLIDS FLOWMETER SF500

	STANDARD	EX. PROOF
EXC +	RED	RED
EXC -	BLUE	ORANGE
COM	YELLOW	WHITE
C. T.	BLACK	BLACK
SIG -	GREEN	GREEN

FOR LEFT HANDED FLOWMETERS REVERSE COM & SIG - CONNECTIONS

1	ADD MAXIMUM CABLE LENGTH PER ECN 2004-0095	RPC	PTR	APRIL 30/04
0	FOR CONSTRUCTION	RPC	PTR	SEPT 10/02
Rev.	Revision / ECN Description	Drawn	Appr.	Date
		Product Group: MASS DYNAMICS	Tolerance Unless Otherwise Noted: UOS	Scale: NTS
		Date: 10 / SEPT / 02	1 Place Decimal ± 0.03	Size: B
		Drawn: R. CLYSDALE	Angles: ± 0.5°	
		Checked: R. CLOSS	TITLE: LVDT CONDITIONER CARD CUSTOMER OUTLINE & WIRING DRAWING	
		Approved: P. RICCI		
		Location: PETERBOROUGH	DRAWING No: 23650364	
		SIEMENS MILLTRONICS PROCESS INSTRUMENTS INC. Peterborough, Ontario, Canada		
File No. 2365036401		Plot at: 1 : 1	Sheet 1 Of 1	