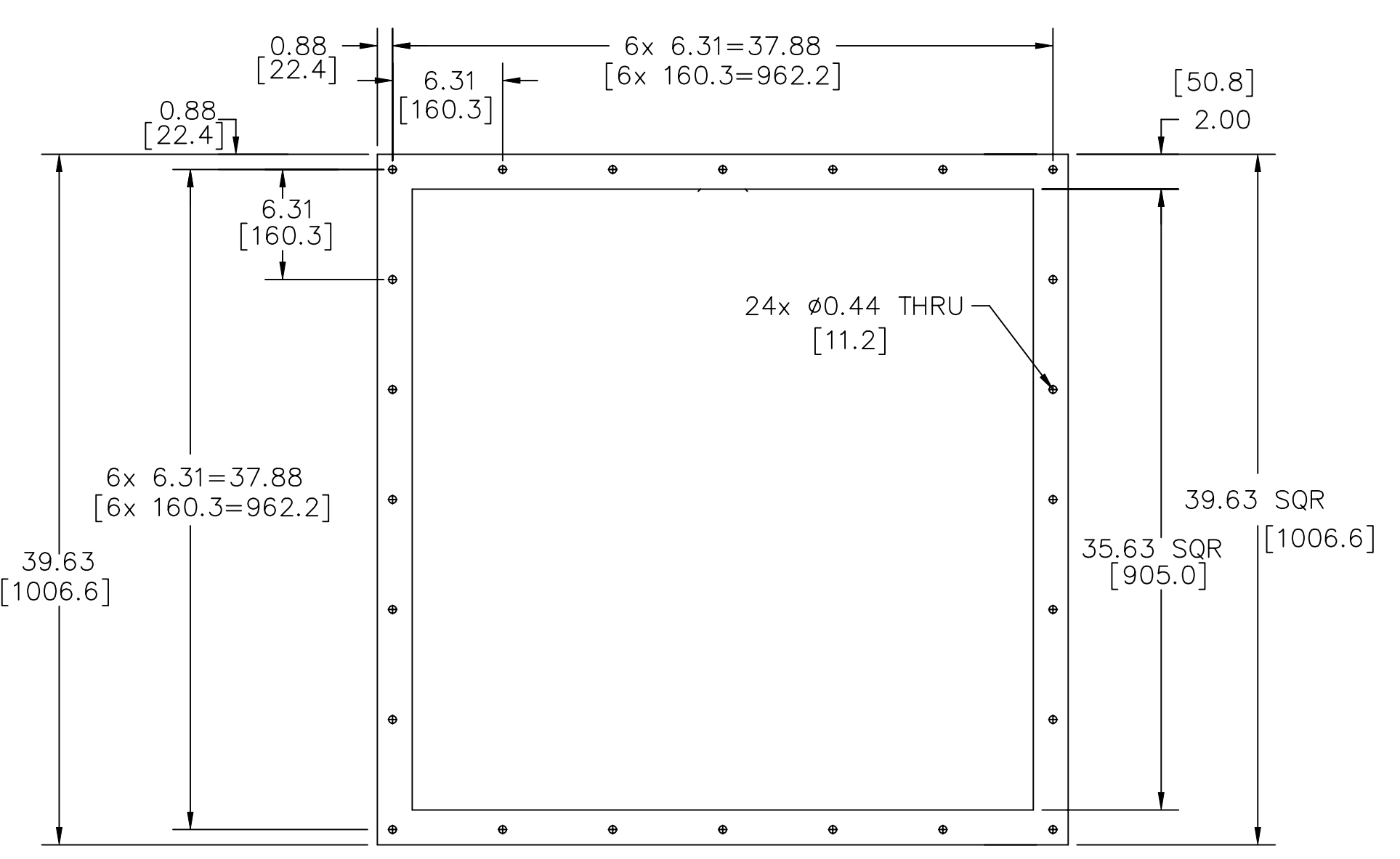
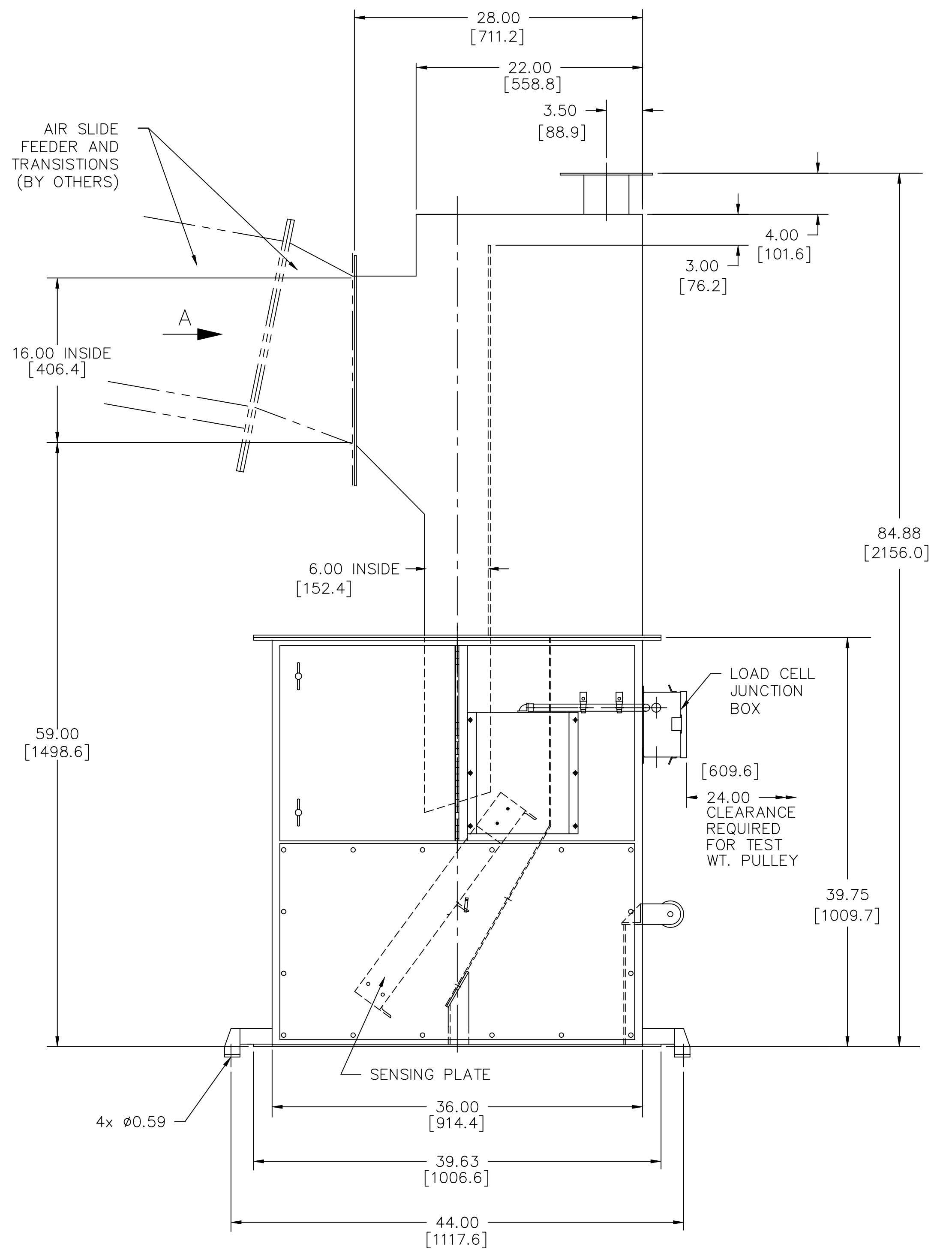
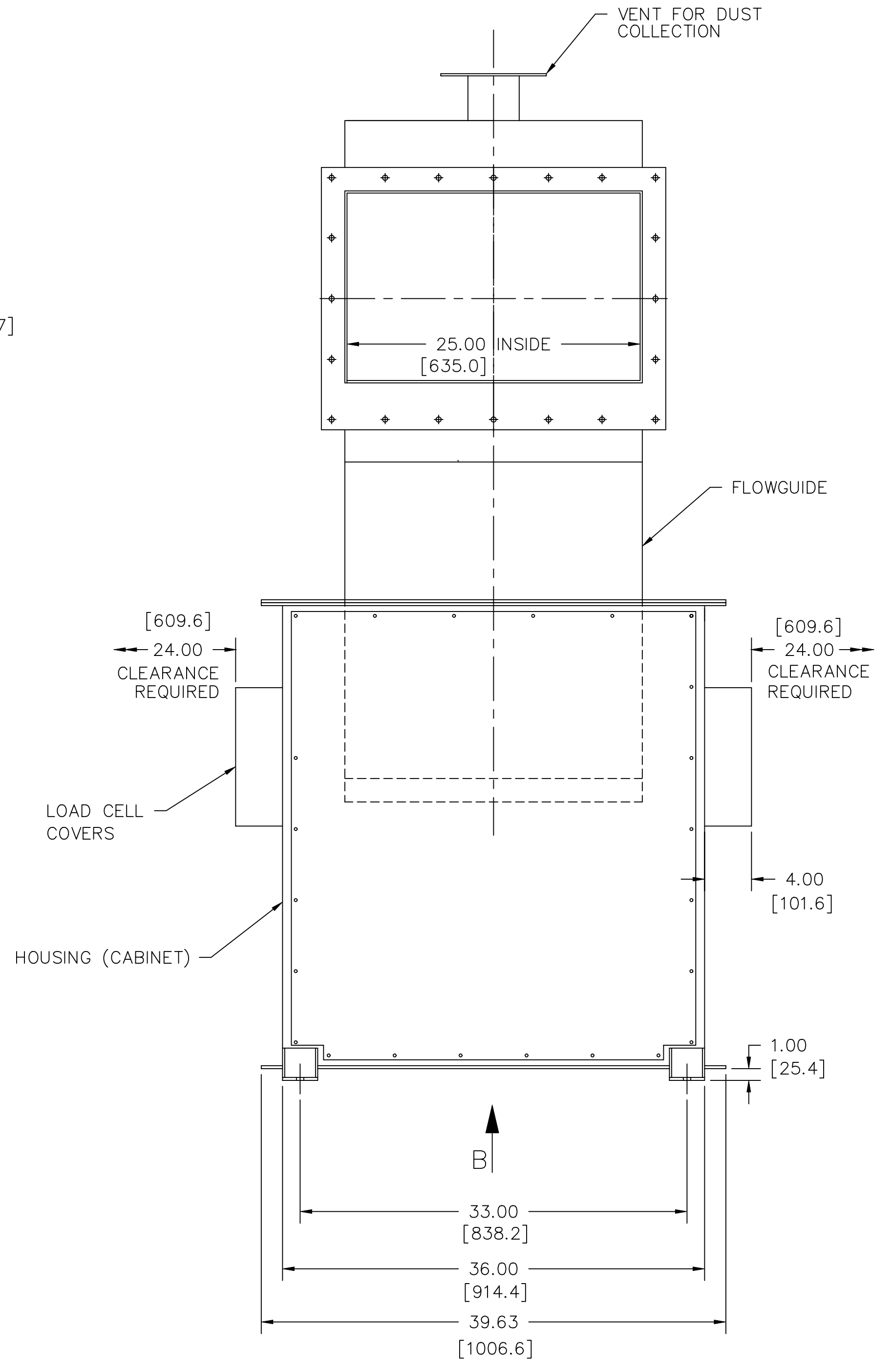


VIEW A



VIEW B



NOTES

- ALL DIMENSIONS IN INCHES [] DIMENSIONS IN MILLIMETERS
- MATERIAL: 3/16" HRS. OR AS NOTED. FLANGES: 1/4" HRS
- FLOWMETER SHOULD BE INSTALLED LEVEL.
- SEE DATA SHEET FOR MATERIAL SPECIFICATION.
- NET WEIGHT OF FLOWMETER APPROX. 1500 POUNDS.
- FOR FURTHER INFORMATION REFER TO THE MILLTRONICS MA-SERIES INSTRUCTION MANUAL OR CONTACT YOUR SIEMENS MILLTRONICS REPRESENTATIVE.

1 ADD MILLTRONICS TO PRODUCT NAME UPDATE FORMAT FOR ESD, 2003-2004		RPC	PTR	JAN 07/2004
REPLACES 1-75400632-SM-D REV 1		Rev.	Rev.	Date
Revision / EON Description		Drawn	Appr.	Date
Tolerance Unless Otherwise Noted: U.S. 1 Place Decimal ± 0.03 Angles: ± 0.5° 2 Place Decimal ± 0.01 3 Place Decimal ± 0.002		Scale:	0.125=1	Size: D
Product Group: MASS DYNAMICS		TITLE: MILLTRONICS MA-500 FLOWMETER CUSTOMER OUTLINE DIAGRAM		
Date: 30 MAY 95		DRAWING No: 23650478		
Drawn: C. CLEMENTS		Rev. 1		
Checked: S. CHONG		File No. 2365047801		
Approved: R. CLOSS		Plot at: 1=8		
Location: PETERBOROUGH		Sheet 1 of 1		
SIEMENS MILLTRONICS PROCESS INSTRUMENTS INC. Peterborough, Ontario, Canada				

For Public Release