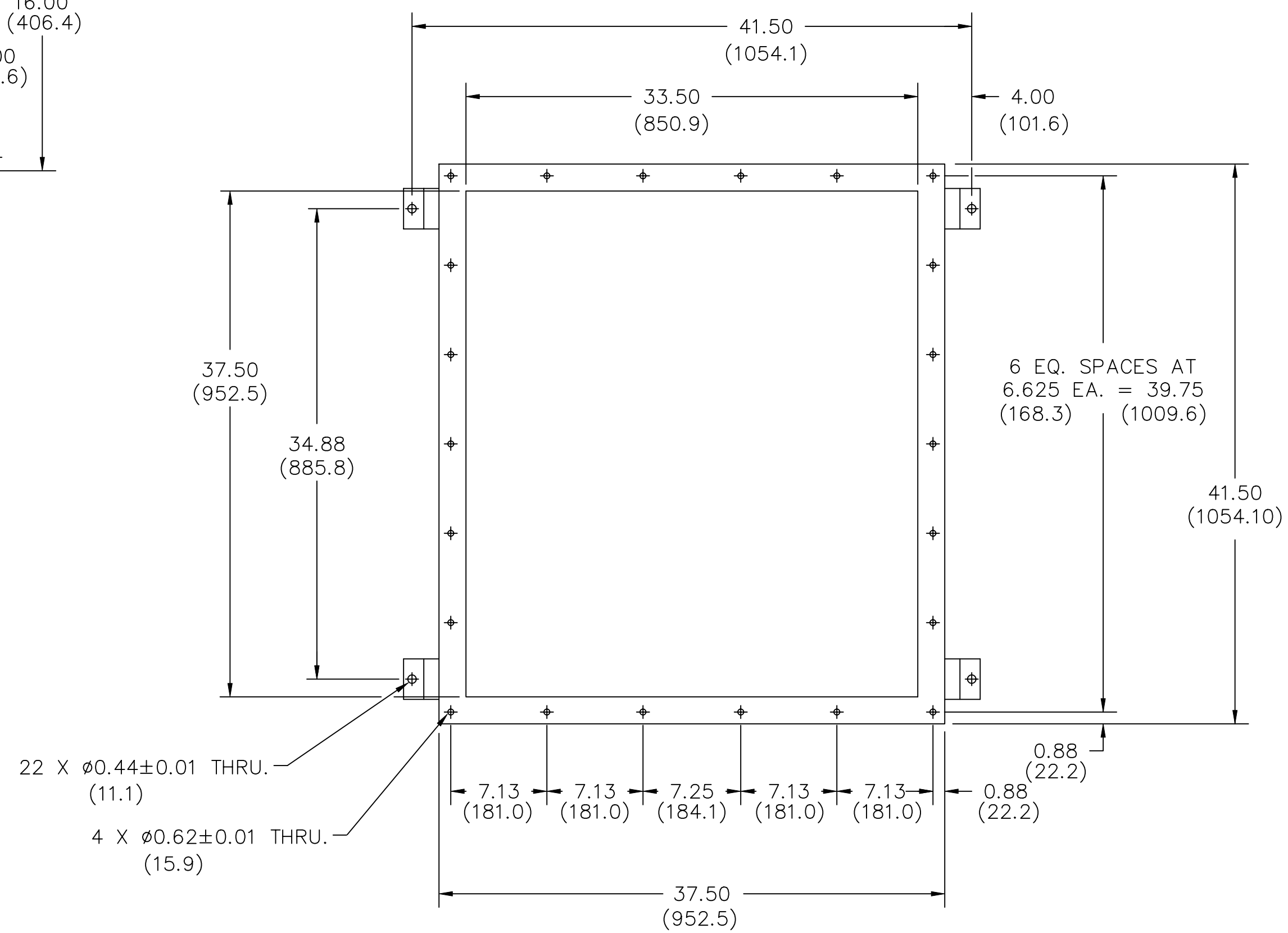
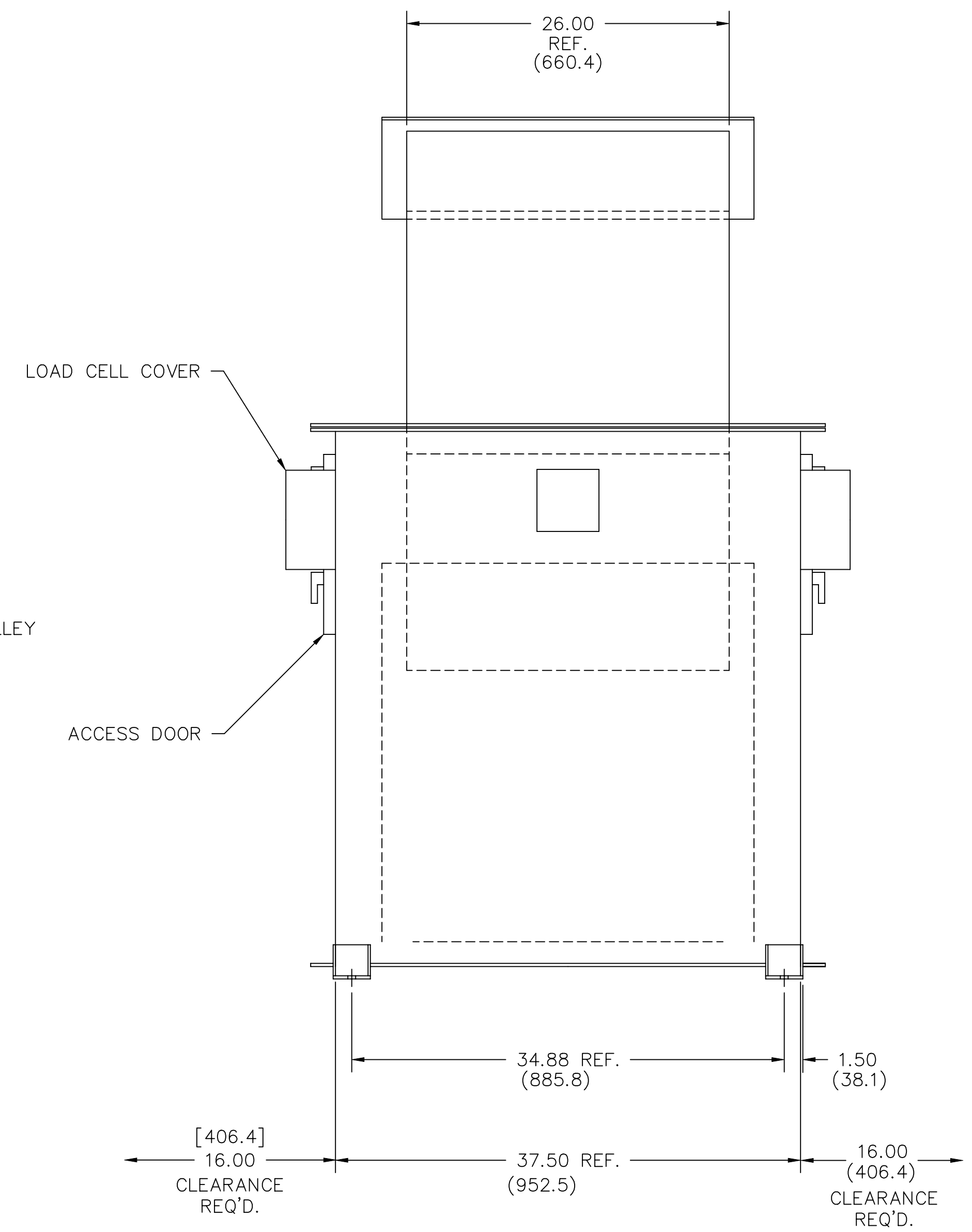
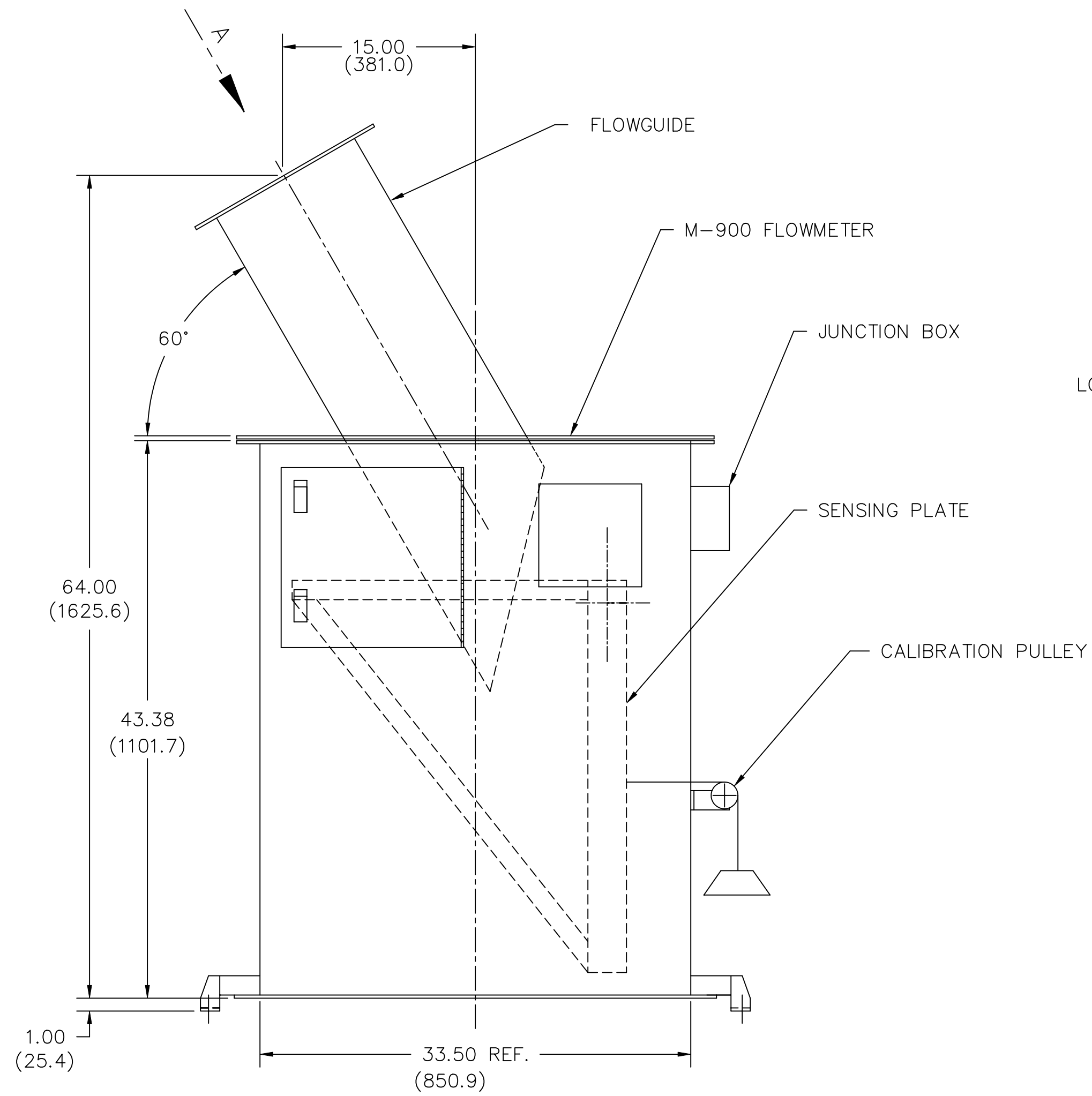
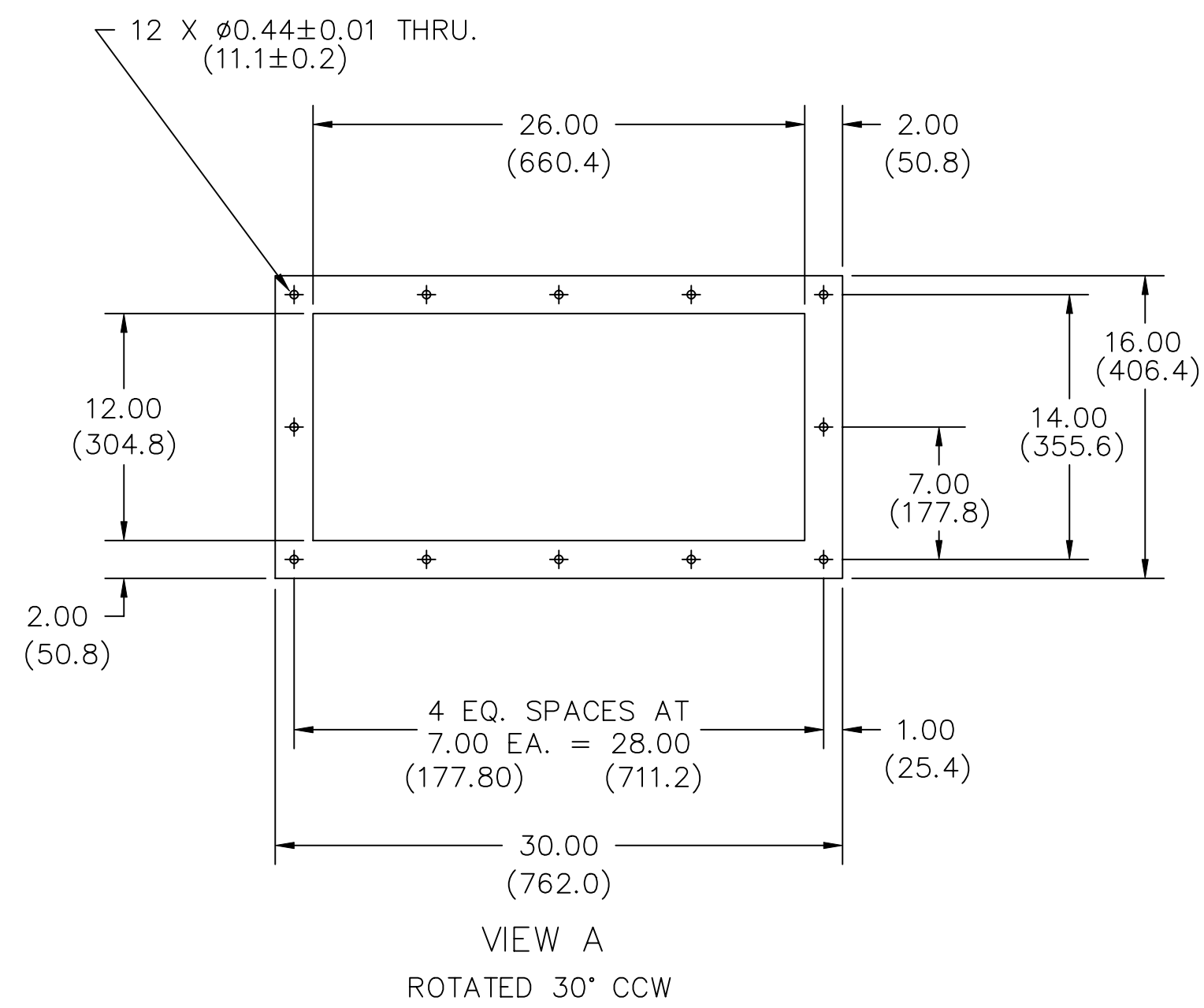


**NOTES**

1. DIMENSIONS IN INCHES, ( ) DENOTES DIMENSIONS IN MILLIMETERS.
2. MATERIAL: 0.19 THICK H.R.S., 0.25 THICK H.R.S. FOR FLANGES.
3. FINISH: PRIMED AND PAINTED.
4. FLOWMETER SHOULD BE INSTALLED LEVEL.
5. ANY MODIFICATION OR CHANGE SHOULD BE APPROVED BY SIEMENS MILLTRONICS.
6. TOLERANCES: ±0.02 UNLESS OTHERWISE SPECIFIED.
7. SEE INSTRUCTION MANUAL FOR LEVELING OR CONTACT YOUR SIEMENS MILLTRONICS REPRESENTATIVE.



USE DIMENSIONS ONLY -- DO NOT SCALE		0	FOR RELEASE	RPC	RDC	MAY 07/2004
DIMENSIONS ARE IN INCHES		Rev.	Revision / ECD Description	Drawn	Appr.	Date
Third Angle Projection	Product Group	MASS DYNAMICS		Tolerance Unless Otherwise Noted:	US	Scale:
	Date:	07/MAY/2004		1 Place Decimal ± 0.03	Angles: ± 0.5°	1:8
For Public Release	Drawn:	R. CLYSDALE		2 Place Decimal ± 0.01		Size: D
	Checked:	P. RICCI		3 Place Decimal ± 0.002		
	Approved:	R. CLOSS		TITLE: MILLTRONICS M-900 FLOWMETER OUTLINE DRAWING		
	Location:	PETERBOROUGH		DRAWING No: 23650545		
	SIEMENS MILLTRONICS PROCESS INSTRUMENTS INC. Peterborough, Ontario, Canada			Rev. 0		
	File No. 2365054500	Plot at: 1=1	Sheet 1 of 1			