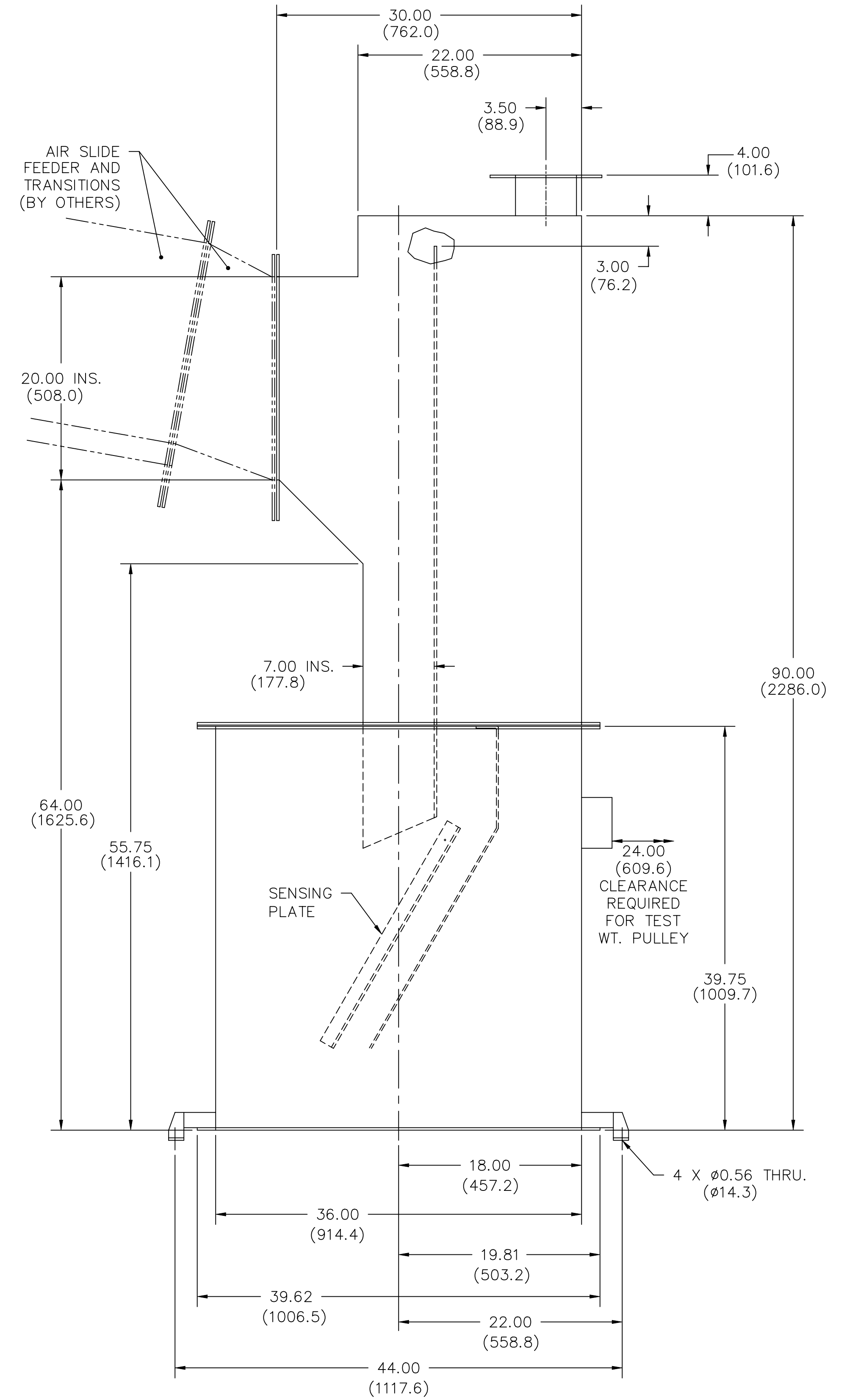
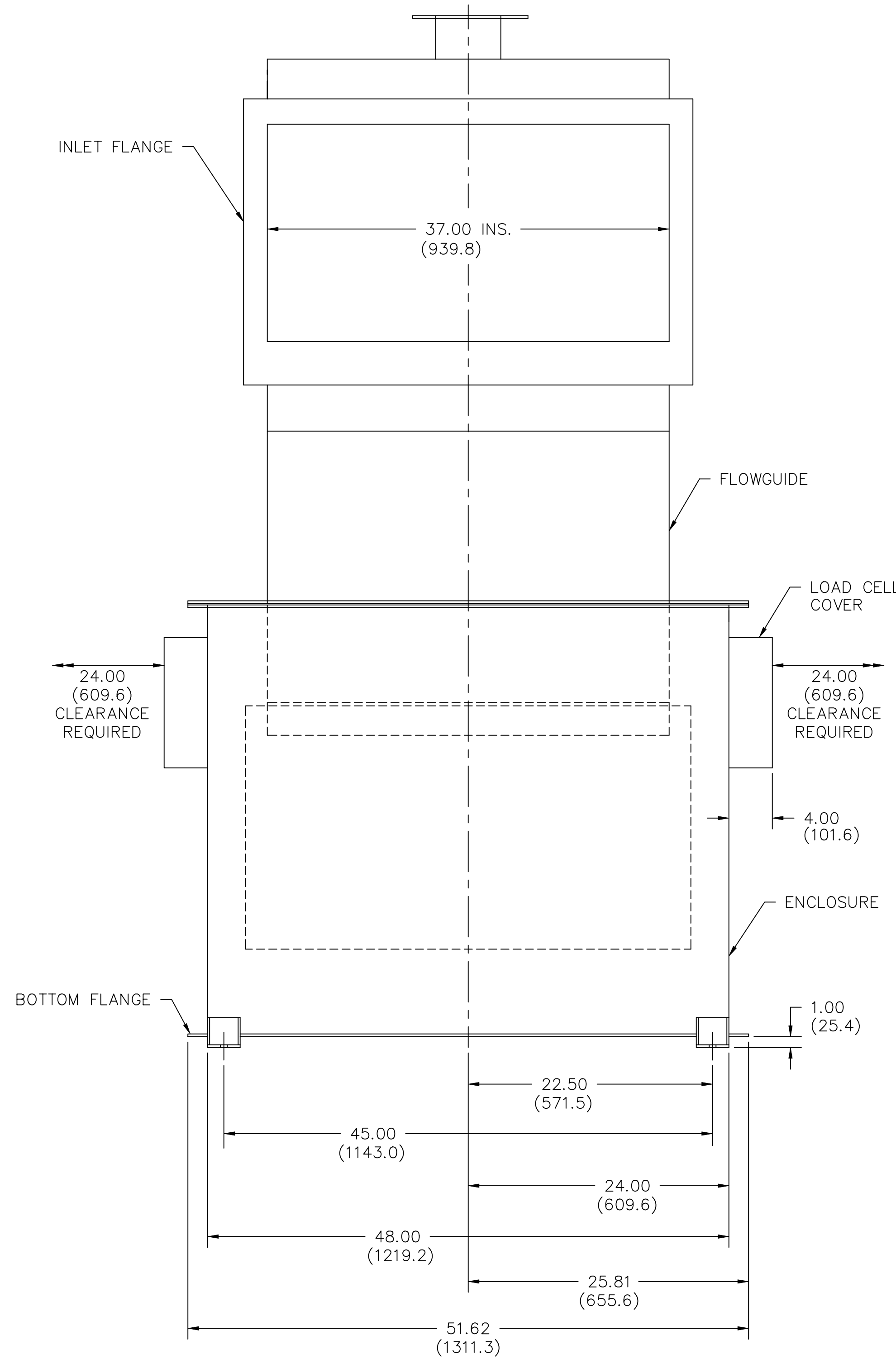
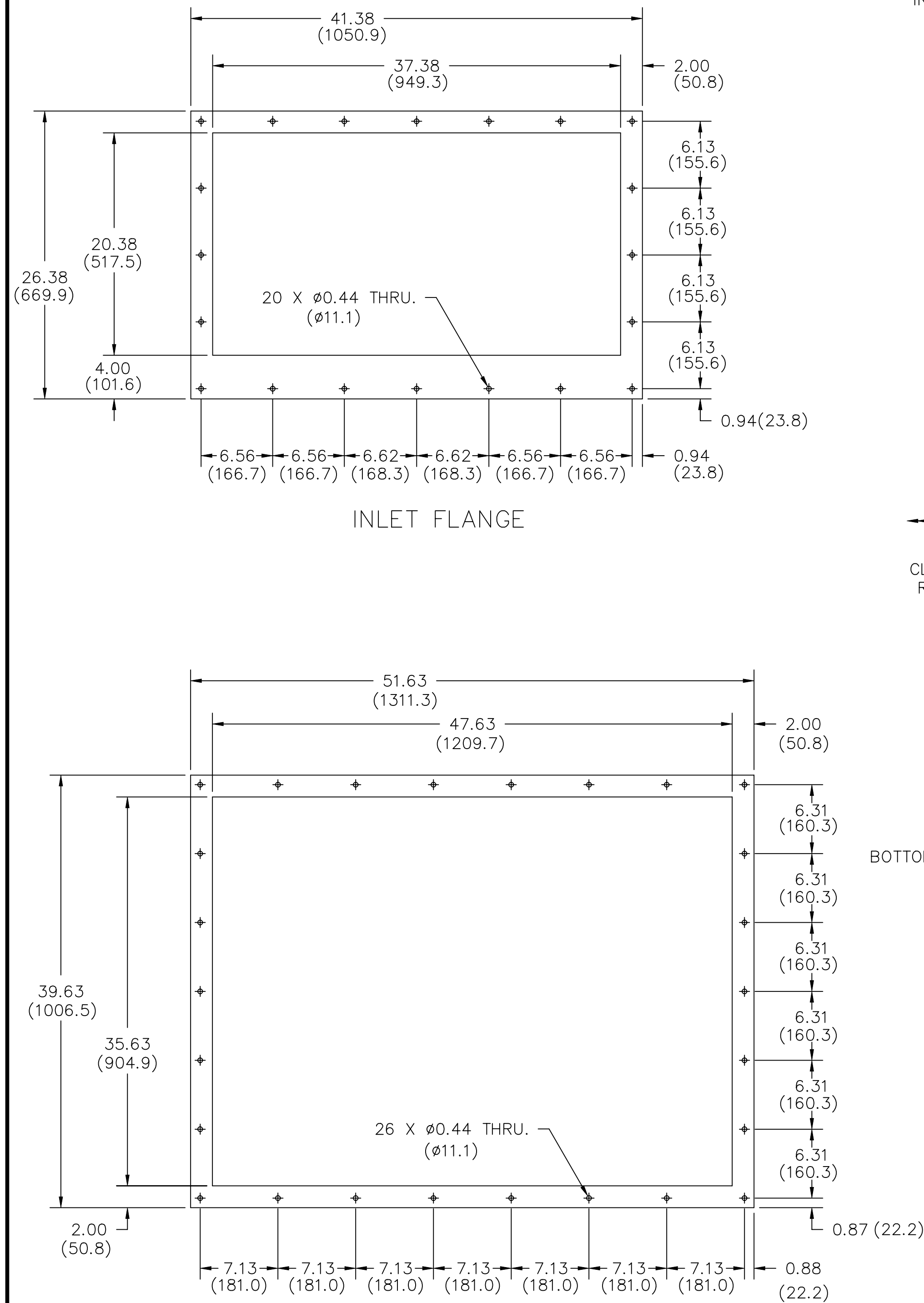
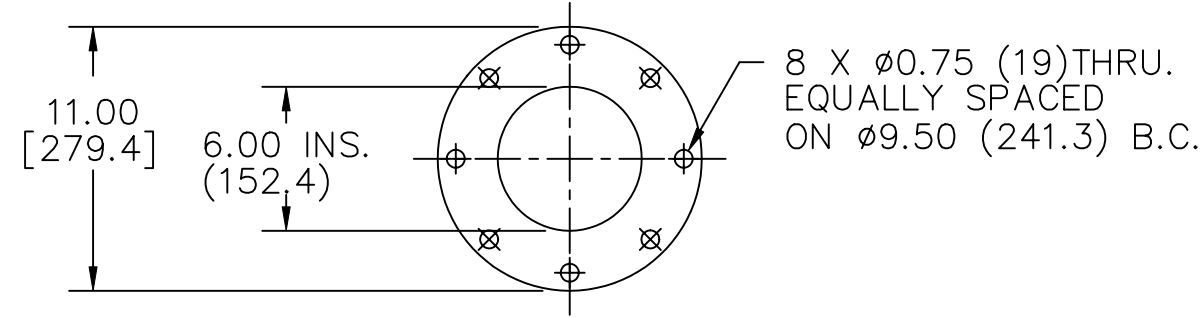


NOTES

1. DIMENSIONS IN INCHES, () DENOTES DIMENSIONS IN MILLIMETERS.
2. MATERIAL: 3/16" H.R.S., OR AS NOTED FLANGES 1/4" H.R.S. SEE DATA SHEET.
3. FINISH: PRIMED AND PAINTED.
4. FLOWMETER SHOULD BE INSTALLED LEVEL.
5. ANY MODIFICATION OR CHANGE SHOULD BE APPROVED BY SIEMENS MILLTRONICS.
6. NET WEIGHT OF FLOWMETER APPROX. 2000 POUNDS.
7. SEE INSTRUCTION MANUAL FOR LEVELING OR CONTACT YOUR SIEMENS MILLTRONICS REPRESENTATIVE.



USE DIMENSIONS ONLY - DO NOT SCALE		0	FOR RELEASE	RPC	RDC	MAY 07/2004
DIMENSIONS ARE IN INCHES		Rev.	Revision / EON Description	Drawn	Appr.	Date
Third Angle Projection	Product Group	MASS DYNAMICS		Tolerance Unless Otherwise Noted:	US	Scale:
	Date:	07/MAY/2004		1 Place Decimal ± 0.03	Angles:	1:8
	Drawn:	R. CLYSDALE		2 Place Decimal ± 0.01		
	Checked:	P. RICCI		3 Place Decimal ± 0.002		
	Approved:	R. CLOSS		TITLE:		
	Location:	PETERBOROUGH		MILLTRONICS MA-900 FLOWMETER		
	SIEMENS MILLTRONICS	PROCESS INSTRUMENTS INC.		DRAWING No:		23650546
	Peterborough, Ontario, Canada			Rev.		0
For Public Release	File No.	2365054600		Plot at:	1=1	Sheet 1 of 1