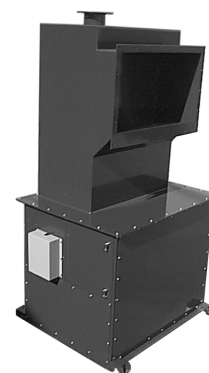


Milltronics MA Series solids flowmeters are high-capacity flowmeters for various product sizes, densities and fluidities being conveyed by aerated gravity conveyors.

The totally enclosed flowmeter provides sealing that prevents dust emission. The unique parallelogram force sensing mechanism provides high accuracy weighing despite changes in material depth, or side-to-side variations in flow. A built-in air bypass system allows for easier balancing of pressure between the inlet and discharge of the solids flowmeter.

The product to be metered flows by gravity into the flowguide of the flowmeter and is directed to impact upon the sensing plate, after which it falls by gravity to exit the solids flowmeter sensing plate housing. The dual load cells convert the horizontal component of the impact force to mVdc signals, which are proportional to impact force. The signals from the load cells are integrated over time by the associated electronics in order to provide flowrate indication and totalization of product.



Product Features

- Designed for high capacity aerated gravity conveyor pre-feed
- Unique parallelogram force sensing mechanism
- Strain gauge load cell force conversion
- Dust-tight enclosure
- Load cells external to process
- Process temperature to 150 °C (300 °F)
- Replaceable sensing plate surface

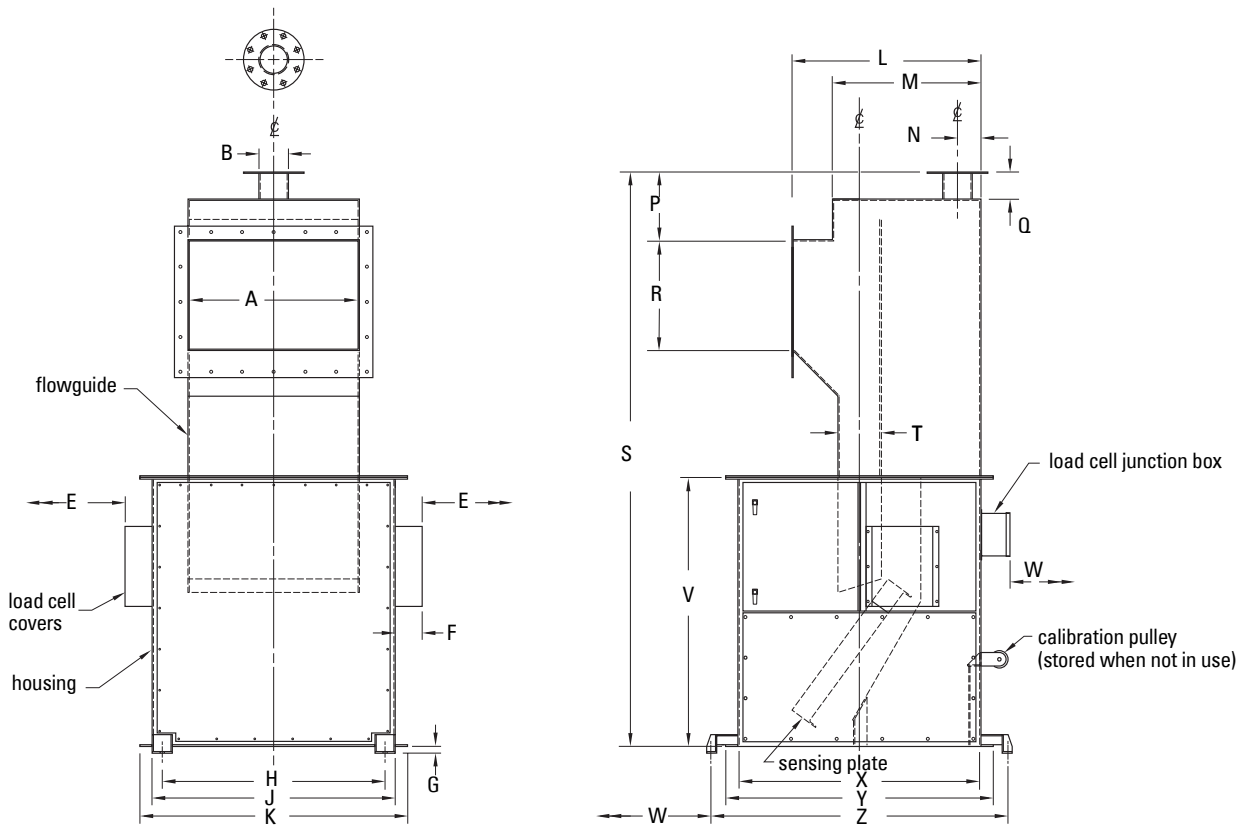
Technical Specifications

Specifications	MA-500	MA-900
Maximum flow range	0-500 t/h (0-550 STPH)	0-900 t/h (0-990 STPH)
Minimum flow range	0-200 t/h (0-220 STPH)	0-400 t/h (0-440 STPH)
Maximum particle size	3 mm (0.1")	3 mm (0.1")
Maximum product temperature	150 °C (300 °F)	150 °C (300 °F)
Construction	Painted mild steel with stainless steel sensing plate (sensing plate wear liners are optional)	
Repeatability	± 0.2 %	± 0.2 %
Accuracy	± 1 % of full scale	± 1 % of full scale
Application	Aerated gravity conveyors, only	Aerated gravity conveyors, only
Load Cells		
• Construction	Stainless Steel parallelogram	Stainless Steel parallelogram
• Excitation	10 V DC	10 V DC
• Output	2 mV/V nominal	2 mV/V nominal
• Operating range	-40 to 65 °C (-40 to 150 °F)	-40 to 65 °C (-40 to 150 °F)
Integrator	Milltronics SF 500	Milltronics SF 500
Hazardous	with use of suitable intrinsically safe barriers	with use of suitable intrinsically safe barriers
Approvals	CE	CE

Specifications are subject to change without notice.

Milltronics MA Series

Dimensions



Dimension	MA-500	MA-900
A	635 mm (25")	940 mm (37")
B	102 mm (4") inside	152 mm (6") inside
E	610 mm (24") clearance required	610 mm (24") clearance required
F	102 mm (4")	102 mm (4")
G	25 mm (1")	25 mm (1")
H	838 mm (33")	1143 mm (45")
J	914 mm (36")	1219 mm (48")
K	1007 mm (39.63")	1311 mm (51.62")
L	711 mm (28")	762 mm (30")
M	559 mm (22")	559 mm (22")
N	89 mm (3.5")	89 mm (3.5")
P	149 mm (5.88")	152 mm (6")
Q	102 mm (4")	102 mm (4")
R	406 mm (16") inside	508 mm (20") inside
S	2156 mm (84.88")	2388 mm (94")
T	152 mm (6") inside	178 mm (7") inside
V	1010 mm (39.75")	1010 mm (39.75")
W	610 mm (24") clearance	610 mm (24") clearance
X	914 mm (36")	914 mm (36")
Y	1007 mm (39.63")	1007 mm (39.63")
Z	1118 mm (44")	1118 mm (44")

SOLIDS FLOWMETERS