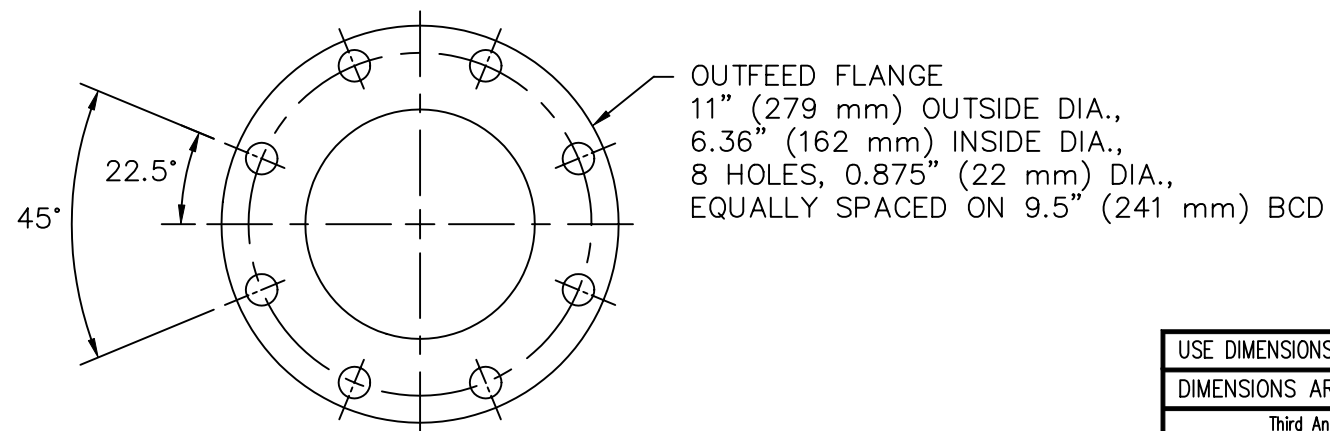
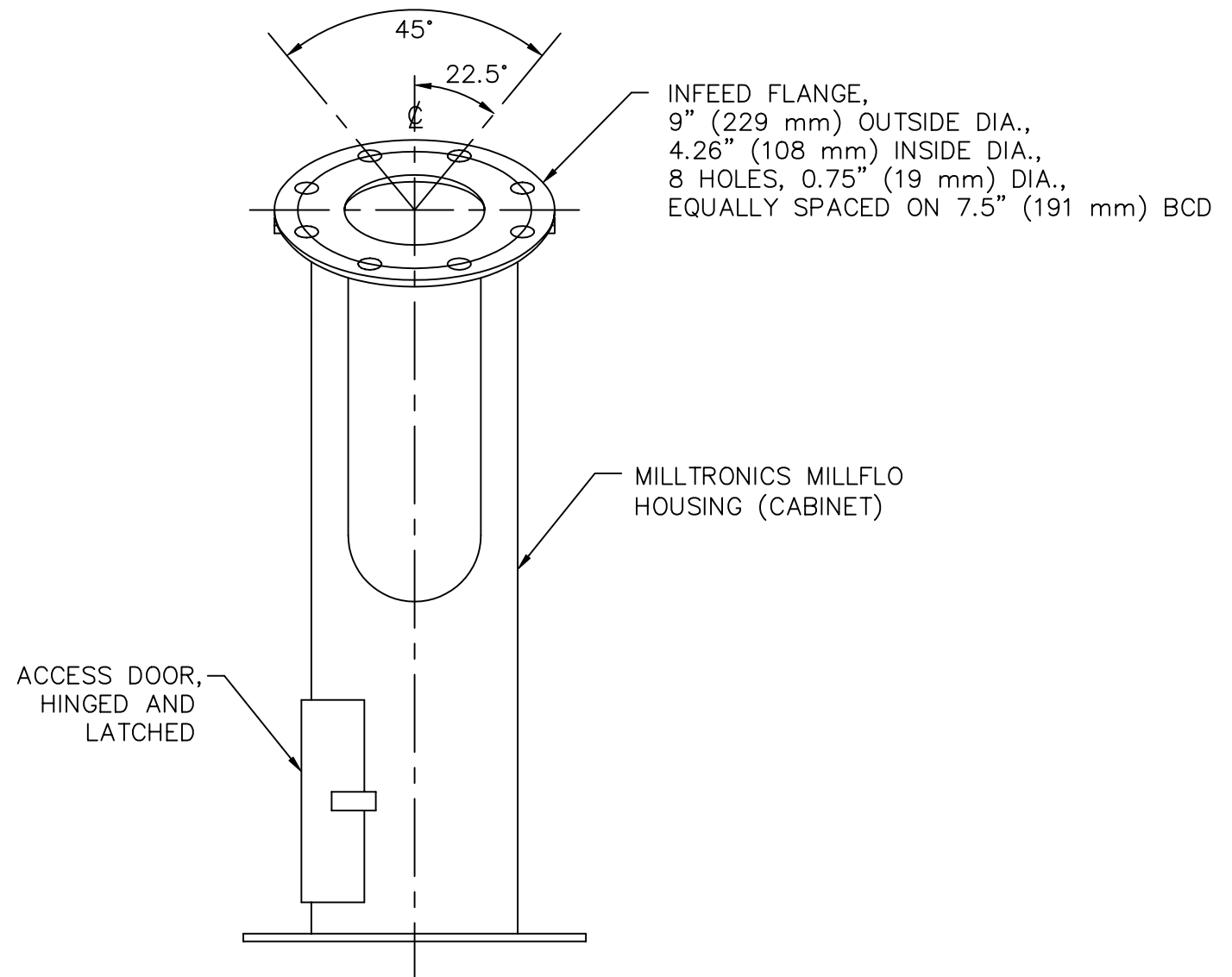
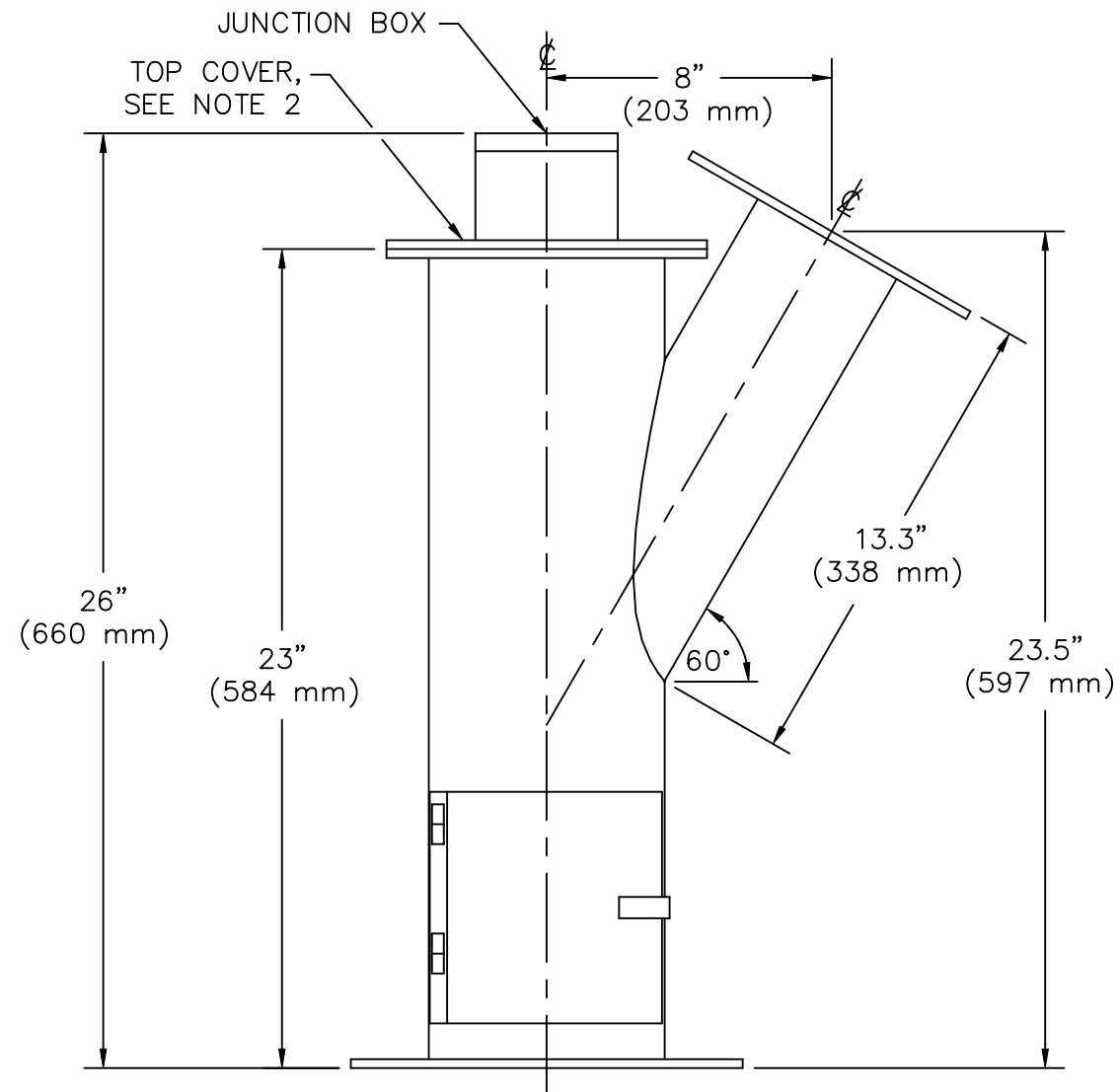


A I B I C I D I E I F I G I H I I I J I



NOTE

- 1) THE FLOWMETER MUST BE INSTALLED TO WITHIN $\pm 1^\circ$.
- 2) FOR SENSING PLATE REMOVAL, CLEARANCE OF 16.25" (413 mm) ABOVE THE TOP COVER IS REQUIRED.
- 3) FOR FURTHER INFORMATION PLEASE REFER TO THE MILLTRONICS MILLFLO INSTRUCTION MANUAL.

| | | | | | |
|------------------------------------|---------------|---|----------------------------|--|----------------------|
| 1 | | ADD MILLTRONICS TO PRODUCT NAME/UPDATE BORDER PER ECN 2003-0289 | RPC | PTR | DEC 19/03 |
| USE DIMENSIONS ONLY - DO NOT SCALE | | REPLACES 1-7500057Z-SM-B | REV | 0 | |
| DIMENSIONS ARE IN INCHES | | Rev. | Revision / ECN Description | Drawn | Appr. |
| Third Angle Projection | Product Group | MASS DYNAMICS | | Tolerance Unless Otherwise Noted: UOS | Scale: |
| | Date: | 3 APRIL 92 | | 1 Place Decimal ± 0.03 | 0.188=1 |
| FOR INTERNAL USE ONLY | Drawn: | R. VASS | | Angles: $\pm 0.5^\circ$ | Size: B |
| | Checked: | | | TITLE: MILLTRONICS MILLFLO 4" (102 mm), 60°, CUSTOMER OUTLINE DIAGRAM | DRAWING No: 23650487 |
| | Approved: | | | | |
| | Location: | PETERBOROUGH | | SIEMENS MILLTRONICS PROCESS INSTRUMENTS INC. Peterborough, Ontario, Canada | |
| | File No. | 2365048701 | | Plot at: 3=16 | Sheet 1 of 1 |