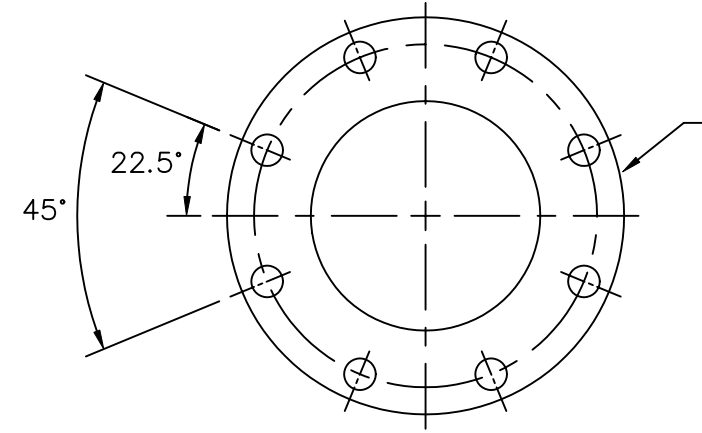


INFEED FLANGE,
 220 mm (8.7") OUTSIDE DIAMETER
 105 mm (4.1") INSIDE DIAMETER
 8 HOLES, 18 mm (0.7") DIAMETER
 EQUALLY SPACED ON 180 mm (7.1") BCD

NOTE

- 1) THE FLOWMETER MUST BE INSTALLED TO WITHIN ± 1 .
- 2) FOR SENSING PLATE REMOVAL, CLEARANCE OF 413 mm (16.25") ABOVE THE TOP COVER IS REQUIRED.
- 3) FOR FURTHER INFORMATION REFER TO THE MILLTRONICS MILLFLO INSTRUCTION MANUAL OR CONTACT YOUR SIEMENS MILLTRONICS REPRESENTATIVE.



OUTFEED FLANGE
 285 mm (11.2") OUTSIDE DIAMETER
 155 mm (6.1") INSIDE DIAMETER
 8 HOLES, 23 mm (0.9") DIAMETER
 EQUALLY SPACED ON 240 mm (9.4") BCD

USE DIMENSIONS ONLY - DO NOT SCALE		0	FOR RELEASE	RPC	RDC	MAR 12/04
DIMENSIONS ARE IN MILLIMETERS		Rev.	Revision / ECN Description	Drawn	Appr.	Date
Third Angle Projection 	Product Group	MASS DYNAMICS		Tolerance Unless Otherwise Noted: UOS		Scale:
	Date:	12 MAR 2004		1 Place Decimal ± 0.8 Angles: $\pm 0.5^\circ$		0.188=1
For Public Release	Drawn:	R.CLYSDALE		TITLE:		
	Checked:	P. RICCI		100 mm (4") MILLTRONICS MILLFLO		
	Approved:	R. CLOSS		60°, C/W DIN FLANGE		
	Location:	PETERBOROUGH		CUSTOMER OUTLINE DRAWING		
	SIEMENS MILLTRONICS PROCESS INSTRUMENTS INC. Peterborough, Ontario, Canada	DRAWING No:		23650455		Rev.
File No.	2365045500		Plot at:	3=16		Sheet 1 of 1