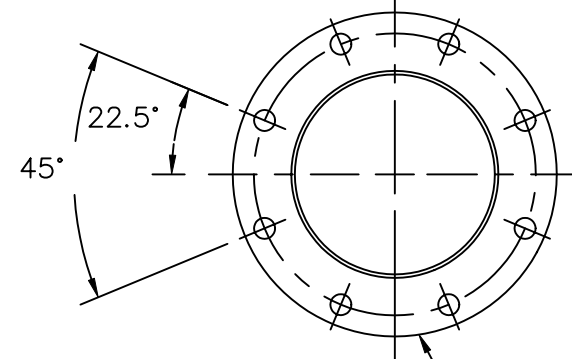


NOTE

- 1). THE FLOWMETER MUST BE INSTALLED TO WITHIN $\pm 1^\circ$.
- 2). FOR SENSING PLATE REMOVAL, CLEARANCE OF 660 mm (26") ABOVE THE TOP COVER IS REQUIRED.
- 3). FOR FURTHER INFORMATION PLEASE REFER TO THE MILLTRONICS MILLFLO INSTRUCTION MANUAL, OR CONTACT YOUR SIEMENS MILLTRONICS REPRESENTATIVE.



OUTFEED FLANGE,
340 mm (13.4") OUTSIDE DIAMETER
206 mm (8.1") INSIDE DIAMETER
8 HOLES, 23 mm (0.9") DIAMETER
EQUALLY SPACED ON 295 mm (11.6") BCD

USE DIMENSIONS ONLY - DO NOT SCALE		0	FOR RELEASE	RPC	RDC	MAR 12/04
DIMENSIONS ARE IN MILLIMETERS		Rev.	Revision / ECN Description	Drawn	Appr.	Date
Third Angle Projection 	Product Group	MASS DYNAMICS		Tolerance Unless Otherwise Noted: UOS		Scale:
	Date:	12 MAR 2004		1 Place Decimal ± 0.8 Angles: $\pm 0.5^\circ$		0.125=1
For Public Release	Drawn:	R. CLYSDALE		TITLE:		
	Checked:	P. RICCI		150 mm (6") MILLTRONICS MILLFLO,		
	Approved:	R. CLOSS		60°, C/W DIN FLANGE		
	Location:	PETERBOROUGH		CUSTOMER OUTLINE DRAWING		
	SIEMENS MILLTRONICS PROCESS INSTRUMENTS INC. Peterborough, Ontario, Canada	DRAWING No:		23650456		Rev.
File No.	2365045600		Plot at:	1=8		Sheet 1 Of 1