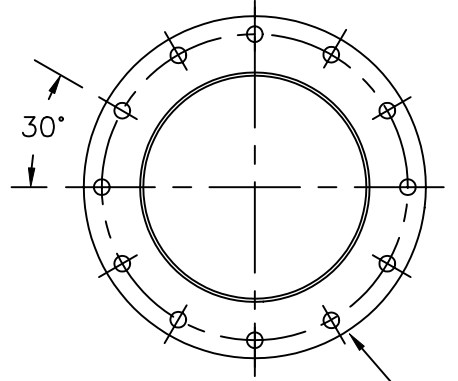


INFEED FLANGE
 340 mm (13.4") OUTSIDE DIAMETER
 206 mm (8.1") INSIDE DIAMETER
 8 HOLES, 23 mm (0.9") DIAMETER
 EQUALLY SPACED ON 295 mm (11.6") BCD

- NOTE**
- 1). THE FLOWMETER MUST BE INSTALLED TO WITHIN $\pm 1^\circ$.
 - 2). FOR SENSING PLATE REMOVAL, CLEARANCE OF 711 mm (28") ABOVE THE TOP COVER IS REQUIRED.
 - 3). FOR FURTHER INFORMATION PLEASE REFER TO THE MILLTRONICS MILLFLO INSTRUCTION MANUAL OR CONTACT YOUR SIEMENS MILLTRONICS REPRESENTATIVE.



OUTFEED FLANGE
 445 mm (17.5") OUTSIDE DIAMETER
 305 mm (12") INSIDE DIAMETER
 12 HOLES, 23 mm (0.9") DIAMETER
 EQUALLY SPACED ON 400 mm (15.7") (BCD)

USE DIMENSIONS ONLY - DO NOT SCALE		0	FOR RELEASE	RPC	RDC	MAR 12/04
DIMENSIONS ARE IN MILLIMETERS		Rev.	Revision / ECN Description	Drawn	Appr.	Date
Third Angle Projection 	Product Group	MASS DYNAMICS		Tolerance Unless Otherwise Noted: UOS	Scale:	Size:
	Date:	12 MAR 2004		1 Place Decimal ± 0.8	0.093=1	B
Drawn:	R.C. LYSDALE		2 Place Decimal ± 0.3			
For Public Release	Checked:	P. RICCI		Angles: $\pm 0.5^\circ$	TITLE: 200 mm (8") MILLTRONICS MILLFLO, 60°, C/W DIN FLANGE CUSTOMER OUTLINE DRAWING	
	Approved:	R. CLOSS				
	Location:	PETERBOROUGH		DRAWING No:	23650457	Rev.
	SIEMENS MILLTRONICS PROCESS INSTRUMENTS INC. Peterborough, Ontario, Canada				0	
File No.	2365045700		Plot at:	3=32	Sheet	1 of 1