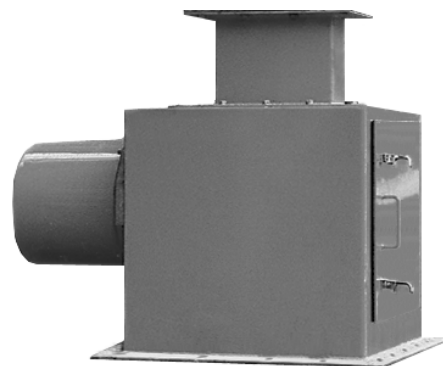


Milltronics V Series solids flowmeters are compact vertical flow, low- to medium-capacity flowmeters for various product sizes, densities and fluidities, particularly fine powders. With weighing mechanics located externally, they are unaffected by corrosive, abrasive, or hot materials. They will operate at process temperatures up to 230 °C (450 °F). They help to provide improved final product, increased operating efficiency and significant cost savings.

Operating with the appropriate ILE sensing head and a microprocessor based integrator package, the Milltronics V Series flowmeters provide a display of flow rate, totalized flow and alarms. Outputs are 0/4–20 mA proportional to rate, and contact closure for remote totalization.

Dry bulk solids enter the flow guide producing a mechanical deflection as they strike the flowmeter sensing plate before continuing through the process unhindered. The LVDT of the sensing head converts the horizontal deflection into an electrical signal. The integrator processes this into a display of flow rate and integrated total weight. The weighing process is immune to the effect of product build up as only the horizontal force is measured.



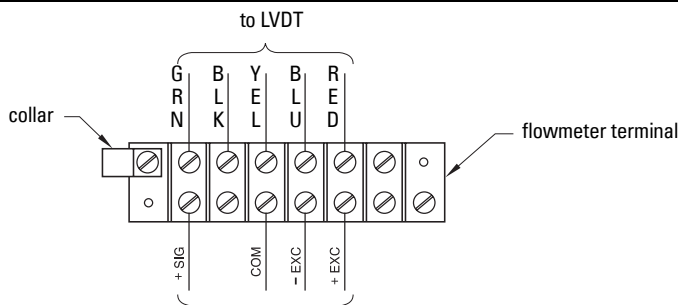
Product Features

- Minimal height required for installation
- For specialized pre-feed applications
- Sensing element mounted outside process
- Flowrates from 0.2 to 300 t/h (0.2 to 330 STPH)
- Process temperatures to 232°C (450°F)

Technical Specifications

V Series	
Application	Designed for applications requiring a compact construction
Particle Size	V-40: Fine powder up to 13 mm (0.5") V-300: Fine powder up to 25 mm (1")
Product Temperature (optional)	-40 to 232 °C (-40 to 450 °F) -40 to 400 °C (-40 to 750 °F)
Ambient Temperature	-40 to 60 °C (-40 to 140 °F)
Accuracy	±1 %, 33 to 100 % of design capacity; extended range with linearization function of integrator
Repeatability	± 0.2 %
Capacity Range	V-40 0.2 to 40 t/h (0.2 to 44 STPH) V-300 20 to 300 t/h (22 to 330 STPH) (Flowrates are based on material bulk density and flowguide size selection)
Construction	Standard: Painted mild steel enclosure and 304 (1.4306) stainless steel sensing plate Optional: special coatings for flowguide and sensing plate
Sensing heads	V-40: ILE-37 V-300: ILE-61
Integrator	Milltronics SF 500

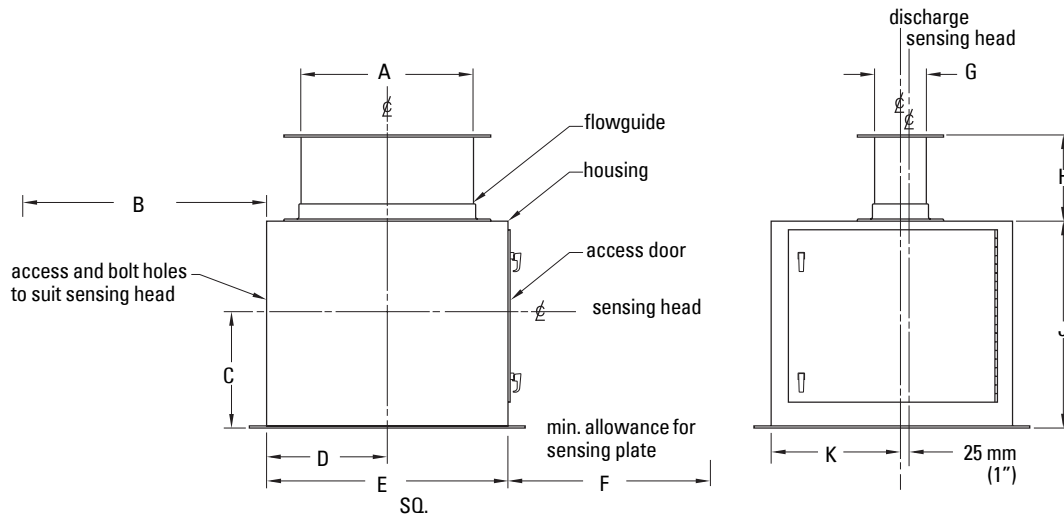
Wiring



To the LVDT conditioner card (internally or externally mounted) and Milltronics SF 500 integrator
Consult Siemens Milltronics representative for hazardous rated versions.

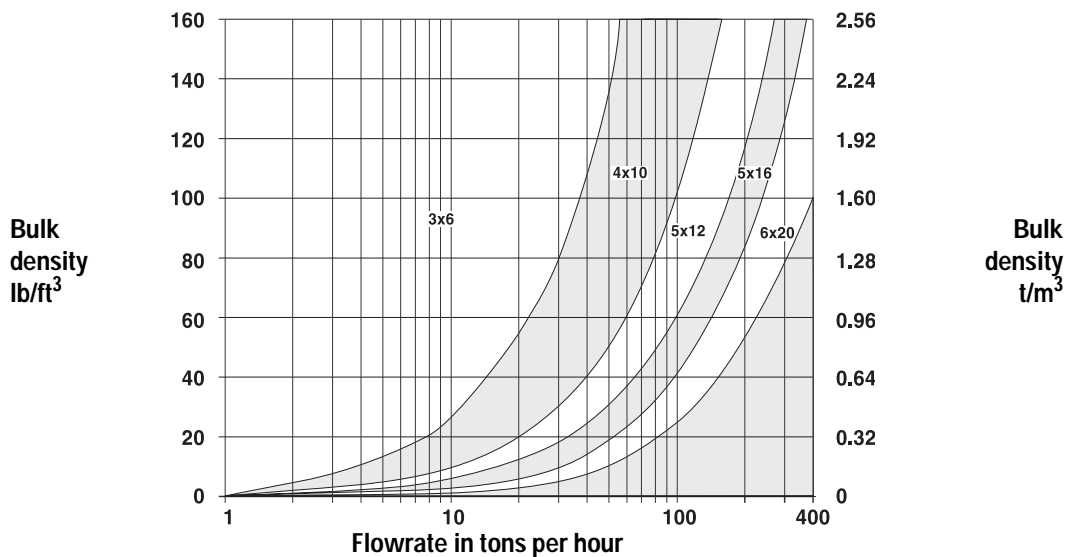
Dimensions

V Series



Size	A	B	C	D	E	F	G	H	J	K
V-40 1	152 mm (6")	686 mm (27")	304 mm (12")	254 mm (10")	508 mm (20")	457 mm (18")	76 mm (3")	203 mm (8")	508 mm (20")	254 mm (10")
V-40 2	254 mm (10")	686 mm (27")	304 mm (12")	254 mm (10")	508 mm (20")	457 mm (18")	102 mm (4")	203 mm (8")	508 mm (20")	254 mm (10")
V-40 3	305 mm (12")	686 mm (27")	304 mm (12")	254 mm (10")	508 mm (20")	457 mm (18")	127 mm (5")	203 mm (8")	508 mm (20")	254 mm (10")
V-300 1	406 mm (16")	1041 mm (41")	343 mm (13.5")	305 mm (12")	610 mm (24")	762 mm (30")	127 mm (5")	254 mm (10")	610 mm (24")	330 mm (13")
V-300 2	508 mm (20")	1041 mm (41")	343 mm (13.5")	356 mm (14")	711 mm (28")	762 mm (30")	152 mm (6")	254 mm (10")	610 mm (24")	381 mm (15")

V Series Flowguide Capacity Chart



Should the material bulk density and flowrate be near a flowguide upper limit, choose the next larger flowguide