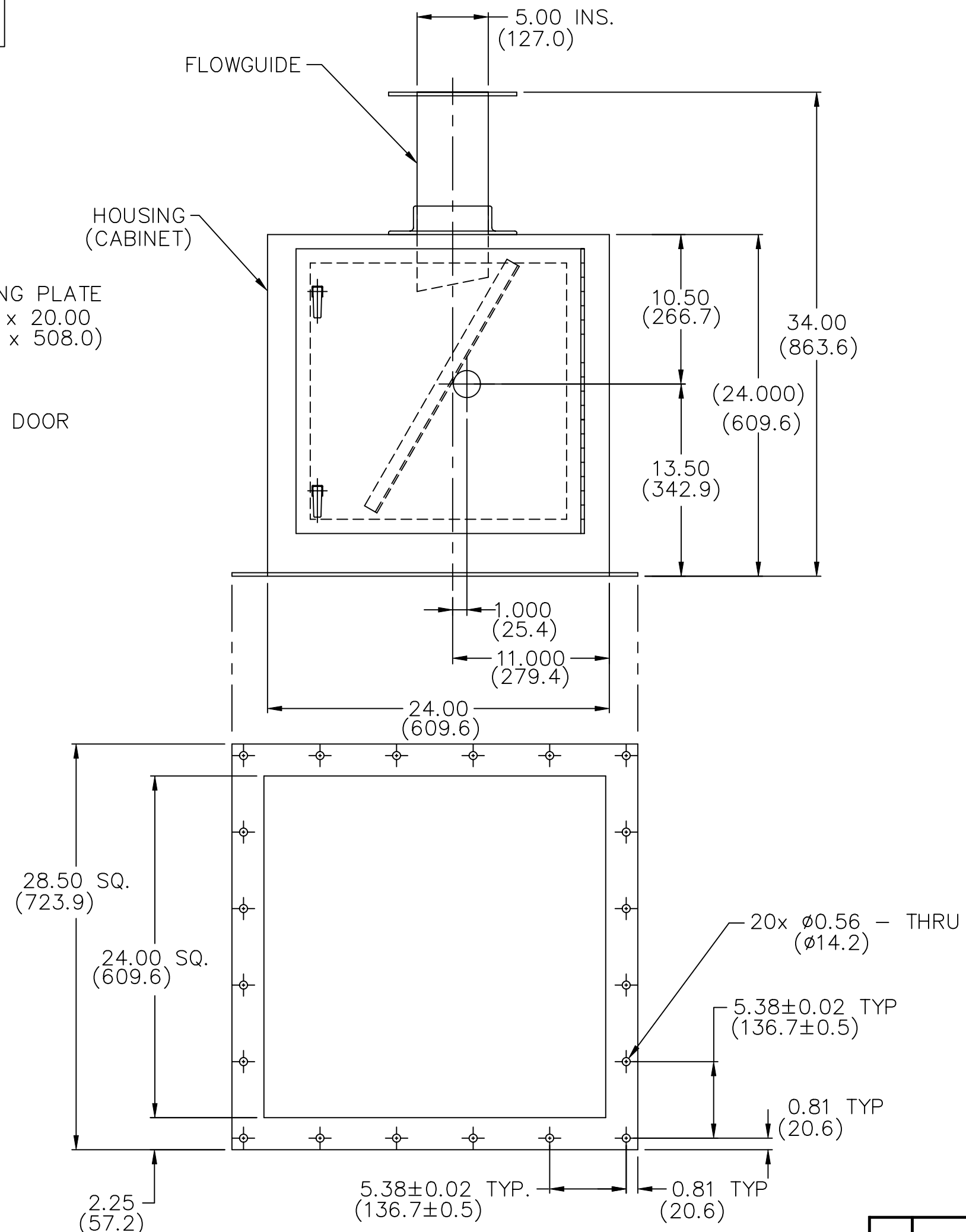


NOTES:

1. DIMENSIONS IN INCHES, () DENOTES DIMENSIONS IN MILLIMETERS.
2. SENSING HEAD SUPPORT SHOULD BE RIGID AND INDEPENDENT OF HOUSING (CABINET).
3. ANY MODIFICATION OR CHANGE SHOULD BE APPROVED BY SIEMENS MILLTRONICS.
4. SEE DATA SHEET FOR MATERIAL SPECIFICATIONS.
5. SEE INSTRUCTION MANUAL FOR LEVELING OR CONTACT YOUR SIEMENS MILLTRONICS REPRESENTATIVE.
6. MATERIAL: H.R.STEEL PAINTED SURFACE



USE DIMENSIONS ONLY - DO NOT SCALE		0	FOR RELEASE	RPC	RDC	MAY 06/04
DIMENSIONS ARE IN INCHES		Rev.	Revision / ECN Description	Drawn	Appr.	Date
Third Angle Projection	Product Group	Tolerance Unless Otherwise Noted: UOS		Scale:	Size:	
	MASS DYNAMICS	1 Place Decimal \pm 0.03	Angles: \pm 0.5°	1=8	C	
For Public Release	Date:	SIEMENS MILLTRONICS PROCESS INSTRUMENTS INC. Peterborough, Ontario, Canada		DRAWING No: 23650543		
	Drawn:	Peterborough, Ontario, Canada		Rev. 0		
	Checked:	Peterborough, Ontario, Canada		Rev. 0		
	Approved:	Peterborough, Ontario, Canada		Rev. 0		
	Location:	Peterborough, Ontario, Canada		Rev. 0		
	File No.:	Peterborough, Ontario, Canada		Rev. 0		
File No. 2365054300		Plot at: 1=8	Sheet 1 of 1			