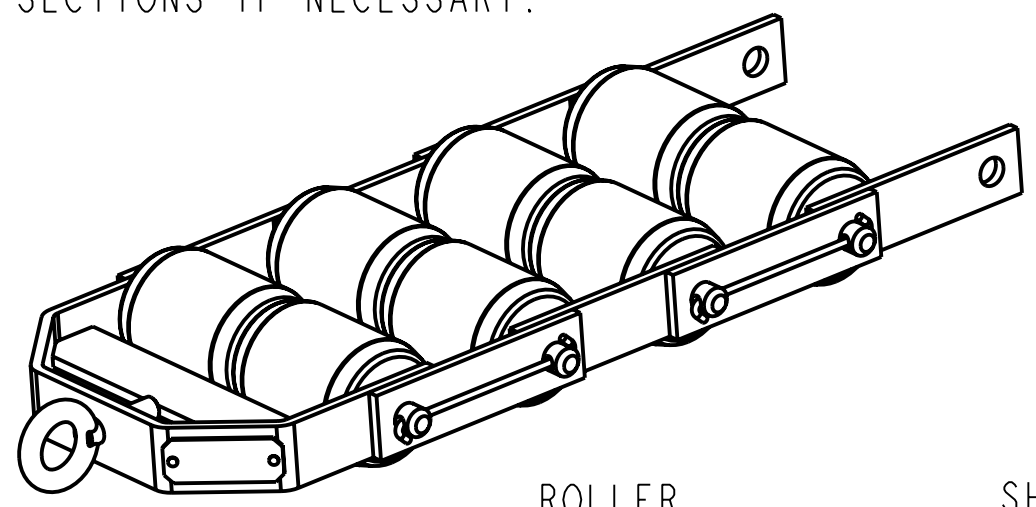
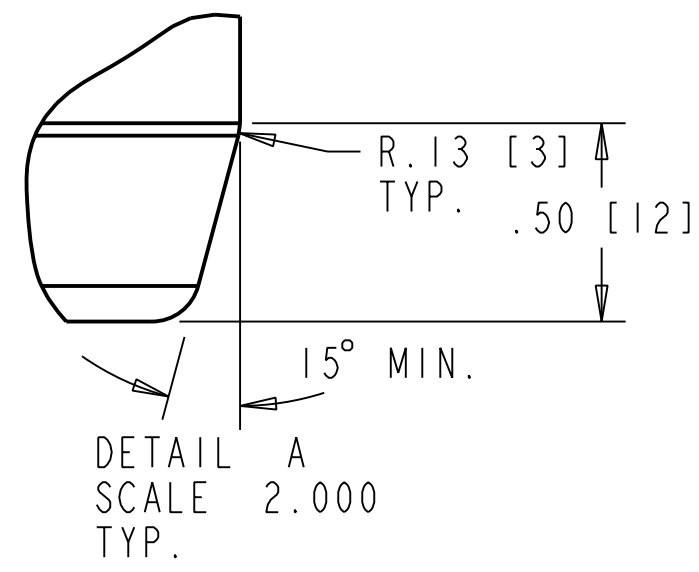
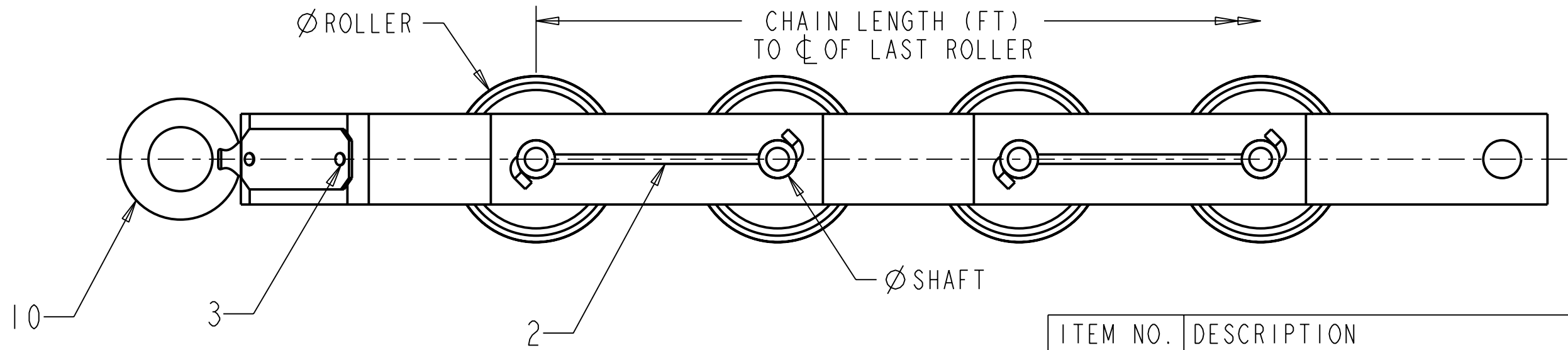
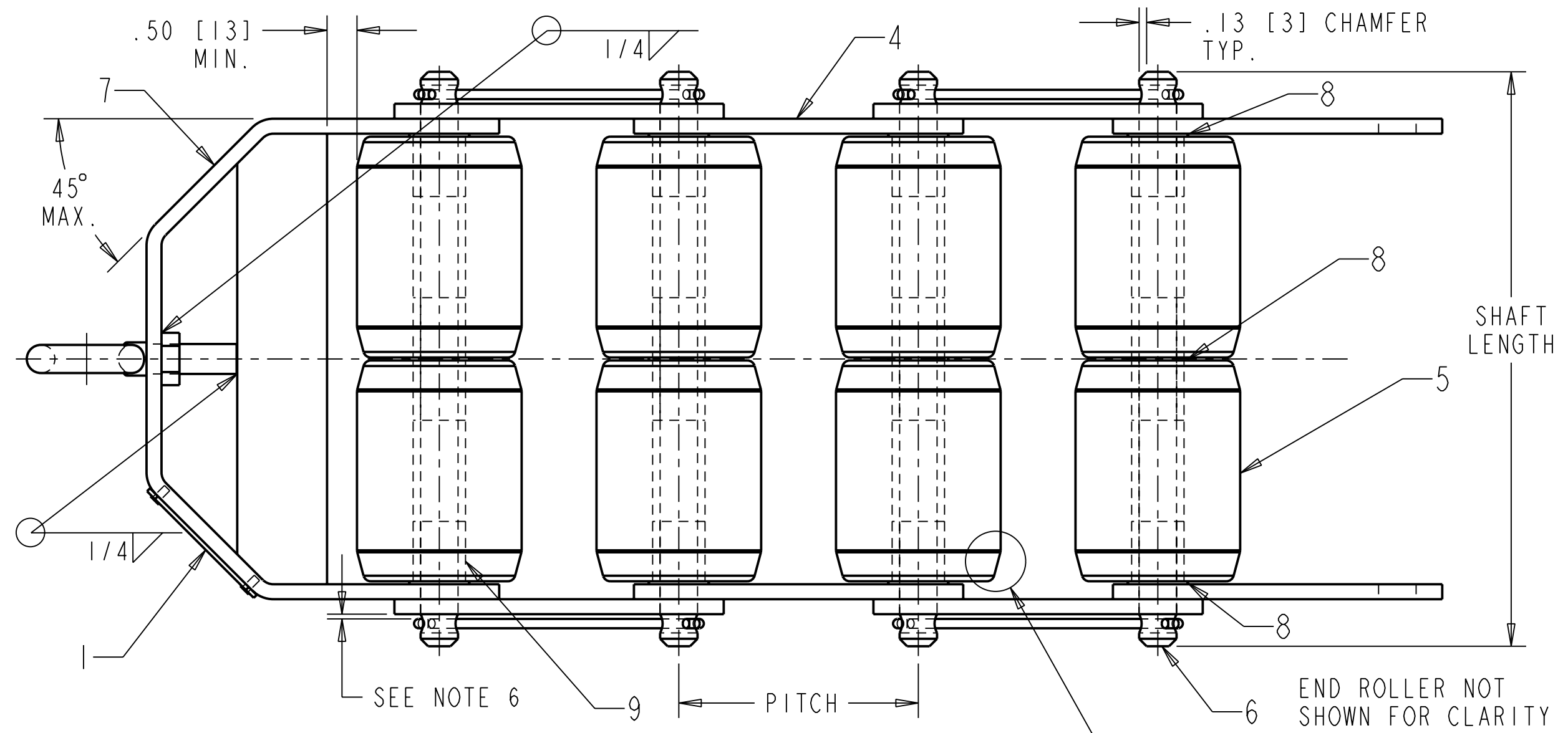


- NOTES
1. DIMENSIONS IN INCHES [mm]
 2. GENERAL TOLERANCES ± 0.06 , HOLE DIA. TOLERANCES ± 0.01 , UNLESS OTHERWISE SPECIFIED.
 3. MATERIAL: MILD STEEL UNLESS OTHERWISE NOTED.
 4. FINISH: GRIND OFF SHARP CORNERS AND CLEAN ALL SURFACES
 5. PAINT: NONE
- FABRICATION:
6. SHAFT (ITEM 6) SHOULD BE AN EASY SLIDING FIT. TRANSVERSE MOVEMENT OF SHAFT SHOULD BE LIMITED TO $+0.005$ " [.13] / $+0.01$ [.25], CUMULATIVE. FINAL ASSEMBLY SHOULD ENSURE LEAST PRACTICAL PLAY. ROLLERS SHOULD ROTATE SMOOTHLY.
- INSPECTION:
7. BUSHINGS TO BE PRESS FIT IN.
 8. ALL PARTS SUPPLIED BY FABRICATOR.
- SHIPMENT:
9. WEIGH THE CHAIN WITH SHACKLES REMOVED ON A "WEIGHTS & MEASURES" CERTIFIED SCALE WITH A MINIMUM RESOLUTION OF 0.5 LBS., LINKS AT .01 LBS.
 10. MEASURE THE LENGTH OF THE TEST CHAIN FROM THE CENTER LINES OF THE LAST ROLLERS WHILE THE TEST CHAIN IS FULLY STRETCHED ON A FLAT SURFACE.
 11. MEASURE THE LENGTH OF THE TEST CHAIN FROM THE CENTER LINES OF THE LAST ROLLERS WHILE THE TEST CHAIN IS FULLY COMPRESSED ON A FLAT SURFACE.
 12. THE CHAIN SHOULD APPEAR AS SHOWN, AND MAY BE 1 PITCH LONGER THEN STATED ON THE PURCHASE ORDER.
 13. FORM 2-306 MUST BE COMPLETED AND SENT FOR APPROVAL FROM APPLICATION ENGINEERING.
 14. STAMP BRASS PLATE PER RETURNED FORM 2-306 AND FASTEN TO SHACKLE WITH RIVETS.
15. PRIOR TO SHIPMENT SOAK TEST CHAIN IN A RUST INHIBITOR. WRAP IN PLASTIC SHEETING.
16. PACK AND SHIP THE CHAIN IN WOODEN CRATE(S) IN SECTIONS IF NECESSARY.



ITEM NO.	DESCRIPTION
1	BRASS PLATE 14GA. 1"X2-33/64"
2	PIN 304 SS BAR
3	RIVET, SPAE-NAUR RVT-2008
4	TEST CHAIN LINK, CRS
5	TEST CHAIN ROLLER, MS
6	TEST CHAIN SHAFT, CRS
7	TEST CHAIN SHACKLE, MS
8	FLAT WASHER, SAE ZINC PL.
9	BUSHING, BOSTON OIL-IMP
10	EYE-BOLT, SPAE-NAUR EYB-14, MIN

ITEM NO.	LBS/FT	ROLLER		SHAFT		LINK DIM.	PIN DIA.	BUSHING NO.	
		PITCH	DIA.	LENGTH	DIA.				LENGTH
7MH71610J	40	4.0"	2.75"	3.69"	5/8"	9.60"	.25 x 1.5 x 5.5"	5/32"	B1014-8
7MH71610K	45	4.0"	2.875"	3.84"	5/8"	9.90"	.25 x 1.5 x 5.5"	5/32"	B1014-8
7MH71610L	50	4.0"	3.0"	3.95"	5/8"	10.12"	.25 x 1.5 x 5.5"	5/32"	B1014-8
7MH71610M	55	4.0"	3.0"	4.39"	5/8"	10.99"	.25 x 1.5 x 5.5"	5/32"	B1014-8
7MH71610N	60	6.0"	3.75"	4.49"	3/4"	11.27"	.25 x 2.0 x 8.0"	3/16"	B1216-9
7MH71610P	70	6.0"	4.0"	4.66"	3/4"	11.60"	.25 x 2.0 x 8.0"	3/16"	B1216-9
7MH71610Q	80	6.0"	4.0"	5.38"	3/4"	13.05"	.25 x 2.0 x 8.0"	3/16"	B1216-9
7MH71610R	90	6.0"	4.0"	6.11"	3/4"	14.50"	.25 x 2.0 x 8.0"	3/16"	B1216-9
7MH71610S	100	6.0"	4.50"	5.31"	7/8"	13.12"	.25 x 2.5 x 8.5"	3/16"	B1418-10

LENGTH DIMENSIONS PROVIDED ON PURCHASE ORDER. Z ORDER CODE, LENGTH PROVIDED IN FEET.

DIMENSIONS ARE IN INCHES
USE DIMENSIONS ONLY- DO NOT SCALE

Rev 03 ECN/Description

Rev 04 CHANGED EYE BOLT SPEC
Rev 05 UPDATE TO NEW MLFB NUMBERS
Rev 06 UPDATE TO PRO-E DRAWING

Rev 07

Rev 08

Rev 09

Rev 10

Rev 11

Rev 12

Rev 13

Rev 14

Rev 15

Rev 16

Rev 17

Rev 18

Rev 19

Rev 20

Rev 21

Rev 22

Rev 23

Rev 24

Rev 25

Rev 26

Rev 27

Rev 28

Rev 29

Rev 30

Rev 31

Rev 32

Rev 33

Rev 34

Rev 35

Rev 36

Rev 37

Rev 38

Rev 39

Rev 40

Rev 41

Rev 42

Rev 43

Rev 44

Rev 45

Rev 46

Rev 47

Rev 48

Rev 49

Rev 50

Rev 51

Rev 52

Rev 53

Rev 54

Rev 55

Rev 56

Rev 57

Rev 58

Rev 59

Rev 60

Rev 61

Rev 62

Rev 63

Rev 64

Rev 65

Rev 66

Rev 67

Rev 68

Rev 69

Rev 70

Rev 71

Rev 72

Rev 73

Rev 74

Rev 75

Rev 76

Rev 77

Rev 78

Rev 79

Rev 80

Rev 81

Rev 82

Rev 83

Rev 84

Rev 85

Rev 86

Rev 87

Rev 88

Rev 89

Rev 90

Rev 91

Rev 92

Rev 93

Rev 94

Rev 95

Rev 96

Rev 97

Rev 98

Rev 99

Rev 100

Rev 101

Rev 102

Rev 103

Rev 104

Rev 105

Rev 106

Rev 107

Rev 108

Rev 109

Rev 110

Rev 111

Rev 112

Rev 113

Rev 114

Rev 115

Rev 116

Rev 117

Rev 118

Rev 119

Rev 120

Rev 121

Rev 122

Rev 123

Rev 124

Rev 125

Rev 126

Rev 127

Rev 128

Rev 129

Rev 130

Rev 131

Rev 132

Rev 133

Rev 134

Rev 135

Rev 136

Rev 137

Rev 138

Rev 139

Rev 140

Rev 141

Rev 142

Rev 143

Rev 144

Rev 145

Rev 146

Rev 147

Rev 148

Rev 149

Rev 150

Rev 151

Rev 152

Rev 153

Rev 154

Rev 155

Rev 156

Rev 157

Rev 158

Rev 159

Rev 160

Rev 161

Rev 162

Rev 163

Rev 164

Rev 165

Rev 166

Rev 167

Rev 168

Rev 169

Rev 170

Rev 171

Rev 172

Rev 173

Rev 174

Rev 175

Rev 176

Rev 177

Rev 178

Rev 179

Rev 180

Rev 181

Rev 182

Rev 183

Rev 184

Rev 185

Rev 186

Rev 187

Rev 188

Rev 189

Rev 190

Rev 191

Rev 192

Rev 193

Rev 194

Rev 195

Rev 196

Rev 197

Rev 198

Rev 199

Rev 200

Rev 201

Rev 202

Rev 203

Rev 204

Rev 205

Rev 206

Rev 207

Rev 208

Rev 209

Rev 210

Rev 211

Rev 212

Rev 213

Rev 214

Rev 215

Rev 216

Rev 217

Rev 218

Rev 219

Rev 220

Rev 221

Rev 222

Rev 223

Rev 224

Rev 225

Rev 226

Rev 227

Rev 228

Rev 229

Rev 230

Rev 231

Rev 232

Rev 233

Rev 234

Rev 235

Rev 236

Rev 237

Rev 238

Rev 239

Rev 240

Rev 241

Rev 242

Rev 243

Rev 244

Rev 245

Rev 246

Rev 247

Rev 248

Rev 249

Rev 250

Rev 251

Rev 252

Rev 253

Rev 254

Rev 255

Rev 256

Rev 257

Rev 258

Rev 259

Rev 260

Rev 261

Rev 262

Rev 263

Rev 264

Rev 265

Rev 266

Rev 267

Rev 268

Rev 269

Rev 270

Rev 271

Rev 272

Rev 273

Rev 274

Rev 275

Rev 276

Rev 277

Rev 278

Rev 279

Rev 280

Rev 281

Rev 282

Rev 283

Rev 284

Rev 285

Rev 286

Rev 287

Rev 288

Rev 289

Rev 290

Rev 291

Rev 292

Rev 293

Rev 294

Rev 295

Rev 296

Rev 297

Rev 298

Rev 299

Rev 300

Rev 301

Rev 302

Rev 303

Rev 304

Rev 305

Rev 306

Rev 307

Rev 308

Rev 309

Rev 310

Rev 311

Rev 312

Rev 313

Rev 314

Rev 315

Rev 316

Rev 317

Rev 318

Rev 319

Rev 320

Rev 321

Rev 322

Rev 323

Rev 324

Rev 325

Rev 326

Rev 327

Rev 328

Rev 329

Rev 330

Rev 331

Rev 332

Rev 333

Rev 334

Rev 335

Rev 336

Rev 337

Rev 338

Rev 339

Rev 340

Rev 341

Rev 342

Rev 343

Rev 344

Rev 345

Rev 346

Rev 347

Rev 348

Rev 349

Rev 350

Rev 351

Rev 352

Rev 353

Rev 354

Rev 355

Rev 356

Rev 357

Rev 358

Rev 359

Rev 360

Rev 361

Rev 362

Rev 363

Rev 364

Rev 365

Rev 366

Rev 367

Rev 368

Rev 369

Rev 370

Rev 371

Rev 372

Rev 373

Rev 374

Rev 375

Rev 376

Rev 377

Rev 378

Rev 379

Rev 380

Rev 381

Rev 382

Rev 383

Rev 384

Rev 385

Rev 386

Rev 387

Rev 388

Rev 389

Rev 390

Rev 391

Rev 392

Rev 393

Rev 394

Rev 395

Rev 396

Rev 397

Rev 398

Rev 399

Rev 400

Rev 401

Rev 402

Rev 403

Rev 404

Rev 405

Rev 406

Rev 407

Rev 408

Rev 409

Rev 410

Rev 411

Rev 412

Rev 413

Rev 414

Rev 415

Rev 416

Rev 417

Rev 418

Rev 419

Rev 420

Rev 421

Rev 422

Rev 423

Rev 424

Rev 425

Rev 426

Rev 427

Rev 428

Rev 429

Rev 430

Rev 431

Rev 432

Rev 433

Rev 434

Rev 435

Rev 436

Rev 437

Rev 438

Rev 439

Rev 440

Rev 441

Rev 442

Rev 443

Rev 444

Rev 445

Rev 446

Rev 447

Rev 448

Rev 449

Rev 450

Rev 451

Rev 452

Rev 453

Rev 454

Rev 455

Rev 456

Rev 457

Rev 458

Rev 459

Rev 460

Rev 461

Rev 462

Rev 463

Rev 464

Rev 465

Rev 466

Rev 467

Rev 468

Rev 469

Rev 470

Rev 471

Rev 472

Rev 473

Rev 474

Rev 475

Rev 476

Rev 477

Rev 478

Rev 479

Rev 480

Rev 481

Rev 482

Rev 483

Rev 484

Rev 485

Rev 486

Rev 487

Rev 488

Rev 489

Rev 490

Rev 491

Rev 492

Rev 493

Rev 494

Rev 495

Rev 496

Rev 497

Rev 498

Rev 499

Rev 500

Rev 501

Rev 502

Rev 503

Rev 504

Rev 505

Rev 506

Rev 507

Rev 508

Rev 509

Rev 510

Rev 511

Rev 512

Rev 513

Rev 514

Rev 515

Rev 516

Rev 517

Rev 518

Rev 519

Rev 520

Rev 521

Rev 522

Rev 523

Rev 524

Rev 525

Rev 526

Rev 527

Rev 528

Rev 529

Rev 530

Rev 531

Rev 532

Rev 533

Rev 534

Rev 535

Rev 536

Rev 537

Rev 538

Rev 539

Rev 540

Rev 541

Rev 542

Rev 543

Rev 544

Rev 545

Rev 546

Rev 547

Rev 548

Rev 549

Rev 550

Rev 551

Rev 552

Rev 553

Rev 554

Rev 555

Rev 556

Rev 557

Rev 558

Rev 559

Rev 560

Rev 561

Rev 562

Rev 563

Rev 564

Rev 565

Rev 566

Rev 567

Rev 568

Rev 569

Rev 570

Rev 571

Rev 572

Rev 573

Rev 574

Rev 575

Rev 576

Rev 577

Rev 578

Rev 579

Rev 580

Rev 581

Rev 582

Rev 583

Rev 584

Rev 585

Rev 586

Rev 587

Rev 588

Rev 589

Rev 590

Rev 591

Rev 592

Rev 593

Rev 594

Rev 595

Rev 596

Rev 597

Rev 598

Rev 599

Rev 600

Rev 601

Rev 602

Rev 603

Rev 604

Rev 605

Rev 606

Rev 607

Rev 608

Rev 609

Rev 610

Rev 611

Rev 612

Rev 613

Rev 614

Rev 615

Rev 616

Rev 617

Rev 618

Rev 619

Rev 620

Rev 621

Rev 622

Rev 623

Rev 624

Rev 625

Rev 626

Rev 627

Rev 628

Rev 629

Rev 630

Rev 631

Rev 632

Rev 633

Rev 634

Rev 635

Rev 636

Rev 637

Rev 638

Rev 639

Rev 640

Rev 641

Rev 642

Rev 643

Rev 644

Rev 645

Rev 646

Rev 647

Rev 648

Rev 649

Rev 650

Rev 651

Rev 652

Rev 653

Rev 654

Rev 655

Rev 656

Rev 657

Rev 658

Rev 659

Rev 660

Rev 661

Rev 662

Rev 663

Rev 664

Rev 665

Rev 666

Rev 667

Rev 668

Rev 669

Rev 670

Rev 671

Rev 672

Rev 673

Rev 674

Rev 675

Rev 676

Rev 677

Rev 678

Rev 679

Rev 680

Rev 681

Rev 682

Rev 683

Rev 684

Rev 685

Rev 686

Rev 687

Rev 688

Rev 689

Rev 690

Rev 691

Rev 692

Rev 693

Rev 694

Rev 695

Rev 696

Rev 697

Rev 698

Rev 699

Rev 700

Rev 701

Rev 702

Rev 703

Rev 704

Rev 705

Rev 706

Rev 707

Rev 708

Rev 709

Rev 710

Rev 711

Rev 712

Rev 713

Rev 714

Rev 715

Rev 716

Rev 717

Rev 718

Rev 719

Rev 720

Rev 721

Rev 722

Rev 723

Rev 724

Rev 725

Rev 726

Rev 727

Rev 728

Rev 729

Rev 730

Rev 731

Rev 732

Rev 733

Rev 734

Rev 735

Rev 736

Rev 737

Rev 738

Rev 739

Rev 740

Rev 741

Rev 742

Rev 743

Rev 744

Rev 745

Rev 746

Rev 747

Rev 748

Rev 749

Rev 750

Rev 751

Rev 752

Rev 753

Rev 754

Rev 755

Rev 756

Rev 757

Rev 758

Rev 759

Rev 760

Rev 761

Rev 762

Rev 763

Rev 764

Rev 765

Rev 766

Rev 767

Rev 768

Rev 769

Rev 770

Rev 771

Rev 772

Rev 773

Rev 774

Rev 775

Rev 776

Rev 777

Rev 778

Rev 779

Rev 780

Rev 781

Rev 782

Rev 783

Rev 784

Rev 785

Rev 786

Rev 787

Rev 788

Rev 789

Rev 790

Rev 791

Rev 792

Rev 793

Rev 794

Rev 795

Rev 796

Rev 797

Rev 798

Rev 799

Rev 800

Rev 801

Rev 802

Rev 803

Rev 804

Rev 805

Rev 806

Rev 807

Rev 808

Rev 809

Rev 810

Rev 811

Rev 812

Rev 813

Rev 814

Rev 815

Rev 816

Rev 817

Rev 818

Rev 819

Rev 820

Rev 821

Rev 822

Rev 823

Rev 824

Rev 825

Rev 826

Rev 827

Rev 828

Rev 829

Rev 830

Rev 831

Rev 832

Rev 833

Rev 834

Rev 835

Rev 836

Rev 837

Rev 838

Rev 839

Rev 840

Rev 841

Rev 842

Rev 843

Rev 844

Rev 845

Rev 846

Rev 847

Rev 848

Rev 849

Rev 850

Rev 851

Rev 852

Rev 853

Rev 854

Rev 855

Rev 856

Rev 857

Rev 858

Rev 859

Rev 860

Rev 861

Rev 862