

Belt Weighing Belt Scales Accessories

Milltronics Test Chains

Overview



Roller test chains are used for belt scale calibration when material tests are not practical. All test chains are bushed. Minimum length is 4 feet (1.2 m).

Selection and Ordering data

Milltronics test chains	Order No.
5 lb/ft (7.4 kg/m), 6" pitch	AA 1
4 ... 7 ft (1.2 ... 2.1 m)	AA 2
8 ... 11 ft (2.4 ... 3.4 m)	AA 3
12 ... 15 ft (3.7 ... 4.6 m)	AA 4
16 ... 19 ft (4.9 ... 5.8 m)	AA 5
20 ... 23 ft (6.1 ... 7.0 m)	AA 6
24 ... 27 ft (7.3 ... 8.2 m)	AA 7
28 ... 31 ft (8.5 ... 9.4 m)	AA 8
32 ... 35 ft (9.8 ... 10.7 m)	
7.5 lb/ft (11.2 kg/m), 6" pitch	BB 1
4 ... 7 ft (1.2 ... 2.1 m)	BB 2
8 ... 11 ft (2.4 ... 3.4 m)	BB 3
12 ... 15 ft (3.7 ... 4.6 m)	BB 4
16 ... 19 ft (4.9 ... 5.8 m)	BB 5
20 ... 23 ft (6.1 ... 7.0 m)	BB 6
24 ... 27 ft (7.3 ... 8.2 m)	BB 7
28 ... 31 ft (8.5 ... 9.4 m)	BB 8
32 ... 35 ft (9.8 ... 10.7 m)	
10 lb/ft (14.9 kg/m), 4" pitch	CC 1
4 ... 7 ft (1.2 ... 2.1 m)	CC 2
8 ... 11 ft (2.4 ... 3.4 m)	CC 3
12 ... 15 ft (3.7 ... 4.6 m)	CC 4
16 ... 19 ft (4.9 ... 5.8 m)	CC 5
20 ... 23 ft (6.1 ... 7.0 m)	CC 6
24 ... 27 ft (7.3 ... 8.2 m)	CC 7
28 ... 31 ft (8.5 ... 9.4 m)	CC 8
32 ... 35 ft (9.8 ... 10.7 m)	
15 lb/ft (22.3 kg/m), 4" pitch	DD 1
4 ... 7 ft (1.2 ... 2.1 m)	DD 2
8 ... 11 ft (2.4 ... 3.4 m)	DD 3
12 ... 15 ft (3.7 ... 4.6 m)	DD 4
16 ... 19 ft (4.9 ... 5.8 m)	DD 5
20 ... 23 ft (6.1 ... 7.0 m)	DD 6
24 ... 27 ft (7.3 ... 8.2 m)	DD 7
28 ... 31 ft (8.5 ... 9.4 m)	DD 8
32 ... 35 ft (9.8 ... 10.7 m)	

Selection and Ordering data

Milltronics test chains	Order No.
20 lb/ft (29.8 kg/m), 4" pitch	EE 1
4 ... 7 ft (1.2 ... 2.1 m)	EE 2
8 ... 11 ft (2.4 ... 3.4 m)	EE 3
12 ... 15 ft (3.7 ... 4.6 m)	EE 4
16 ... 19 ft (4.9 ... 5.8 m)	EE 5
20 ... 23 ft (6.1 ... 7.0 m)	EE 6
24 ... 27 ft (7.3 ... 8.2 m)	EE 7
28 ... 31 ft (8.5 ... 9.4 m)	EE 8
32 ... 35 ft (9.8 ... 10.7 m)	
25 lb/ft (37.2 kg/m), 4" pitch	FF 1
4 ... 7 ft (1.2 ... 2.1 m)	FF 2
8 ... 11 ft (2.4 ... 3.4 m)	FF 3
12 ... 15 ft (3.7 ... 4.6 m)	FF 4
16 ... 19 ft (4.9 ... 5.8 m)	FF 5
20 ... 23 ft (6.1 ... 7.0 m)	FF 6
24 ... 27 ft (7.3 ... 8.2 m)	FF 7
28 ... 31 ft (8.5 ... 9.4 m)	FF 8
32 ... 35 ft (9.8 ... 10.7 m)	
30 lb/ft (44.6 kg/m), 4" pitch	GG 1
4 ... 7 ft (1.2 ... 2.1 m)	GG 2
8 ... 11 ft (2.4 ... 3.4 m)	GG 3
12 ... 15 ft (3.7 ... 4.6 m)	GG 4
16 ... 19 ft (4.9 ... 5.8 m)	GG 5
20 ... 23 ft (6.1 ... 7.0 m)	GG 6
24 ... 27 ft (7.3 ... 8.2 m)	GG 7
28 ... 31 ft (8.5 ... 9.4 m)	GG 8
32 ... 35 ft (9.8 ... 10.7 m)	
35 lb/ft (52.1 kg/m), 4" pitch	HH 1
4 ... 7 ft (1.2 ... 2.1 m)	HH 2
8 ... 11 ft (2.4 ... 3.4 m)	HH 3
12 ... 15 ft (3.7 ... 4.6 m)	HH 4
16 ... 19 ft (4.9 ... 5.8 m)	HH 5
20 ... 23 ft (6.1 ... 7.0 m)	HH 6
24 ... 27 ft (7.3 ... 8.2 m)	HH 7
28 ... 31 ft (8.5 ... 9.4 m)	HH 8
32 ... 35 ft (9.8 ... 10.7 m)	
40 lb/ft (59.5 kg/m), 4" pitch	JJ 1
4 ... 7 ft (1.2 ... 2.1 m)	JJ 2
8 ... 11 ft (2.4 ... 3.4 m)	JJ 3
12 ... 15 ft (3.7 ... 4.6 m)	JJ 4
16 ... 19 ft (4.9 ... 5.8 m)	JJ 5
20 ... 23 ft (6.1 ... 7.0 m)	JJ 6
24 ... 27 ft (7.3 ... 8.2 m)	JJ 7
28 ... 31 ft (8.5 ... 9.4 m)	JJ 8
32 ... 35 ft (9.8 ... 10.7 m)	
45 lb/ft (67.0 kg/m), 4" pitch	KK 1
4 ... 7 ft (1.2 ... 2.1 m)	KK 2
8 ... 11 ft (2.4 ... 3.4 m)	KK 3
12 ... 15 ft (3.7 ... 4.6 m)	KK 4
16 ... 19 ft (4.9 ... 5.8 m)	KK 5
20 ... 23 ft (6.1 ... 7.0 m)	KK 6
24 ... 27 ft (7.3 ... 8.2 m)	KK 7
28 ... 31 ft (8.5 ... 9.4 m)	KK 8
32 ... 35 ft (9.8 ... 10.7 m)	

Belt Weighing

Belt Scales Accessories

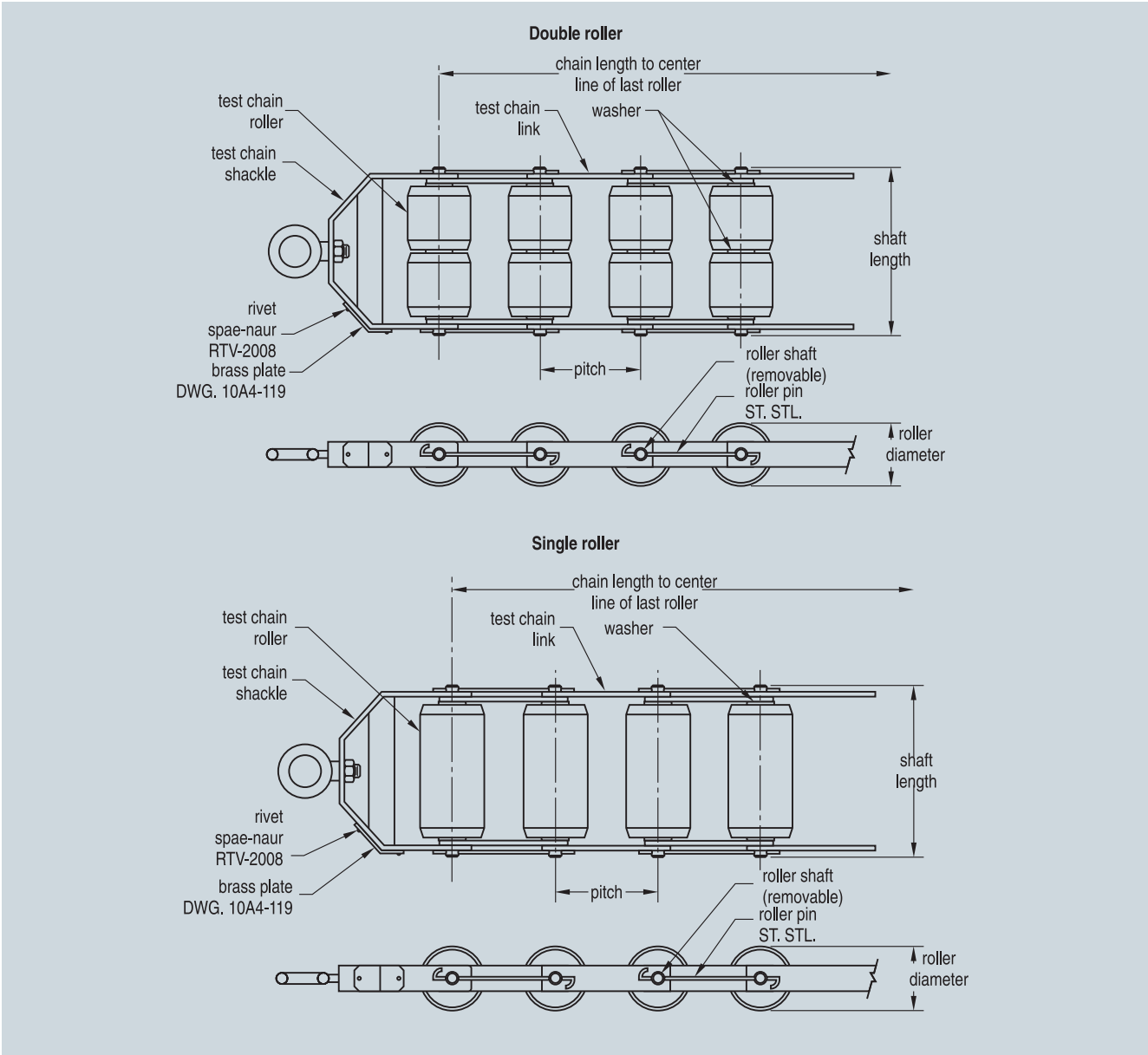
Milltronics Test Chains

Selection and Ordering data	Order No.
Milltronics test chains	C) 7MH7161-
Roller test chains are used for belt scale calibration when material tests are not practical. All test chains are bushed. Minimum length is 4 feet (1.2 m).	0 ■■■ 0
<u>50 lb/ft (74.4 kg/m), 4" pitch</u>	
4 ... 7 ft (1.2 ... 2.1 m)	LL 1
8 ... 11 ft (2.4 ... 3.4 m)	LL 2
12 ... 15 ft (3.7 ... 4.6 m)	LL 3
16 ... 19 ft (4.9 ... 5.8 m)	LL 4
20 ... 23 ft (6.1 ... 7.0 m)	LL 5
24 ... 27 ft (7.3 ... 8.2 m)	LL 6
28 ... 31 ft (8.5 ... 9.4 m)	LL 7
32 ... 35 ft (9.8 ... 10.7 m)	LL 8
<u>60 lb/ft (89.3 kg/m), 6" pitch</u>	
4 ... 7 ft (1.2 ... 2.1 m)	NN 1
8 ... 11 ft (2.4 ... 3.4 m)	NN 2
12 ... 15 ft (3.7 ... 4.6 m)	NN 3
16 ... 19 ft (4.9 ... 5.8 m)	NN 4
20 ... 23 ft (6.1 ... 7.0 m)	NN 5
24 ... 27 ft (7.3 ... 8.2 m)	NN 6
28 ... 31 ft (8.5 ... 9.4 m)	NN 7
32 ... 35 ft (9.8 ... 10.7 m)	NN 8
<u>70 lb/ft (104.2 kg/m), 6" pitch</u>	
4 ... 7 ft (1.2 ... 2.1 m)	PP 1
8 ... 11 ft (2.4 ... 3.4 m)	PP 2
12 ... 15 ft (3.7 ... 4.6 m)	PP 3
16 ... 19 ft (4.9 ... 5.8 m)	PP 4
20 ... 23 ft (6.1 ... 7.0 m)	PP 5
24 ... 27 ft (7.3 ... 8.2 m)	PP 6
28 ... 31 ft (8.5 ... 9.4 m)	PP 7
32 ... 35 ft (9.8 ... 10.7 m)	PP 8
<u>80 lb/ft (119.1 kg/m), 6" pitch</u>	
4 ... 7 ft (1.2 ... 2.1 m)	QQ 1
8 ... 11 ft (2.4 ... 3.4 m)	QQ 2
12 ... 15 ft (3.7 ... 4.6 m)	QQ 3
16 ... 19 ft (4.9 ... 5.8 m)	QQ 4
20 ... 23 ft (6.1 ... 7.0 m)	QQ 5
24 ... 27 ft (7.3 ... 8.2 m)	QQ 6
28 ... 31 ft (8.5 ... 9.4 m)	QQ 7
32 ... 35 ft (9.8 ... 10.7 m)	QQ 8
<u>90 lb/ft (133.9 kg/m), 6" pitch</u>	
4 ... 7 ft (1.2 ... 2.1 m)	RR 1
8 ... 11 ft (2.4 ... 3.4 m)	RR 2
12 ... 15 ft (3.7 ... 4.6 m)	RR 3
16 ... 19 ft (4.9 ... 5.8 m)	RR 4
20 ... 23 ft (6.1 ... 7.0 m)	RR 5
24 ... 27 ft (7.3 ... 8.2 m)	RR 6
28 ... 31 ft (8.5 ... 9.4 m)	RR 7
32 ... 35 ft (9.8 ... 10.7 m)	RR 8
<u>100 lb/ft (148.8 kg/m), 6" pitch</u>	
4 ... 7 ft (1.2 ... 2.1 m)	SS 1
8 ... 11 ft (2.4 ... 3.4 m)	SS 2
12 ... 15 ft (3.7 ... 4.6 m)	SS 3
16 ... 19 ft (4.9 ... 5.8 m)	SS 4
20 ... 23 ft (6.1 ... 7.0 m)	SS 5
24 ... 27 ft (7.3 ... 8.2 m)	SS 6
28 ... 31 ft (8.5 ... 9.4 m)	SS 7
32 ... 35 ft (9.8 ... 10.7 m)	SS 8

Selection and Ordering data	Order No.
Milltronics test chains	C) 7MH7161-
Roller test chains are used for belt scale calibration when material tests are not practical. All test chains are bushed. Minimum length is 4 feet (1.2 m).	0 ■■■ 0
Further models	
Please add "-Z" to Order No. and specify Order codes(s)	Order code
Total length	
Enter the total length in plain text description: Y01: Total length ... ft	Y01
Instruction manual	Order No.
English	C) 7ML1998-5JD01
German	C) 7ML1998-5JD31
Note: The instruction manual should be ordered as a separate item on the order.	
This device is shipped with the Siemens Milltronics manual CD containing the complete instruction manual library.	

C) Subject to export regulations AL: N, ECCN: EAR99

Dimensional drawings



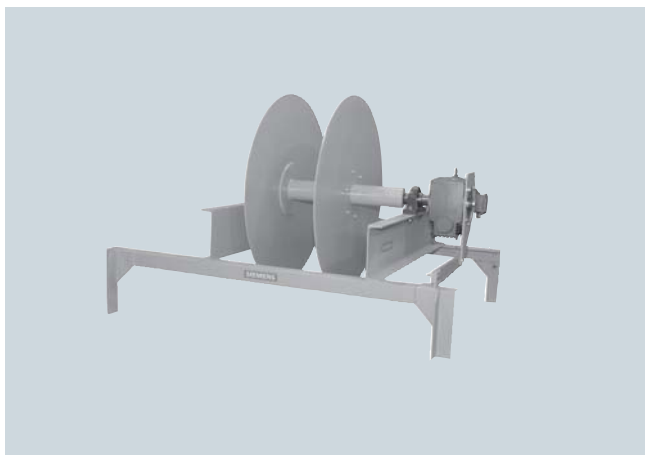
Milltronics test chain dimensions

Belt Weighing

Belt Scales Accessories

Milltronics Test Chain Storage Reels

Overview



Test chain storage reels are used to store roller test chains. All test chain storage reels come with a geared brake motor.

Selection and Ordering data

Milltronics test chain storage reels

Test chain storage reels are used to store roller test chains. All test chain storage reels come with a geared brake motor.

Compartment size

5 inches (127 mm) for chain sizes: 5 lb/ft (7.4 kg/m), 10 lb/ft (14.9 kg/m)	0
6 inches (152 mm) for chain sizes: 7.5 lb/ft (11.2 kg/m)	1
7 inches (178 mm) for chain sizes: 15 lb/ft (22.3 kg/m), 20 lb/ft (29.8 kg/m), 25 lb/ft (37.2 kg/m)	2
8 inches (203 mm) for chain sizes: 30 lb/ft (44.6 kg/m), 35 lb/ft (52.1 kg/m)	3
11 inches (279 mm) for chain sizes: 40 lb/ft (59.5 kg/m), 45 lb/ft (67.0 kg/m), 50 lb/ft (74.4 kg/m)	4
12 inches (305 mm) for chain sizes: 55 lb/ft (81.9 kg/m), 60 lb/ft (89.3 kg/m)	5
13 inches (330 mm) for chain sizes: 70 lb/ft (104.2 kg/m)	6
14 inches (356 mm) for chain sizes: 80 lb/ft (119.1 kg/m), 100 lb/ft (148.8 kg/m)	7
16 inches (406 mm) for chain sizes: 90 lb/ft (133.9 kg/m)	8

C dimension

25 inches (635 mm)	AA
26 inches (660 mm)	AB
27 inches (686 mm)	AC
28 inches (711 mm)	AD
29 inches (737 mm)	AE
30 inches (762 mm)	AF
31 inches (787 mm)	AG
32 inches (813 mm)	AH
33 inches (838 mm)	AJ
34 inches (864 mm)	AK
35 inches (889 mm)	AL
36 inches (914 mm)	AM
37 inches (940 mm)	AN
38 inches (965 mm)	AP
39 inches (991 mm)	AQ
40 inches (1016 mm)	AR
41 inches (1041 mm)	AS
42 inches (1067 mm)	AT

Selection and Ordering data

Milltronics test chain storage reels

Test chain storage reels are used to store roller test chains. All test chain storage reels come with a geared brake motor.

43 inches (1092 mm)	44 inches (1118 mm)	45 inches (1143 mm)	46 inches (1168 mm)	47 inches (1194 mm)	48 inches (1219 mm)	49 inches (1245 mm)	50 inches (1270 mm)	51 inches (1295 mm)	52 inches (1321 mm)	53 inches (1346 mm)	54 inches (1372 mm)	55 inches (1397 mm)	56 inches (1422 mm)	57 inches (1448 mm)	58 inches (1473 mm)	59 inches (1499 mm)	60 inches (1524 mm)	61 inches (1549 mm)	62 inches (1575 mm)	63 inches (1600 mm)	64 inches (1626 mm)	65 inches (1651 mm)	66 inches (1676 mm)	67 inches (1702 mm)	68 inches (1727 mm)	69 inches (1753 mm)	70 inches (1778 mm)	71 inches (1803 mm)	72 inches (1829 mm)	73 inches (1854 mm)	74 inches (1880 mm)	75 inches (1905 mm)	76 inches (1930 mm)	77 inches (1956 mm)	78 inches (1981 mm)	79 inches (2007 mm)	80 inches (2032 mm)	81 inches (2057 mm)	82 inches (2083 mm)	83 inches (2108 mm)	84 inches (2134 mm)	85 inches (2159 mm)	86 inches (2184 mm)	87 inches (2210 mm)	88 inches (2235 mm)	89 inches (2261 mm)	90 inches (2286 mm)	91 inches (2311 mm)	92 inches (2337 mm)	93 inches (2362 mm)	94 inches (2388 mm)	95 inches (2413 mm)	96 inches (2438 mm)	97 inches (2464 mm)	98 inches (2489 mm)	99 inches (2515 mm)
---------------------	---------------------	---------------------	---------------------	---------------------	---------------------	---------------------	---------------------	---------------------	---------------------	---------------------	---------------------	---------------------	---------------------	---------------------	---------------------	---------------------	---------------------	---------------------	---------------------	---------------------	---------------------	---------------------	---------------------	---------------------	---------------------	---------------------	---------------------	---------------------	---------------------	---------------------	---------------------	---------------------	---------------------	---------------------	---------------------	---------------------	---------------------	---------------------	---------------------	---------------------	---------------------	---------------------	---------------------	---------------------	---------------------	---------------------	---------------------	---------------------	---------------------	---------------------	---------------------	---------------------	---------------------	---------------------	---------------------	---------------------

Order No.

C) 7MH7163-

AU
AV
AW
BA
BB
BC
BD
BE
BF
BG
BH
BJ
BK
BL
BM
BN
BP
BQ
BR
BS
BT
BU
BV
BW
CA
CB
CC
CD
CE
CF
CG
CH
CJ
CK
CL
CM
CN
CP
CQ
CR
CS
CT
CU
CV
CW
DA
DB
DC
DD
DE
DF
DG
DH
DJ
DK
DL
DM

Milltronics Test Chain Storage Reels

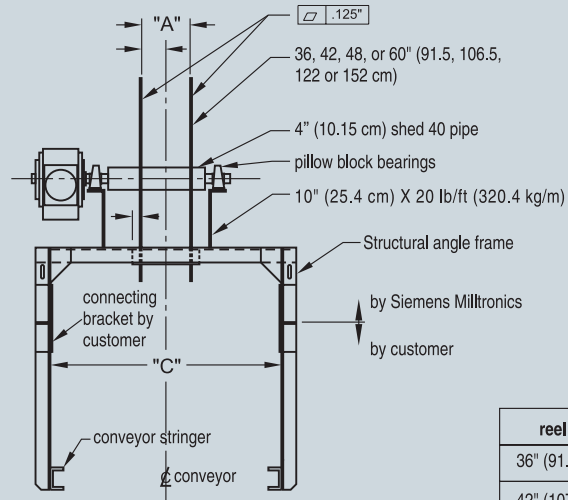
Selection and Ordering data	Order No.
Milltronics test chain storage reels	C) 7MH7163-
Test chain storage reels are used to store roller test chains. All test chain storage reels come with a geared brake motor.	
100 inches (2540 mm)	DN
101 inches (2565 mm)	DP
102 inches (2591 mm)	DQ
103 inches (2616 mm)	DR
104 inches (2642 mm)	DS
105 inches (2667 mm)	DT
3 Phase motor voltage/hertz	
230/460V 60Hz	1
200/400V 50Hz	2
575V 60Hz	3
190/380V 50Hz	4
190/380V 60Hz	5
220V 60Hz	6
415V 50Hz	7
Reel type	
Single compartment for 1 calibration test chain	0
Double compartment for 2 calibration test chains	1
Reel diameter/motor mount location	
36 inches (914 mm) / right hand access	0
42 inches (1067 mm) / right hand access	1
48 inches (1219 mm) / right hand access	2
60 inches (1372 mm) / right hand access	3
36 inches (914 mm) / left hand access	4
42 inches (1067 mm) / left hand access	5
48 inches (1219 mm) / left hand access	6
60 inches (1372 mm) / left hand access	7
Motor power	
0.75 hp (0.56 kw)	A
1 hp (0.75 kw)	B
1.5 hp (1.12 kw)	C
2 hp (1.5 kw)	D
3 hp (2.24 kw)	E
5 hp (3.73 kw)	F
7.5 hp (5.59 kw)	G
10 hp (7.5 kw)	H
15 hp (11.19 kw)	J
20 hp (14.91 kw)	K
Instruction manual	
English	C) 7ML1998-5JD01
German	C) 7ML1998-5JD31
Note: The instruction manual should be ordered as a separate item on the order.	
This device is shipped with the Siemens Milltronics manual CD containing the complete instruction manual library.	

Belt Weighing

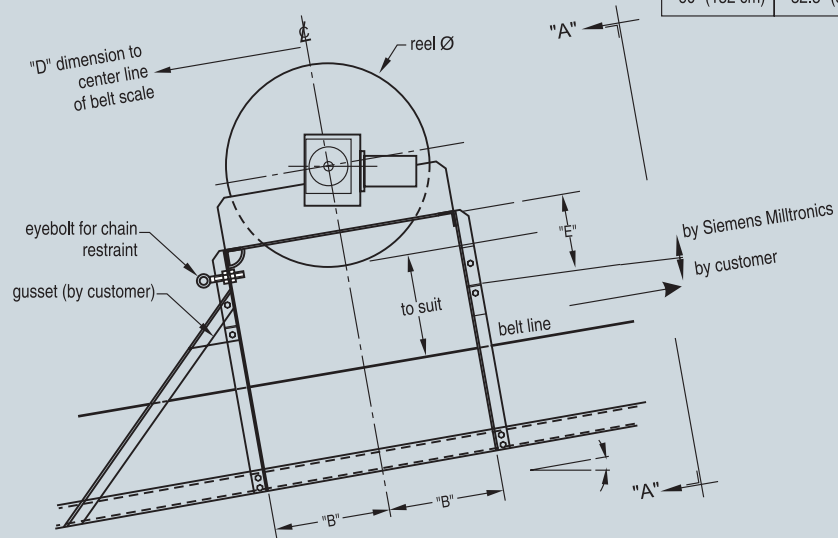
Belt Scales Accessories

Milltronics Test Chain Storage Reels

Dimensional drawings



reel Ø	B	E
36" (91.5 cm)	20.5" (52 cm)	13.25" (34 cm)
42" (107 cm)	23.5" (60 cm)	13.25" (34 cm)
48" (122 cm)	26.5" (67 cm)	13.25" (34 cm)
60" (152 cm)	32.5" (83 cm)	17.75" (45 cm)



Milltronics test chain storage reel dimension

4