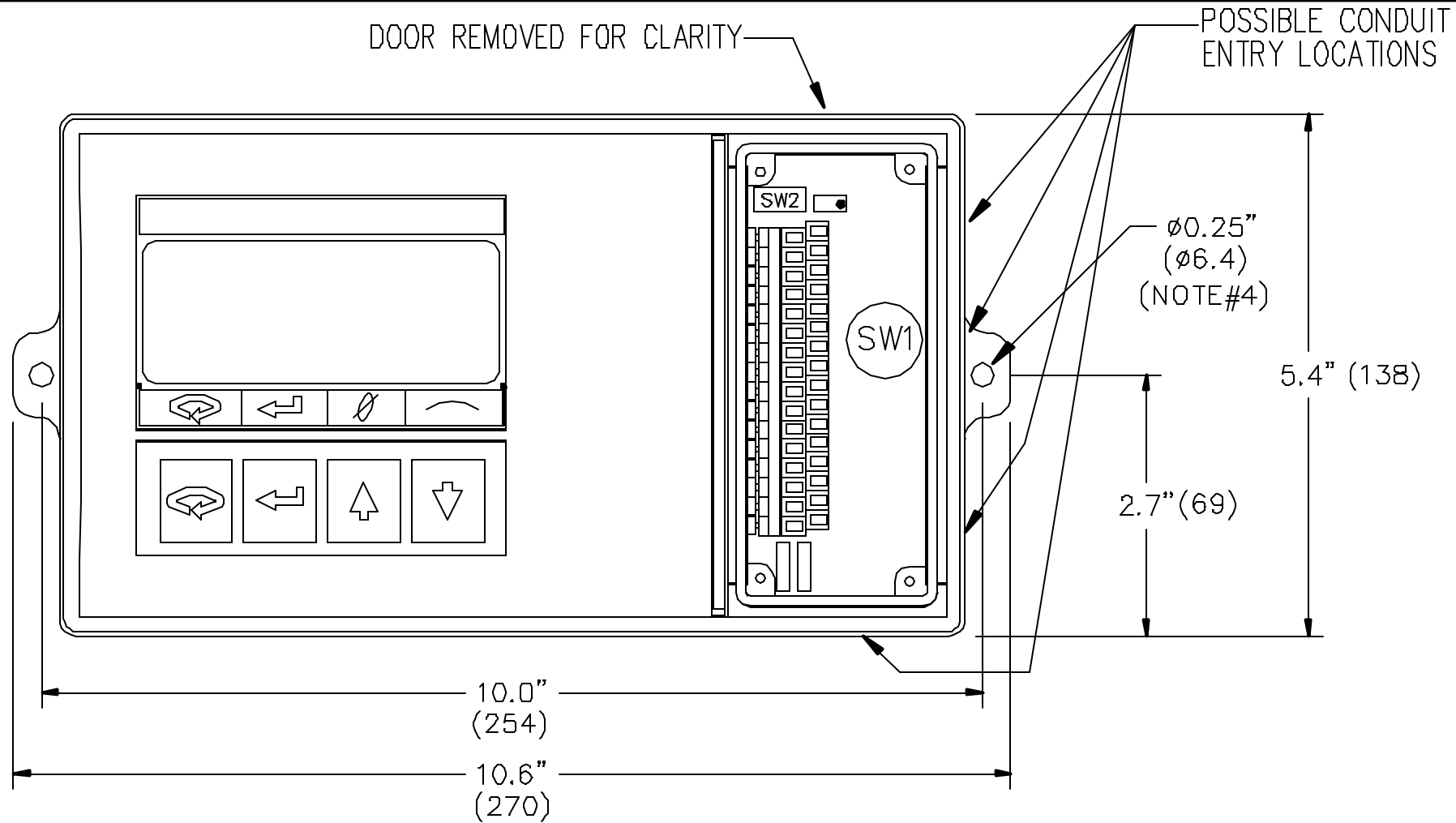
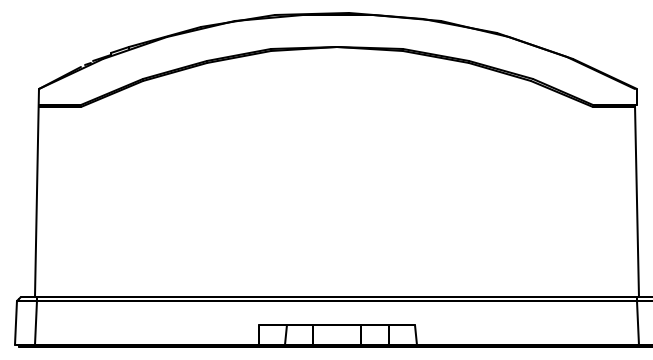
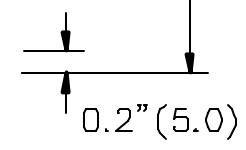
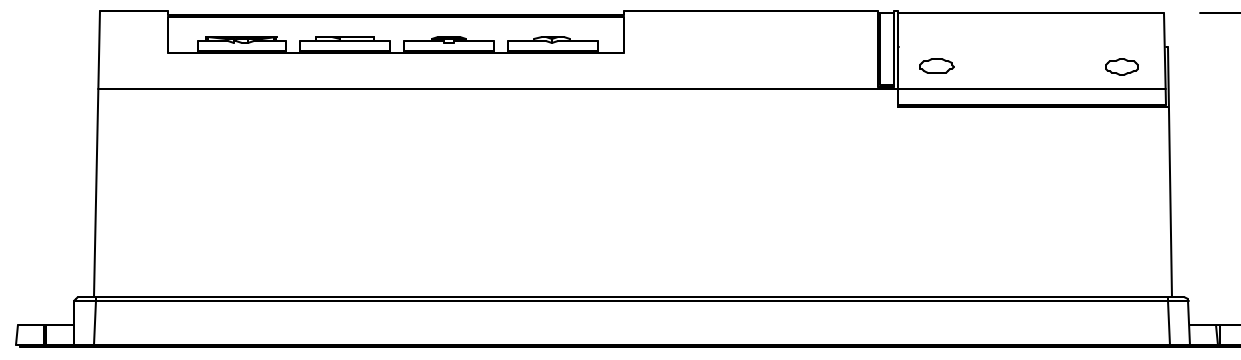


I A I B I C I D I E I F I G I H I I I J I



NOTES:

- 1) ALL DIMENSIONS ARE INCHES, () DENOTES mm.
- 2) DO NOT MOUNT IN DIRECT SUNLIGHT WITHOUT THE USE OF A SUNSHIELD, (PROVIDED BY CUSTOMER).
- 3) AMBIENT TEMPERATURE RANGE -20°C TO 50°C (-5°F TO 120°F)
- 4) MOUNT USING SUITABLE SCREWS OR BOLTS IN AN INDOOR LOCATION.
- 5) DO NOT MOUNT NEAR HIGH VOLTAGE, CABLE RUNS, CONTACTORS, SCR CONTROL DEVICES AND RF GENERATING EQUIPMENT.
- 6) IT IS RECOMMENDED TO DRILL ENCLOSURE WITH A HOLE SAW AND USE SUITABLE CABLE GLANDS TO PREVENT MOISTURE INGRESS.
- 7) FOR FURTHER DETAILS AND EXPLANATION, PLEASE REFER TO THE INSTRUCTION MANUAL.



USE DIMENSIONS ONLY - DO NOT SCALE		2	ACCUMASS REBRANDED TO MILLTRONICS REPLACES DRAWING 0-73400087-DU-B	JLC	RDC	JULY 24/03
DIMENSIONS ARE IN INCHES		Rev.	Revision / ECN Description	Drawn	Appr.	Date
Third Angle Projection 	Product Group	MASS DYNAMICS		Tolerance Unless Otherwise Noted:	U05	Scale:
	Date:	20/01/98		1 Place Decimal ±0.05	Angles: ±0.5°	NONE
FOR INTERNAL USE ONLY	Drawn:	B. GRAY		2 Place Decimal ±0.01		Size:
	Checked:	R. CLOSS		3 Place Decimal ±0.002		B
	Approved:	M. HAMPTON		TITLE:		
	Location:	PETERBOROUGH		MILLTRONICS BW100 ENCLOSURE OUTLINE DIAGRAM		
		SIEMENS MILLTRONICS PROCESS INSTRUMENTS INC. Peterborough, Ontario, Canada		DRAWING No:		Rev.
	File No.	2365043902	Pkt. at:	1:1	Sheet	1 of 1

1
2
3
4
5
6
7
8
9
10