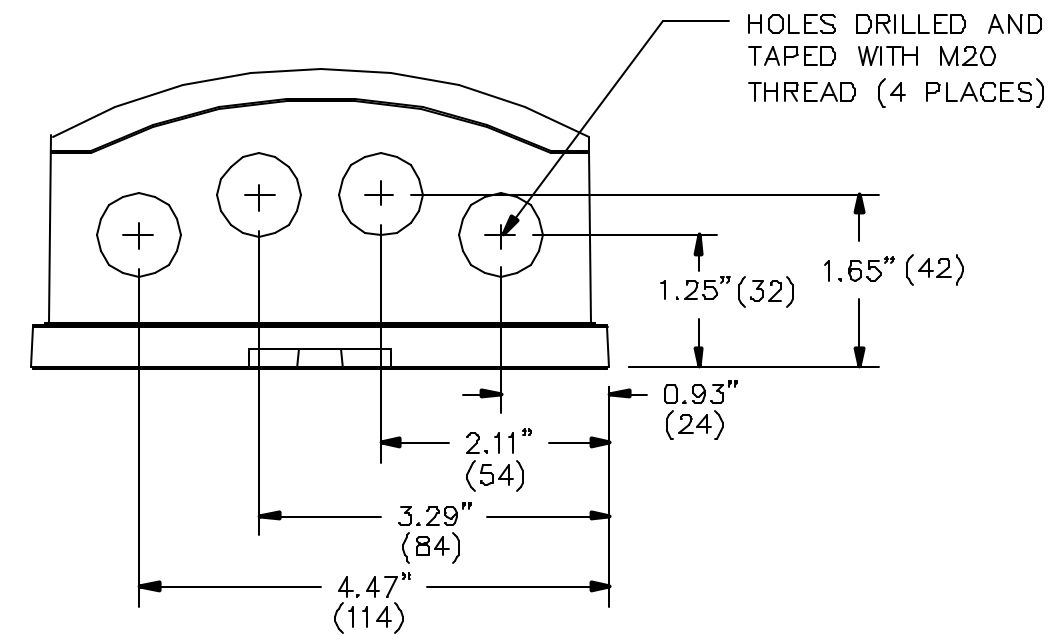
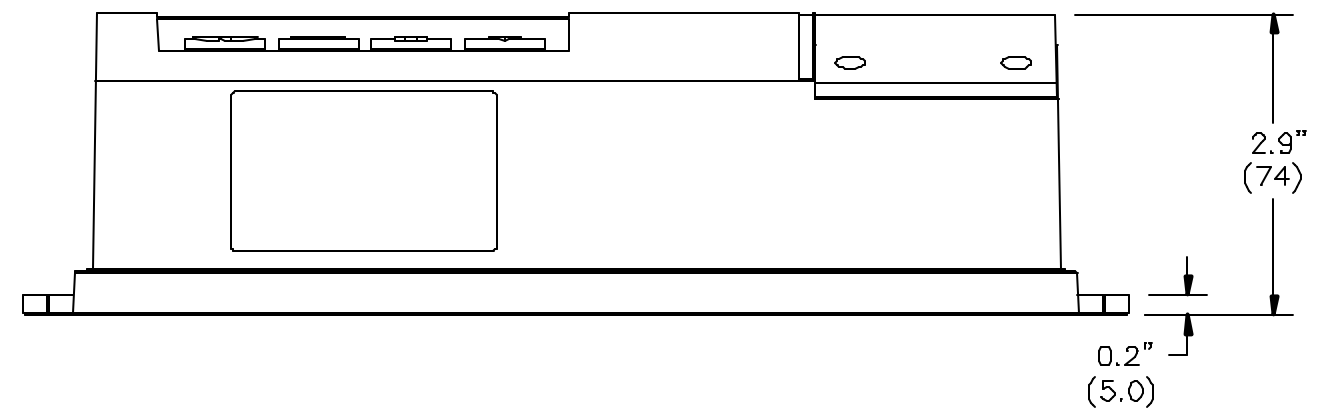
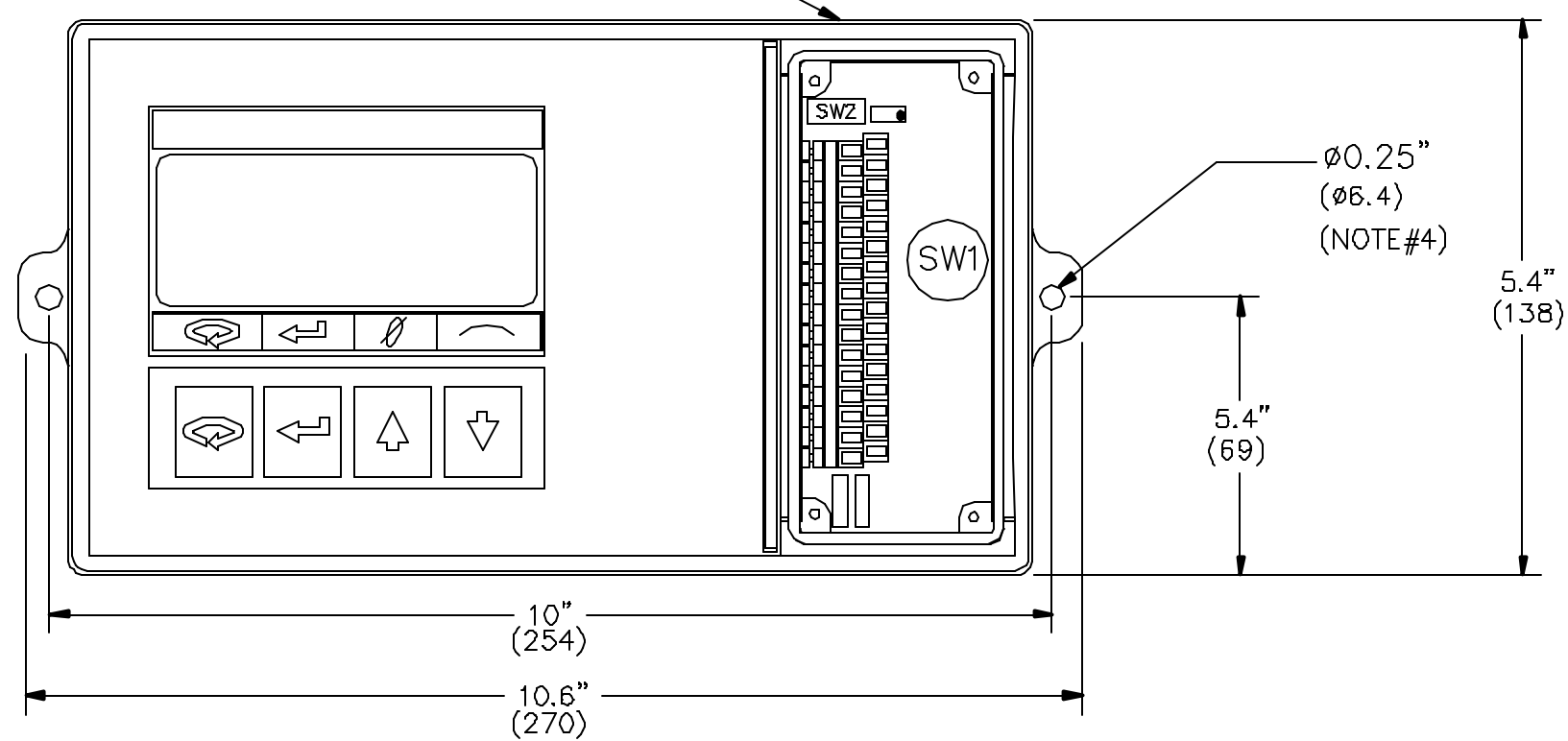


A | B | C | D | E | F | G | H | I | J

DOOR REMOVED FOR CLARITY



**NOTES:**

- 1) ALL DIMENSIONS ARE INCHES, ( ) DENOTES mm.
- 2) DO NOT MOUNT IN DIRECT SUNLIGHT WITHOUT THE USE OF A SUNSHIELD, (PROVIDED BY CUSTOMER).
- 3) AMBIENT TEMPERATURE RANGE -20°C TO 50°C (-5°F TO 120°F)
- 4) MOUNT USING SUITABLE SCREWS OR BOLTS IN AN INDOOR LOCATION.
- 5) DO NOT MOUNT NEAR HIGH VOLTAGE, CABLE RUNS, CONTACTORS, SCR CONTROL DEVICES AND RF GENERATING EQUIPMENT.
- 6) THE USE OF SUITABLE CABLE GLANDS IS RECOMMENDED TO PREVENT MOISTURE INGRESS.
- 7) FOR FURTHER DETAILS AND EXPLANATION, PLEASE REFER TO THE INSTRUCTION MANUAL.

USE DIMENSIONS ONLY - DO NOT SCALE		1	ACCUMASS REBRANDED TO MILLTRONICS REPLACES DRAWING 0-73400172-DU-B	JLC	RDC	JULY 24/03
DIMENSIONS ARE IN INCHES		Rev.	Revision / ECN Description	Drawn	Appr.	Date
Third Angle Projection 	Product Group	MASS DYNAMICS		Tolerance Unless Otherwise Noted:	UOS	Scale:
	Date:	10/09/98		1 Place Decimal ±0.05	Angles: ±0.5°	NONE
FOR INTERNAL USE ONLY	Drawn:	R. CLYSDALE		2 Place Decimal ±0.01		Size:
	Checked:	R. CLOSS		3 Place Decimal ±0.002		B
	Approved:	P. RICCI		TITLE:		
	Location:	PETERBOROUGH		MILLTRONICS BW100 ENCLOSURE WITH M20 CONDUIT HOLES OUTLINE DIAGRAM		
	SIEMENS MILLTRONICS PROCESS INSTRUMENTS INC. Peterborough, Ontario, Canada		DRAWING No:		23650443	
	File No.	2365044301		Pkt at:	1:1	
				Sheet	1 of 1	