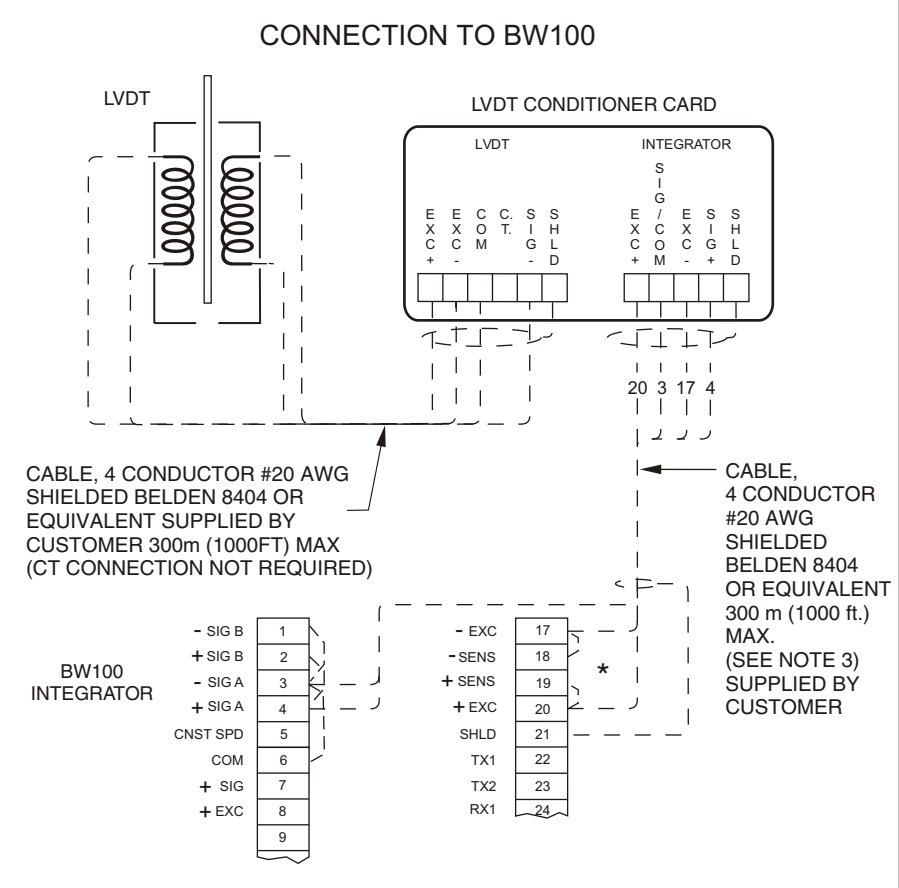
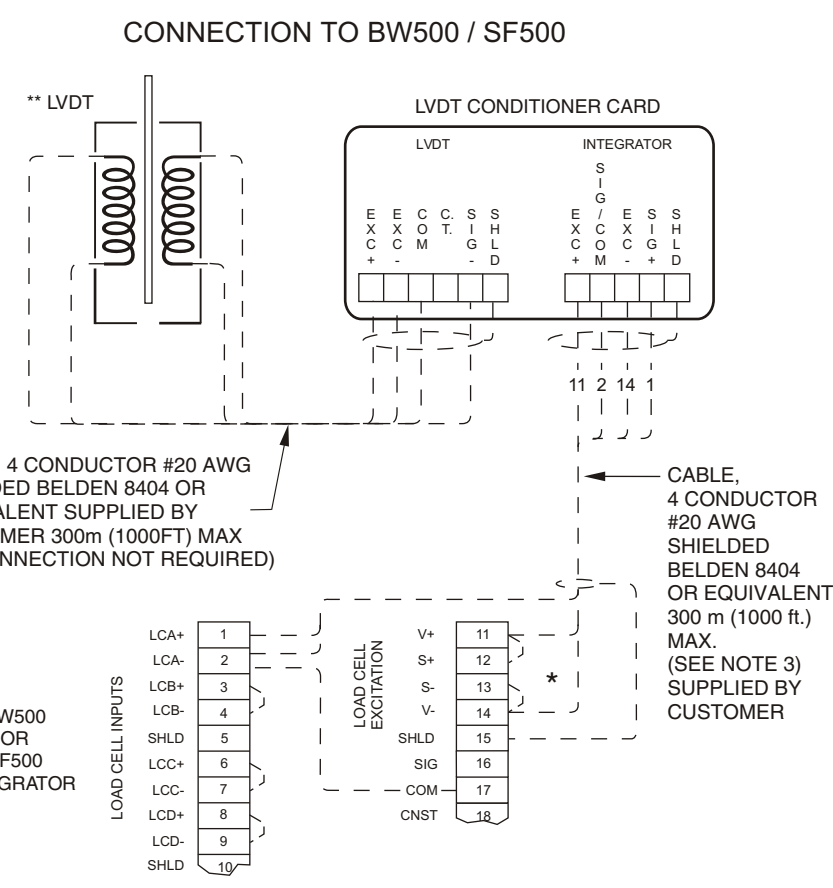


! SEE INSTRUCTION MANUAL FOR PROPER OPERATION



CABLE, 4 CONDUCTOR #20 AWG SHIELDED BELDEN 8404 OR EQUIVALENT SUPPLIED BY CUSTOMER 300m (1000FT) MAX (CT CONNECTION NOT REQUIRED)

CABLE, 4 CONDUCTOR #20 AWG SHIELDED BELDEN 8404 OR EQUIVALENT 300 m (1000 ft.) MAX. (SEE NOTE 3) SUPPLIED BY CUSTOMER

CABLE, 4 CONDUCTOR #20 AWG SHIELDED BELDEN 8404 OR EQUIVALENT SUPPLIED BY CUSTOMER 300m (1000FT) MAX (CT CONNECTION NOT REQUIRED)

CABLE, 4 CONDUCTOR #20 AWG SHIELDED BELDEN 8404 OR EQUIVALENT 300 m (1000 ft.) MAX. (SEE NOTE 3) SUPPLIED BY CUSTOMER

COLOUR CODING FOR SOLIDS FLOWMETER SF500

	STANDARD	EX. PROOF
EXC +	RED	RED
EXC -	BLUE	ORANGE
COM	YELLOW	WHITE
C. T.	BLACK	BLACK
SIG -	GREEN	GREEN

FOR LEFT HANDED FLOWMETERS REVERSE COM & SIG - CONNECTIONS

NOTES

- 1) ALL DIMENSIONS ARE IN mm () DENOTES DIMENSION IN INCHES.
- 2) - - - DENOTES WIRING BY CUSTOMER
- 3) * WHERE SEPARATION BETWEEN THE INTEGRATOR AND LVDT CONDITIONER EXCEEDS 150m (500ft) USE 6 CONDUCTOR 20 AWG, SHIELDED BELDEN 9260 OR EQUIVALENT:
 - REMOVE THE JUMPERS ON THE BW500/ SF500 TERMINALS 11/12 AND 13/14, OR 17/18 AND 19/20 ON THE BW100
 - RUN ADDITIONAL CONDUCTORS FROM: BW500/ SF500 TERMINAL 12, OR BW100 TERMINAL 19, TO THE CONDITIONER TERMINAL BLOCK MARKED ' INTEGRATOR +EXC ' BW500/ SF500 TERMINAL 13, OR BW100 TERMINAL 18, TO THE CONDITIONER TERMINAL BLOCK MARKED ' INTEGRATOR - EXC '
- 4) SHIELDS ARE COMMON, BUT NOT GROUNDED TO CHASSIS. RUN CABLE SHIELDS THROUGH SHLD TERMINALS AND GROUND AT INTEGRATOR ONLY.
- 5) FOR CONDUIT CONNECTIONS, THE USE OF A HOLE PUNCH AND SUITABLE CABLE GLANDS TO MAINTAIN INGRESS PROTECTION IS RECOMMENDED. REMOVE THE LVDT CONDITIONER CARD BEFORE MAKING HOLES.
- 6) FOR FURTHER INFORMATION REFER TO THE LVDT CONDITIONER CARD INSTRUCTION MANUAL OR CONTACT YOUR SIEMENS MILLTRONICS REPRESENTATIVE.

1	ADD MAXIMUM CABLE LENGTH PER ECN 2004-0095	RPC	PTR	APRIL 30/04
0	FOR CONSTRUCTION	RPC	PTR	SEPT 10/02
Rev.	Revision / ECN Description	Drawn	Appr.	Date
Product Group: MASS DYNAMICS		Tolerance Unless Otherwise Noted: UOS		Scale: NTS
Date: 10 / SEPT / 02		1 Place Decimal ± 0.03		Size: B
Drawn: R. CLYSDALE		Angles: ± 0.5°		
Checked: R. CLOSS		TITLE: LVDT CONDITIONER CARD CUSTOMER OUTLINE & WIRING DRAWING		
Approved: P. RICCI		DRAWING No: 23650364		
Location: PETERBOROUGH		Rev. 1		
SIEMENS MILLTRONICS PROCESS INSTRUMENTS INC. Peterborough, Ontario, Canada		DRAWING No: 23650364		
File No. 2365036401		Plot at: 1 : 1		Sheet 1 Of 1

For Public Release

1
2
3
4
5
6
7
8
9
10