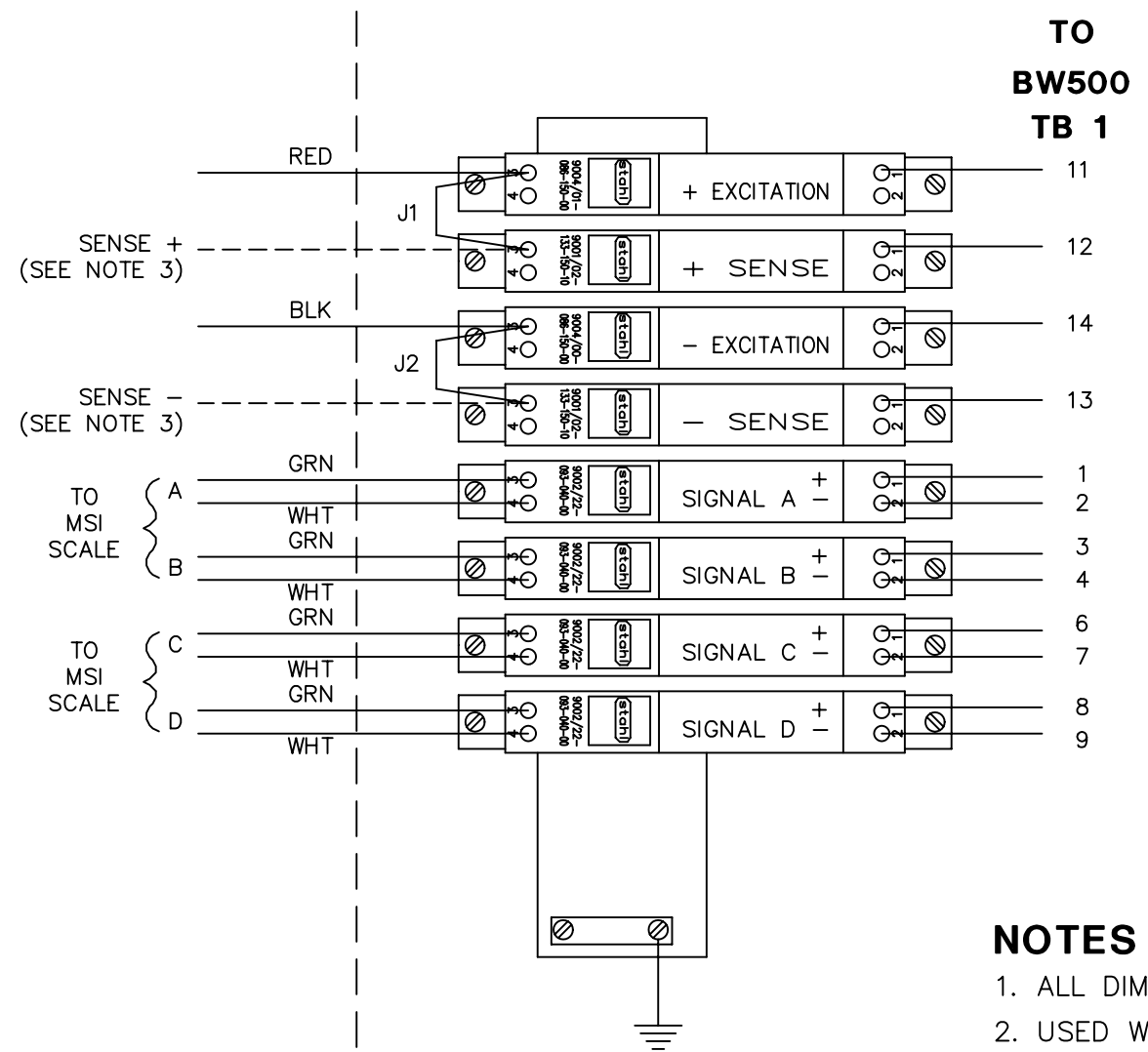
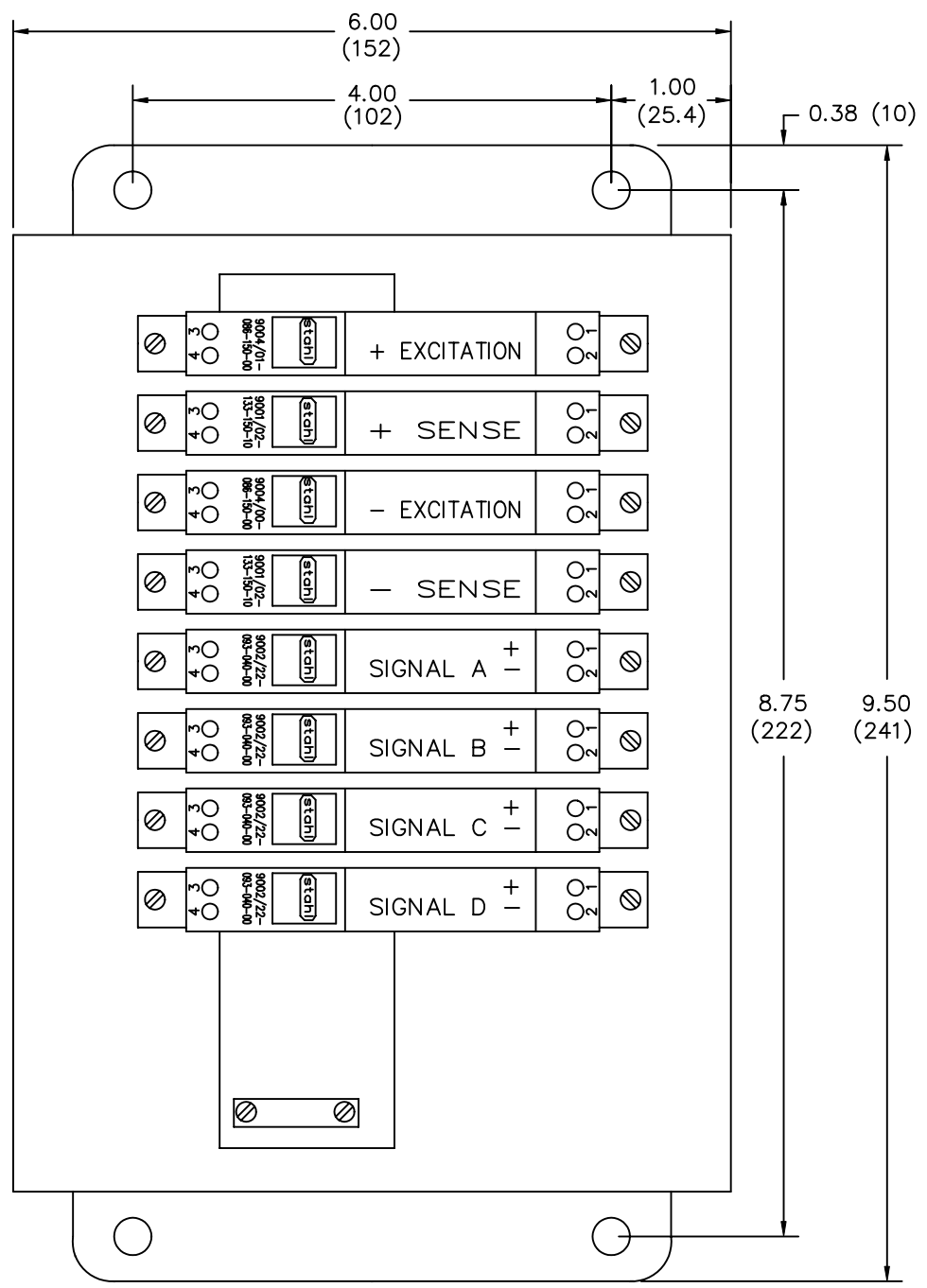


I A I B I C I D I E I F I G I H I I J I



USE	BARRIER ID. #
+ EXCITATION	9004/01-086-150-00
+ SENSE	9001/02-133-150-10
- EXCITATION	9004/00-086-150-00
- SENSE	9001/02-133-150-10
SIGNAL A ±	9002/22-093-040-00
SIGNAL B ±	9002/22-093-040-00
SIGNAL C ±	9002/22-093-040-00
SIGNAL D ±	9002/22-093-040-00

HAZARDOUS AREA

SAFE AREA

NOTES

- ALL DIMENSIONS ARE INCHES () DENOTES mm.
- USED WITH ACCUMASS BW500.
- FOR CABLE RUNS OVER 500 FT. JUMPERS J1 & J2 MUST BE REMOVED AND ADDITIONAL CONDUCTORS SUPPLIED.

3	REMOVE CONFIDENTIAL NOTICE PER ECN 2004-0001	RPC	PTR	FEB 23/2004
2	CHANGE DRAWING TITLE PER ECN 2002-0147	RPC	PTR	JUNE 18/02
1	CHANGE + & - EXCITATION STAHL NUMBERS PER ECN 01-BW5-0-0008	RPC	PTR	OCT 24/01

USE DIMENSIONS ONLY - DO NOT SCALE

DIMENSIONS ARE IN INCHES

Rev. Revision / ECN Description Drawn Appr. Date

Third Angle Projection

Product Group: MASS DYNAMICS

Date: 19 FEB 99

Drawn: R. CLYSDALE

Checked: P. RICCI

Approved: R. CLOSS

Location: PETERBOROUGH

SIEMENS MILLTRONICS PROCESS INSTRUMENTS INC. Peterborough, Ontario, Canada

File No. 2365028603

Tolerance Unless Otherwise Noted: U0S

1 Place Decimal ± 0.03

2 Place Decimal ± 0.01

3 Place Decimal ± 0.002

Angles: ± 0.5°

Scale: NTS

Size: B

TITLE: STAHL BARRIER PKG., 4 LOAD CELLS & INTEGRATOR INTERCONNECTION DIAGRAM

DRAWING No: 23650286

Rev. 3

Plot at: 1=1

Sheet 1 Of 1

For Public Release

1
2
3
4
5
6
7
8
9
10