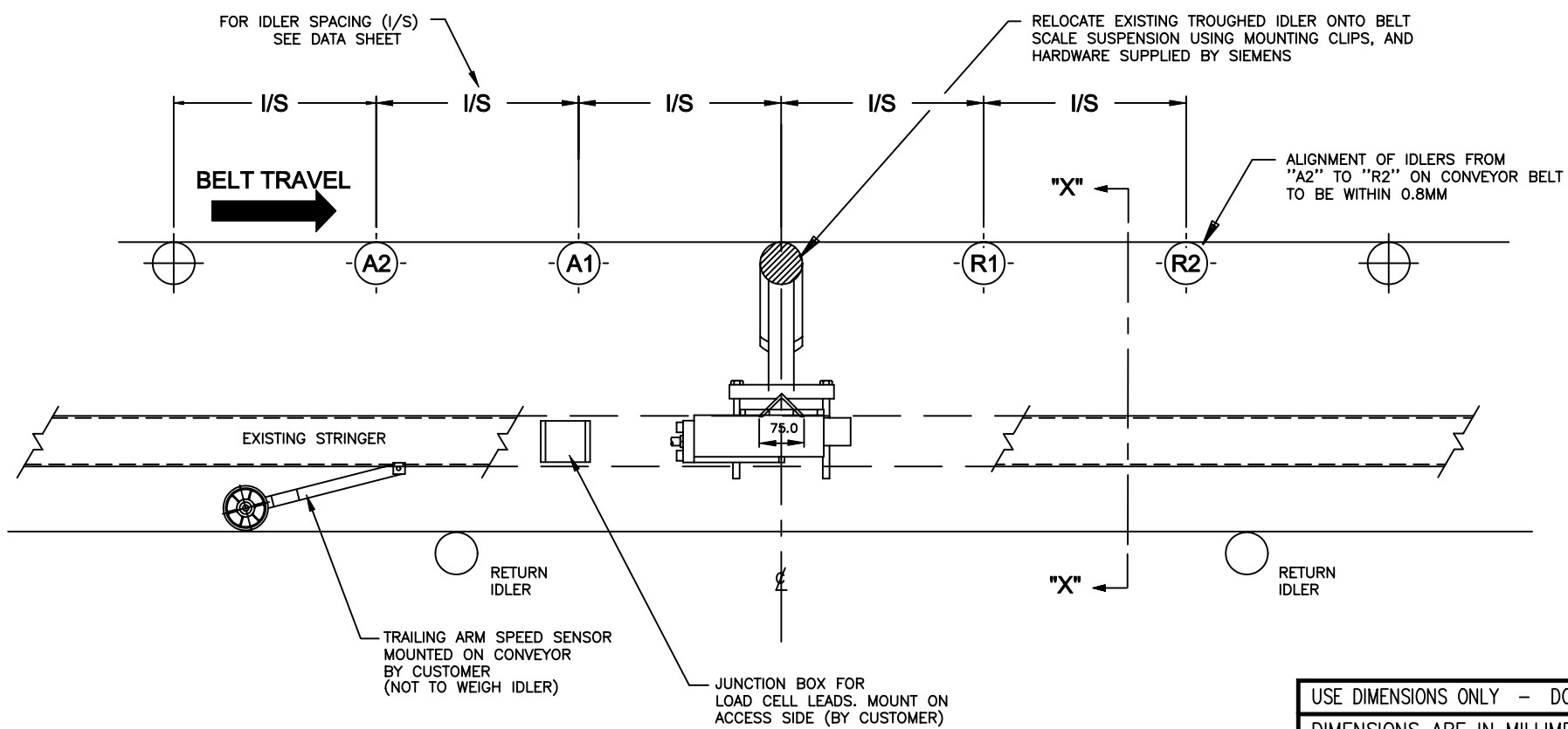


NOTES:

- 1) SIEMENS MILLTRONICS MCS BELT SCALE INCLUDES 2 LOADCELL ASSEMBLIES. DURING INSTALLATION AVOID EXERTING ANY FORCE TO THE LOADCELLS, OR DAMAGE COULD RESULT.
- 2) SUSPENSION AND CONVEYOR SHOULD BE SHELTERED FROM STORM OR DIRECT WIND PRESSURE FOR A MINIMUM DISTANCE OF 9 M (30 FT) BEYOND "A1+"R1" IDLER POSITIONS. GUIDE IDLERS MUST NOT BE USED WITHIN 5 M (16 FT) BEYOND "A1+"R1" IDLER POSITIONS.
- 3) CONVEYOR BELT MUST NOT TOUCH ANY PART OF BELT SCALE SUSPENSION. DECKING, IF ANY, MUST BE REMOVED FROM MID-POINT BETWEEN APPROACH "A1" AND "A2" IDLERS TO MIDPOINT BETWEEN RETREAT "R1" AND "R2" IDLERS.
- 4) THE USE OF WING TYPE SELF CLEANING PULLEYS ON BELT SCALE CONVEYORS IS NOT RECOMMENDED.
- 5) REFER TO THE MCS INSTRUCTION MANUAL FOR INSTALLATION AND ALIGNMENT INSTRUCTIONS OR CONTACT YOUR SIEMENS MILLTRONICS REPRESENTATIVE.
- 6) THE RECOMMENDED LOCATION FOR MOUNTING THE OPTIONAL TRAILING ARM SPEED SENSOR IS AS NEAR TO THE RETURN IDLER AS POSSIBLE, AT AN ANGLE FROM HORIZONTAL OF NO MORE THAN 45°.
- 7) ALL DIMENSIONS ARE IN MILLIMETRES. UNLESS OTHERWISE STATED.



1	UPGRADE BORDER PER ECN 2004-0024	RPC	PTR	FEB 24/04	
0	FOR RELEASE	RPC	RDC	APRIL 30/03	
Rev.	Revision / ECN Description	Drawn	Appr.	Date	
Third Angle Projection 		Product Group MASS DYNAMICS	Tolerance Unless Otherwise Noted: UOS 1 Place Decimal ± 0.8 2 Place Decimal ± 0.3 3 Place Decimal ± 0.10	Scale: NTS	Size: B
Date: 30 APRIL 03 Drawn: R. CLYSDALE Checked: P. RICCI Approved: R. CLOSS Location: PETERBOROUGH		TITLE: MCS BELT SCALE INSTALLATION DRAWING WITH OPTIONAL TASS			
SIEMENS MILLTRONICS PROCESS INSTRUMENTS INC. Peterborough, Ontario, Canada		DRAWING No: 23650406	Rev. 1		
File No.	2365040601	Plot at:	1=1	Sheet 1 Of 1	

For Public Release