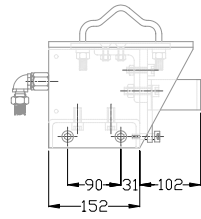
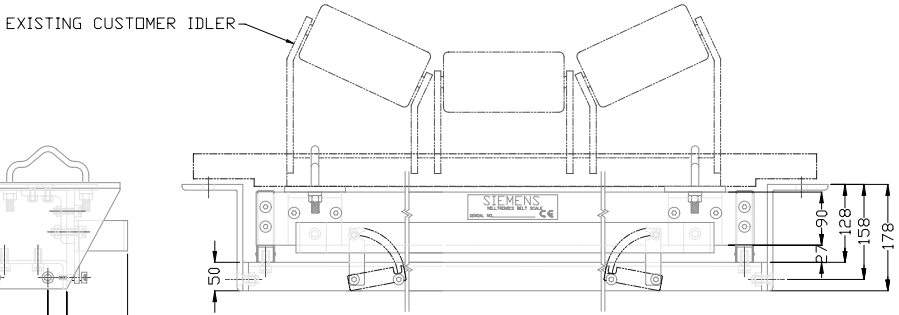


SYSTEM SPECIFICATION	
MSI PART No:	7MH7122-1ABXX-XA
SERIAL No:	XXXXXXX
LOAD CELL CAPACITY:	XXXXXXX
CAL WEIGHT PART No:	7MH77241XX QTY. X
ENGINEERED BY:	XXXXXXX

BELT WIDTH	A	B	STATIC BEAM	SPACER BLOCKS	C	D	E	F
19'	711	617	18'	2 X 0.5'	495	393	330	200



00	REV_DES_0
No	DESCRIPTION

CONFIDENTIAL
IMPORTANT NOTICE

THIS DOCUMENT REMAINS THE PROPERTY OF SIEMENS AND IS SUBJECT TO RECALL. IT MAY NOT BE COPIED, AND IS ISSUED AND CAN BE UTILIZED ONLY FOR SUCH LIMITED PURPOSES AS MAY SPECIFICALLY HAVE BEEN AUTHORIZED BY SIEMENS. IT IS TO BE MAINTAINED CONFIDENTIAL, SINCE IT MAY CONTAIN PROPRIETARY INFORMATION AND TRADE SECRETS OF SIEMENS OR OTHERS. THE ITEMS DEPICTED MAY THEMSELVES BE THE SUBJECT OF PATENTS, INDUSTRIAL DESIGN REGISTRATIONS OR COPYRIGHTS OF SIEMENS OR OTHERS, AND THE ISSUE OF THIS DRAWING DOES NOT IMPLY ANY LICENSE UNDER ANY SUCH RIGHTS. COPYRIGHT SIEMENS ALL RIGHTS RESERVED

SCALE:	N.T.S.	DATE		ALL DIMENSIONS IN MM UNLESS OTHERWISE NOTED	THIRD ANGLE
DRAWN:	X.X.X.	XX/XX/XX		TOLERANCES UNLESS OTHERWISE NOTED	
CHECKED:	X.X.X.	XX/XX/XX		0-300 = ±0.30 300 + = ±0.75	
APPROVED:	X.X.X.	XX/XX/XX		TITLE	
				MSI BELT SCALE 19" BELT WIDTH	
				CUSTOMER APPROVAL DRAWING	
				CLIENT = XXXXXXXX	

REVISIONS		
SIEMENS		
FILE #	XXXXXXXXX	DRAWING NUMBER
JOB No. --	XXXXXXXXXXXXXXXXXXXX	00
		SHEET 1 OF 1