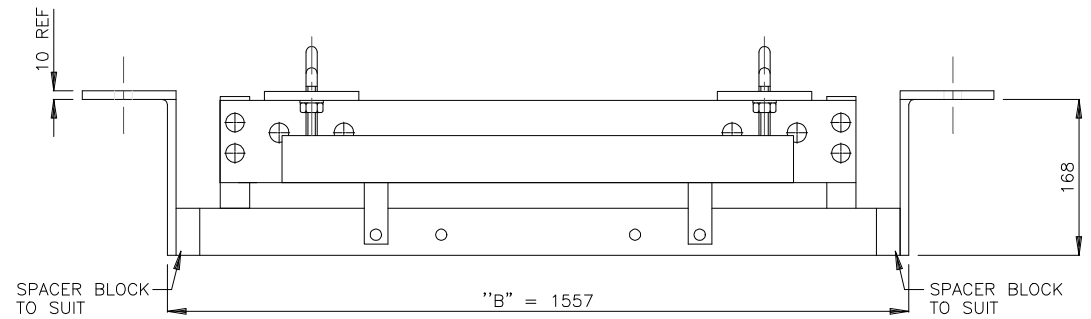
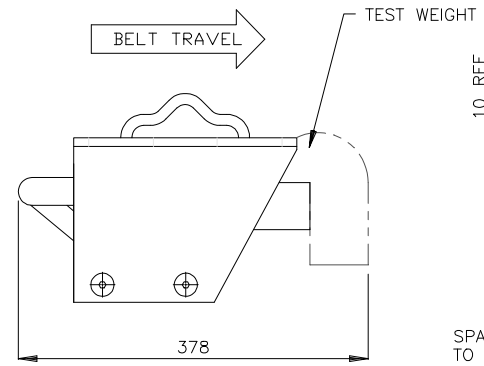
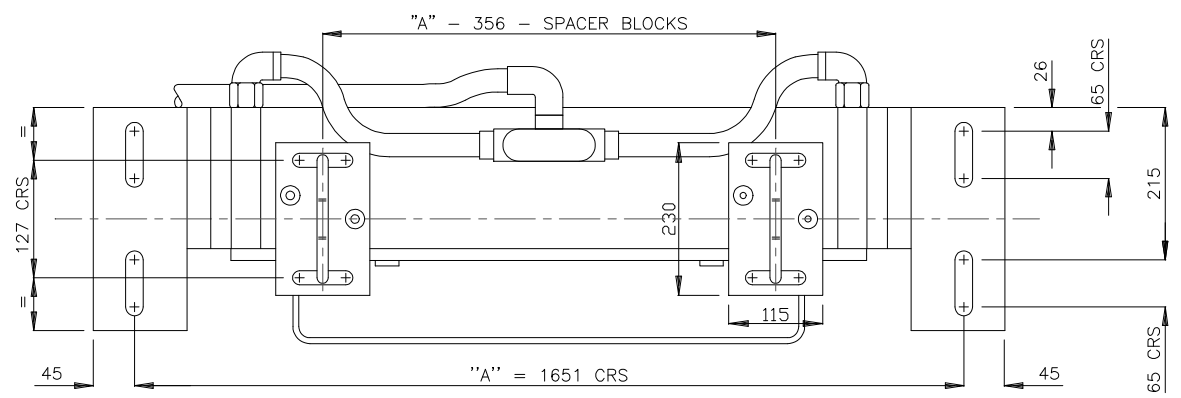


A I B I C I D I E I F I G I H I I I J I

CUSTOMER ORDER INFORMATION					
M.S.I. SERIAL No :					
CONVEYOR No :					
PURCHASE ORDER No :					
CONVEYOR IDLER SPACING "I/S" :					
M.S.I. DIMENSIONS					
BELT WIDTH		"A"		"B"	
INCH	MM	INCH	MM	INCH	MM



02	ORDER_INFO_TABLE_ADDED	12:07:01
01	SPACER BLOCKS ADDED	08/06/04
00	FIRST ISSUE	-----
No	DESCRIPTION	ECN No

CONFIDENTIAL
IMPORTANT NOTICE

THIS DOCUMENT REMAINS THE PROPERTY OF MILLTRONICS AND IS SUBJECT TO RECALL. IT MAY NOT BE COPIED, AND IS ISSUED AND CAN BE UTILISED ONLY FOR SUCH LIMITED PURPOSES AS MAY SPECIFICALLY HAVE BEEN AUTHORISED BY MILLTRONICS. IT IS TO BE MAINTAINED CONFIDENTIAL, SINCE IT MAY CONTAIN PROPRIETARY INFORMATION AND TRADE SECRETS OF MILLTRONICS OR OTHERS. THE ITEMS DEPICTED MAY THEMSELVES BE THE SUBJECT OF PATENTS, INDUSTRIAL DESIGN REGISTRATIONS OR COPYRIGHTS OF MILLTRONICS OR OTHERS, AND THE ISSUE OF THIS DRAWING DOES NOT IMPLY ANY LICENSE UNDER SUCH RIGHTS.

COPYRIGHT MILLTRONICS
ANY RIGHTS RESERVED

SCALE:	N.T.S.	DATE	14:08:01
DRAWN :	B.J.G.		
CHECKED :			
APPROVED :			

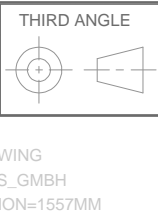
ALL DIMENSIONS IN MM UNLESS OTHERWISE NOTED
TOLERANCES UNLESS OTHERWISE NOTED


0-300 = ±0.30
300+ = ±0.75

ANGLE = ±0.5°

TITLE:

MSI_BELT_SCALE_G.A._DRAWING
CLIENT=SIEMENS_MILLTRONICS_GMBH
'A'_DIMENSION=1651MM_'B'_DIMENSION=1557MM



REVISIONS		REV_DES_0
 WORCESTER, ENGLAND		
FILE #:	30145700	DRAWING NUMBER :
JOB NUMBER :		3-7900361Z-LG-B
		SHEET 1 OF 1
		REV : 00