

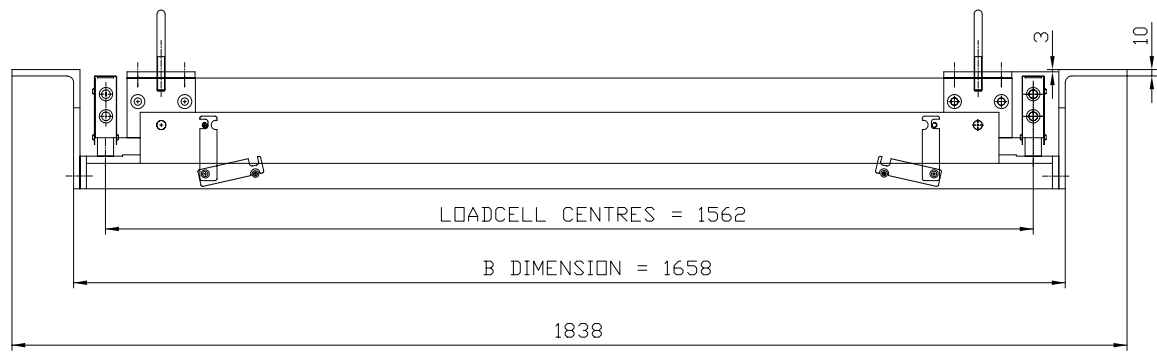
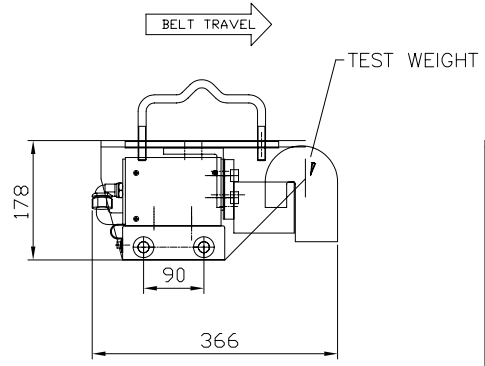
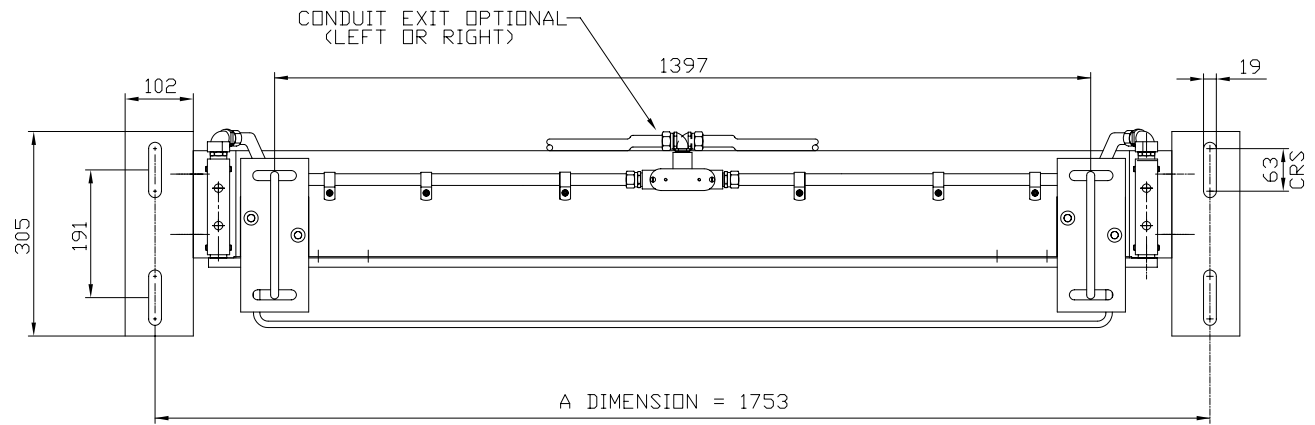
I A I B I C I D I E I F I G I H I I I I J I

ORDER INFORMATION

CUSTOMER: _____
 YOUR REF.: _____
 OUR REF.: _____
 DATE: _____

SYSTEM SPECIFICATION

MSI PART No. 7MH7122-1CAXX-XX
 SERIAL No. _____
 LOAD CELL CAPACITY. _____
 CAL WEIGHT PART No. _____ QTY. _____
 ENGINEERED BY. _____



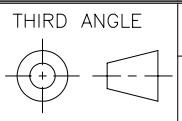
00	FIRST ISSUE	REV_DES_0
No	DESCRIPTION	

CONFIDENTIAL
 IMPORTANT NOTICE

THIS DOCUMENT REMAINS THE PROPERTY OF SIEMENS AND IS SUBJECT TO RECALL. IT MAY NOT BE COPIED, AND IS ISSUED AND CAN BE UTILIZED ONLY FOR SUCH LIMITED PURPOSES AS MAY SPECIFICALLY HAVE BEEN AUTHORIZED BY SIEMENS. IT IS TO BE MAINTAINED CONFIDENTIAL, SINCE IT MAY CONTAIN PROPRIETARY INFORMATION AND TRADE SECRETS OF SIEMENS OR OTHERS. THE ITEMS DEPICTED MAY THEMSELVES BE THE SUBJECT OF PATENTS, INDUSTRIAL DESIGN REGISTRATIONS OR COPYRIGHTS OF SIEMENS OR OTHERS, AND THE ISSUE OF THIS DRAWING DOES NOT IMPLY ANY LICENSE UNDER ANY SUCH RIGHTS. COPYRIGHT SIEMENS ALL RIGHTS RESERVED

SCALE:	1:0.125	DATE	
DRAWN:	B.J.G.		
CHECKED:			
APPROVED:			

ALL DIMENSIONS IN MM UNLESS OTHERWISE NOTED
 TOLERANCES UNLESS OTHERWISE NOTED
 0-300 = ±0.30 ANGLE= ±0.5°
 300 + = ±0.75



TITLE

69" MSI BELT SCALE
 CUSTOMER APPROVAL DRAWING

REVISIONS		
SIEMENS		
FILE #	DRAWING NUMBER	REV
JOB No. --	SHEET 1 OF 1	00