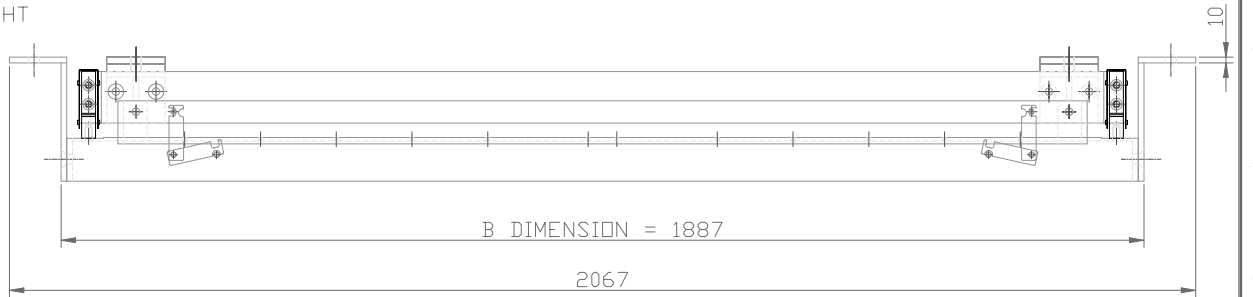
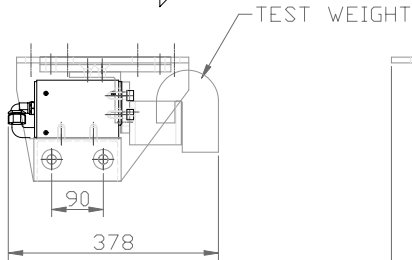
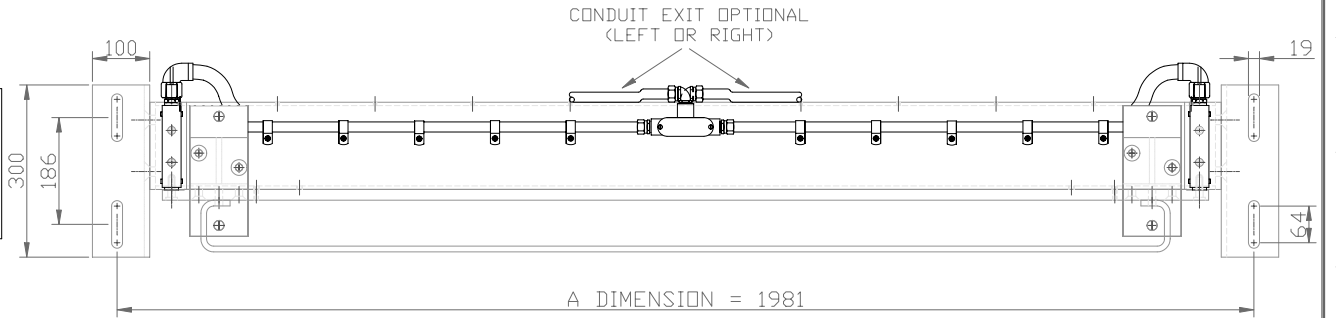


A I B I C I D I E I F I G I H I I I J I

ORDER INFORMATION	
CUSTOMER	SP ERLANGEN
YOUR REF.	T.B.C.
OUR REF.	T.B.C.
DATE	26/02/2004

SYSTEM SPECIFICATION	
MSI PART No.	7MH7122-ICK41-1A
SERIAL No.	T.B.C.
LOAD CELL CAPACITY	500LB
CAL WEIGHT PART No.	7MH7724-1AA
ENGINEERED BY.	N.A.



**SUBMITTED FOR APPROVAL**  
 PLEASE SIGN AND RETURN ONE COPY TO SIEMENS.  
 THE QUOTED DELIVERY TIME IS BASED ON THE DATE THAT THIS APPROVED DRAWING IS RECEIVED BY SIEMENS.  
 \* IF THIS DRAWING IS NOT APPROVED WITHIN 24 HOURS \* THE ORDER WILL BE PROCESSED.  
 APPROVED     APPROVED AS NOTED     REVISE AND RESUBMIT  
 BY: \_\_\_\_\_ DATE: \_\_\_\_\_

00	FIRST ISSUE	REV_DES_0
No	DESCRIPTION	

**CONFIDENTIAL**  
 IMPORTANT NOTICE  
 THIS DOCUMENT REMAINS THE PROPERTY OF SIEMENS AND IS SUBJECT TO RECALL. IT MAY NOT BE COPIED, AND IS ISSUED AND CAN BE UTILIZED ONLY FOR SUCH LIMITED PURPOSES AS MAY SPECIFICALLY HAVE BEEN AUTHORIZED BY SIEMENS. IT IS TO BE MAINTAINED CONFIDENTIAL, SINCE IT MAY CONTAIN PROPRIETARY INFORMATION AND TRADE SECRETS OF SIEMENS OR OTHERS. THE ITEMS DEPICTED MAY THEMSELVES BE THE SUBJECT OF PATENTS, INDUSTRIAL DESIGN REGISTRATIONS OR COPYRIGHTS OF SIEMENS OR OTHERS, AND THE ISSUE OF THIS DRAWING DOES NOT IMPLY ANY LICENSE UNDER ANY SUCH RIGHTS.  
 COPYRIGHT SIEMENS  
 ALL RIGHTS RESERVED

SCALE: 1:0.125	DATE	ALL DIMENSIONS IN MM UNLESS OTHERWISE NOTED TOLERANCES UNLESS OTHERWISE NOTED 0-300 = ±0.30    ANGLE= ±0.5° 300 + = ±0.75	THIRD ANGLE 
DRAWN: B.J.G.	26/02/04	TITLE 78" MSI BELT SCALE CUSTOMER APPROVAL DRAWING CLIENT = SP ERLANGEN	
CHECKED:			
APPROVED:			

REVISIONS		
<b>SIEMENS</b>		
FILE # 30222100	DRAWING NUMBER	REV
JOB No. --	3-7901032Z-DD-B	00
	SHEET 1 OF 1	