

A I B I C I D I E I F I G I H I I I J I

SYSTEM SPECIFICATION

MSI PART No.

SERIAL No's.

LOAD CELL CAPACITY.

CAL WEIGHT PART No.

ENGINEERED BY.

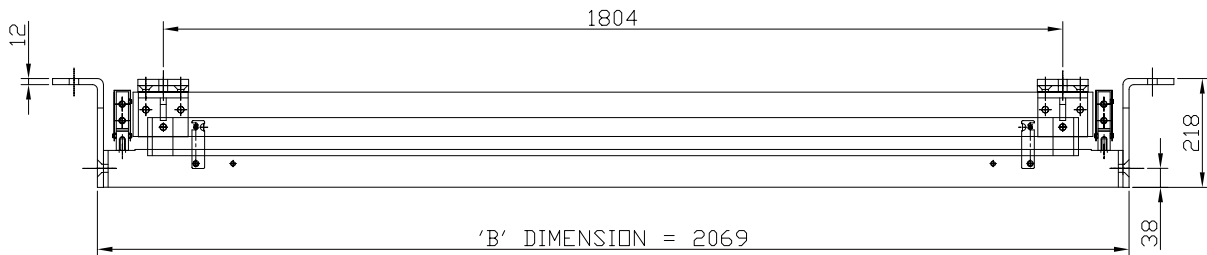
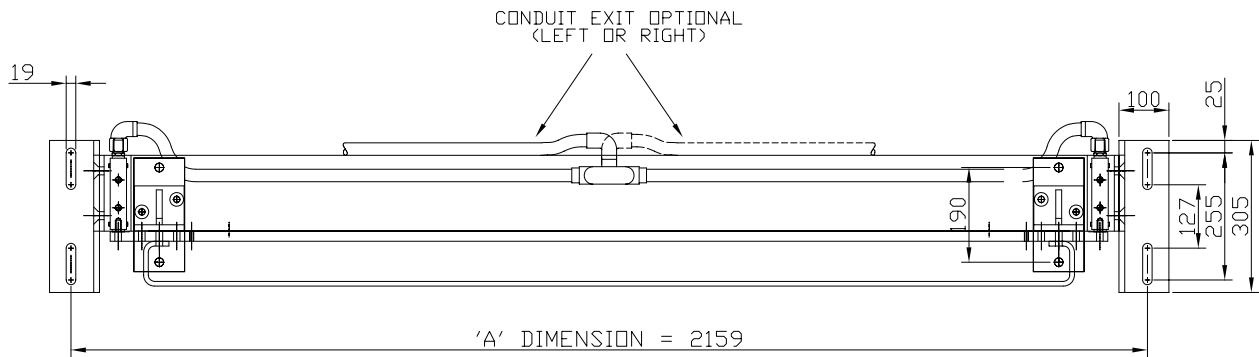
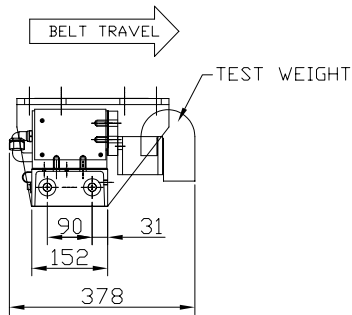
ORDER INFORMATION

CUSTOMER

YOUR REF.

OUR REF.

DATE



SUBMITTED FOR APPROVAL

PLEASE SIGN AND RETURN ONE COPY TO SIEMENS.
PRODUCTION RELEASE AND FABRICATION WILL NOT BEGIN UNTIL
SIEMENS HAVE RECEIVED APPROVAL.

*** IF THIS DRAWING IS NOT APPROVED WITHIN 24 HOURS ***
THE ORDER WILL BE PROCESSED.

APPROVED APPROVED AS NOTED REVISE AND RESUBMIT

BY: DATE:

00	FIRST ISSUE	REV_DES_0
No	DESCRIPTION	

CONFIDENTIAL
IMPORTANT NOTICE

THIS DOCUMENT REMAINS THE PROPERTY OF SIEMENS AND IS SUBJECT TO RECALL. IT MAY NOT BE COPIED, AND IS ISSUED AND CAN BE UTILIZED ONLY FOR SUCH LIMITED PURPOSES AS MAY SPECIFICALLY HAVE BEEN AUTHORIZED BY SIEMENS. IT IS TO BE MAINTAINED CONFIDENTIAL, SINCE IT MAY CONTAIN PROPRIETARY INFORMATION AND TRADE SECRETS OF SIEMENS OR OTHERS. THE ITEMS DEPICTED MAY THEMSELVES BE THE SUBJECT OF PATENTS, INDUSTRIAL DESIGN REGISTRATIONS OR COPYRIGHTS OF SIEMENS OR OTHERS, AND THE ISSUE OF THIS DRAWING DOES NOT IMPLY ANY LICENSE UNDER ANY SUCH RIGHTS.
COPYRIGHT SIEMENS
ALL RIGHTS RESERVED

SCALE:	1:1	DATE	ALL DIMENSIONS IN MM UNLESS OTHERWISE NOTED TOLERANCES UNLESS OTHERWISE NOTED 0-300 = ±0.30 ANGLE= ±0.5° 300 + = ±0.75	THIRD ANGLE
DRAWN:	B.J.G.	21/07/05	TITLE 85" MSI BELT SCALE CUSTOMER APPROVAL DRAWING	
CHECKED:				
APPROVED:				

REVISIONS		
FILE # 30279600	DRAWING NUMBER	REV
JOB No. --	3-7901559Z-DD-B	00
	SHEET OF	