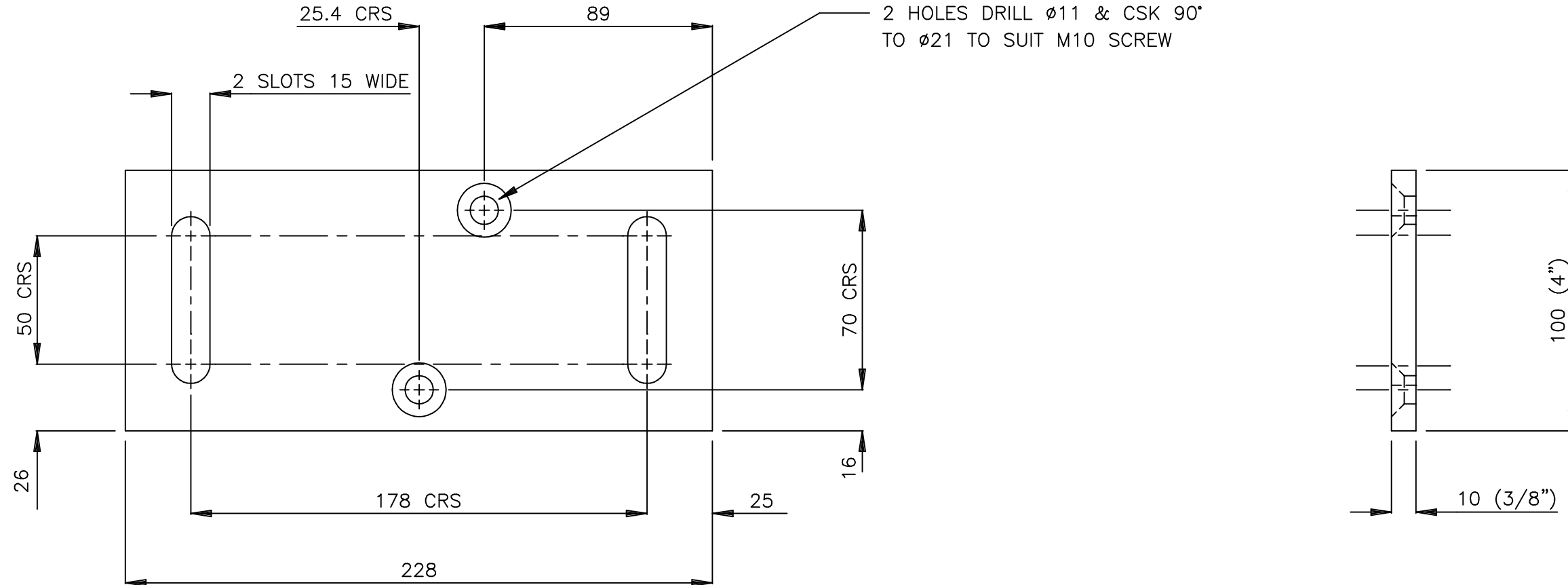


NOTES:

1. MATERIAL: 100 x 10 (4" x 3/8") FLAT.
2. FINISH: SEE TABLE FROM DETAILS
3. TWO PARTS REQUIRED PER UNIT



PART NUMBER

20338	-	0	0	
-------	---	---	---	--

	MATERIAL TYPE	FINISH
1	A36 STEEL	23651628-00
2	A36 STEEL	23651627-00
3	A36 STEEL	23651629-00
4	43A STEEL	23651626-00
5	304 SS	23651630-00
6	316 SS	23651630-00

USE DIMENSIONS ONLY - DO NOT SCALE		0	NEW STANDARD DRAWING	JLC	RDC	AUG 28/03
ALL DIMENSIONS ARE IN MILLIMETERS UNLESS OTHERWISE SPECIFIED		Rev.	Revision / ECN Description	Drawn	Appr.	Date
Third Angle Projection 	Product Group	MASS DYNAMICS		Tolerance Unless Otherwise Noted:	Scale:	Size:
	Date:	28/08/03		0-300 = ± 0.30	1:2	B
FOR INTERNAL USE ONLY	Drawn:	JLC		TITLE: IDLER PLATE MSI BELT SCALE 54" - 65" FABRICATION DETAIL		
	Checked:	RRM				
	Approved:	RDC				
	Location:	PETERBOROUGH		DRAWING No:	20338	Rev.
	SIEMENS MILLTRONICS PROCESS INSTRUMENTS INC. Peterborough, Ontario, Canada	File No.	2033800	Plot at:	1:2	Sheet 1 of 1