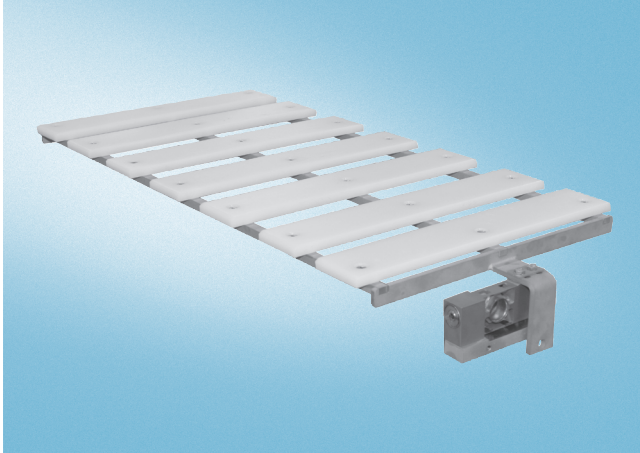


Overview



Milltronics WD600 is a light-to medium-duty slider bed belt scale used for process and load-out control in manufacturing, including the food, pharmaceutical and tobacco industries.

Benefits

- Simple installation
- Long weigh span for more retention time on load cells

Application

WD600 works with an existing flat belt conveyor and the selected Siemens integrator. As material is moving along the conveyor belt and travels over the belt scale, it exerts a force proportional to the material load through the suspended weighbridge to the load cells.

WD600 reacts only to the vertical component of the applied force. The resulting movement in each load cell is sensed by its strain gauges. When the strain gauges are excited by voltage from the electronic integrator, they produce an electrical signal proportional to weight, which is then applied to the integrator.

The vertical movement of the load cells is limited by the positive overload stop incorporated into the design of the load cell mount.

Technical specifications

Accuracy	<ul style="list-style-type: none"> • ± 0.5 to 1% totalization over 4 to 1 operating range, application dependent
Belt width	<ul style="list-style-type: none"> • 12, 18, 24, 30, 36, 42, 48" (300, 450, 600, 750, 900, 1000, 1200 mm)
Belt speed	<ul style="list-style-type: none"> • 2.0 m/s (400 fpm) maximum
Capacity	Up to 50 t/h
Conveyor incline	<ul style="list-style-type: none"> • $\pm 20^\circ$ from horizontal, fixed incline • Up to $\pm 30^\circ$ with reduced accuracy¹⁾
Conveyor idler/slider profile	<ul style="list-style-type: none"> • horizontal
Loading	<ul style="list-style-type: none"> • Minimum 1.0 kg/m (0.6 lbs/ft) • Maximum 60 kg/m (40 lbs/ft)
Load cell	
Excitation:	10 V DC nominal, 15 V DC maximum
Output:	2 mV/V (nickel-plated alloy steel version) 3 mV/V (stainless steel version)
Non-linearity:	0.02% of rated output
Non-repeatability:	0.01% of rated output
Capacity:	nickel-plated range: 10, 15, 20, 30 kg stainless steel ranges: 6 kg, 25, 50 lbs
Overload:	150% of rated capacity
Temperature:	<ul style="list-style-type: none"> • -40 to +65 °C (-40 to +150 °F) operating range • -10 to +40 °C (15 to +105 °F) compensated
Construction	<ul style="list-style-type: none"> • stainless steel construction • UMHW - PE sliders
Hazardous locations	with the use of approved Intrinsically Safe barrier strips
Approvals	CE

¹⁾ Review by Siemens application engineer required.

Continuous Weighing

Belt scales

Milltronics WD600

2

Selection and Ordering data

Order No.

Milltronics WD600

C) 7MH7185-

A low- to medium- capacity scale for light to medium belt loading.
304 stainless steel construction with UHMW polyethylene sliders. Load cells are available in nickel plated, or stainless steel. Two calibration weights are required and are ordered as separate line item. Refer to Calibration weights.

Belt width

12" (300 mm)
18" (450 mm)
24" (600 mm)
30" (750 mm)
36" (900 mm)
42" (1000 mm)
48" (1200 mm)

1
2
3
4
5
6
7

Load cell

Stainless steel

6 kg
25 lb
50 lb

A
B
C

Nickel plated

10 kg
15 kg
20 kg
30 kg

D
E
F
G

Instruction manual

English

C) 7ML1998-5KM01

Note: The instruction manual should be ordered as a separate line on the order.

This device is shipped with the Siemens Milltronics manual CD containing the complete instruction manual library.

Spare parts

Load cells

Stainless steel

6 kg
25 lb
50 lb

PBD-23900223
PBD-23900224
PBD-23900225

Nickel plated

10 kg
15 kg
20 kg
30 kg

A5E00826932
A5E00826933
A5E00826934
A5E00826935

Calibration Weights

200 g
500 g
1000 g
2000 g
3500 g
5000 g
7500 g
8500 g
10000 g
12000 g
15000 g

7MH77241AF
7MH77241AG
7MH77241AH
PBD-20568-10
PBD-20568-80
PBD-20568-20
PBD-20568-30
PBD-20568-40
PBD-20568-50
PBD-20568-60
PBD-20568-70

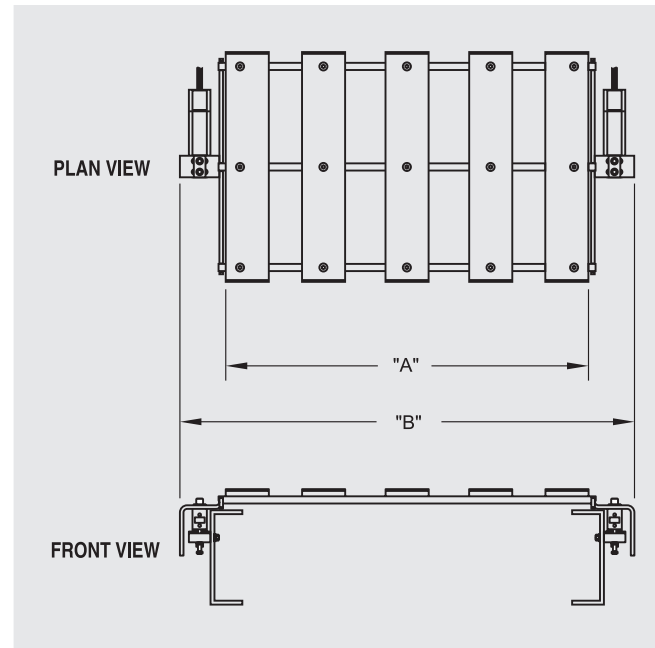
Terminal Boxes

Terminal Box, Load cell/Speed Sensor, 150 mm W x 150 mm L x 100 mm D NEMA 4 /IP65 Enclosure
Terminal Box, Stainless steel, Loadcell/Speed Sensor, 150 mm W x 150 mm L x 100 mm D NEMA 4/ IP65 Enclosure

7MH77261AB
7MH77261AC

C) Subject to export regulations AL: N, ECCN: EAR99

Dimensional drawings

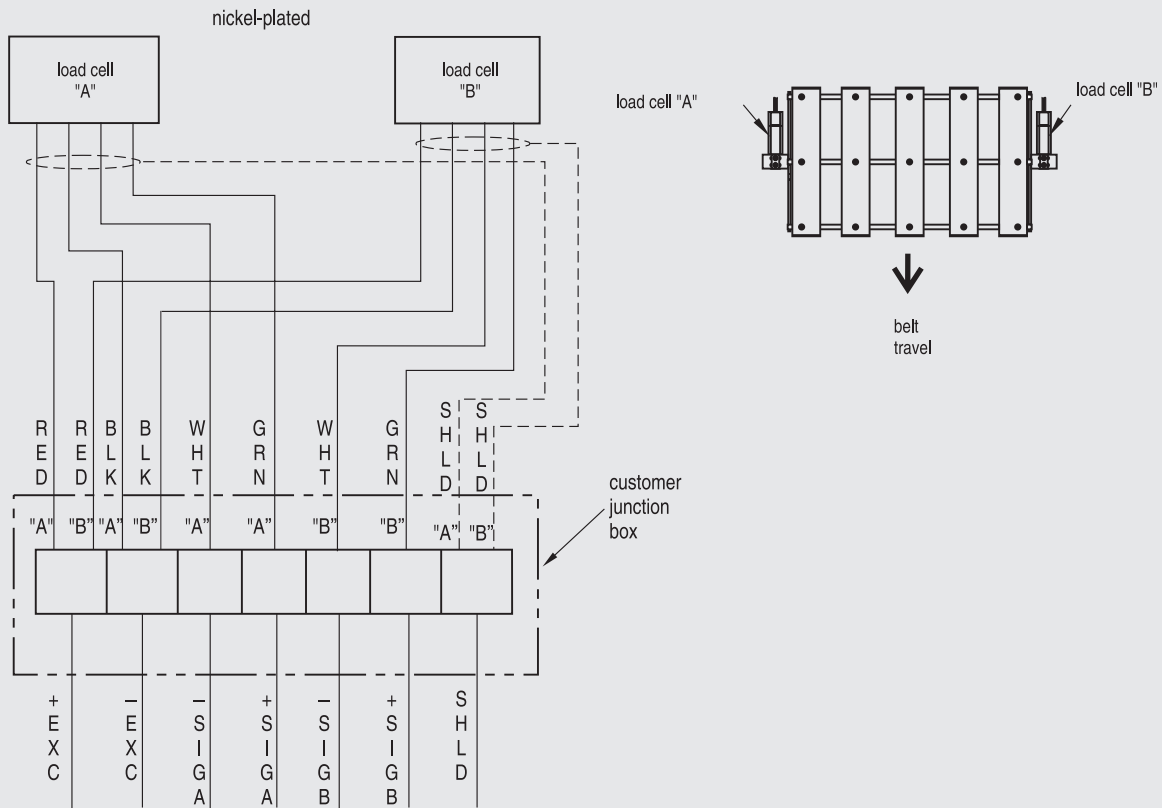


WD600 dimensions

Belt Width	A	B
12" (300 mm)	13.25" (330 mm)	20.25" (510 mm)
18" (450 mm)	19.25" (485 mm)	26.25" (665 mm)
24" (600 mm)	25.25" (640 mm)	32.25" (815 mm)
30" (750 mm)	31.25" (790 mm)	38.25" (970 mm)
36" (900 mm)	37.25" (945 mm)	44.25" (1120 mm)
42" (1000 mm)	43.25" (1095 mm)	50.25" (1275 mm)
48" (1200 mm)	49.25" (1250 mm)	56.25" (1425 mm)

Schematics

2



to integrator

stainless steel

